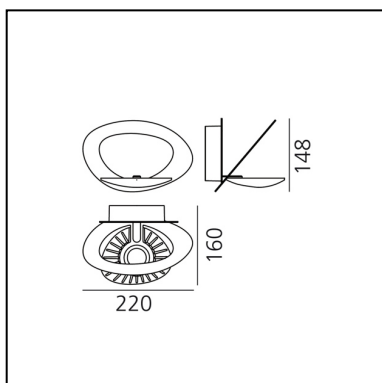


Pirce Micro Wall - 2700K - White

Giuseppe Maurizio Scutellà



IP20     Dimmbar: +  - 



LUMINAIRE

- Watt: **27W**
- Spannung (V): **220V-240V**
- Lichtstrom (lm): **2586lm**
- CCT: **2700K**
- Efficiency: **97%**
- Efficacy: **95.78lm/W**
- CRI: **90**
- Dimmable Typology: **Push**

BESCHREIBUNG

Pirce's award-winning design is one of Artemide's top sellers. Originally released in halogen, its light source has been reimagined to incorporate a high quality, energy-efficient LED light source.

Pirce is not only an elegant light source, it is an alluring decoration with a strong sense of presence turned on or off. Its slim disc merges softly into flowing swirls that spiral downwards to create alluring lighting effects.

ARTIKELNUMMER: 1248W10A

FUNKTIONEN

- Artikelnummer: **1248W10A**
- Farbe: **White**
- Installation: **Wandleuchte**
- Material: **Aluminum**
- Serie: **Design Collection**
- Anwendungsbereich: **Innenbeleuchtung**
- Einsatzbereich: **Residential**
- Lichtverteilung: **indirekt**
- design: **Giuseppe Maurizio Scutellà**

DIMENSION

- Länge: **cm 22**
- Breite: **cm 16**
- Höhe: **cm 14.8**
- Glühdrahttest: **650°**

INKLUSIVE LICHTQUELLEN

- Kategorie: **Led**
- Anzahl: **1**
- Watt: **27W**
- Farbtemperatur(K): **2700K**
- CRI: **90**