

Smartphone PROJECTOR



FREQUENTLY ASKED QUESTIONS



Scan to see instructional video, or visit
WWW.SMARTPHONEPROJECTOR.CO

What is a Smartphone Projector?

The Luckies Smartphone Projector is made from card, and features an 8 x magnification lens that projects any image, static or moving, from your smartphone, onto a smooth surface. It is slight, portable, simple to construct and cost effective.

Do I need anything other than the product itself to start projecting my images and movies?

Only glue to construct it. Everything else is included, even some magic phone gripping stuff! Oh actually you'll need to provide the phone... we're good, but not that good!

What if I want to play a film, and the batteries in my phone won't last long enough?

We've designed a nifty little hole into the side of the projector, perfectly sized for a charging cable to fit through, so as long as you're near a plug you can project infinitely! However, please remember that you shouldn't leave your phone in the projector unattended as it could get hot and overheat.

What if the image is blurry?

You'll need to focus the image by varying the distance between the lens and your phone. Pull out and make the projector longer when focusing on a closer surface, and push in and make the projector smaller to create a crisper image on a more distant surface. Please bear in mind for best results, a distance of 1-2 metres between the lens and the surface you're projecting on to is recommended.

The image is projected upside down - how do I correct it?

You'll need to lock your screen on a horizontal axis but inverted. For instructions see below:

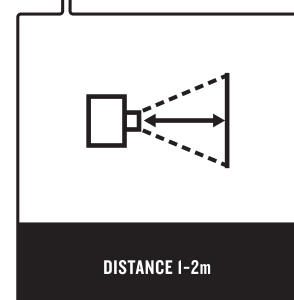
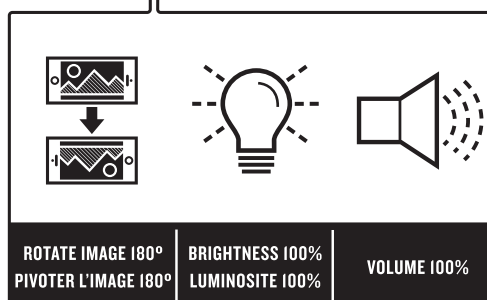
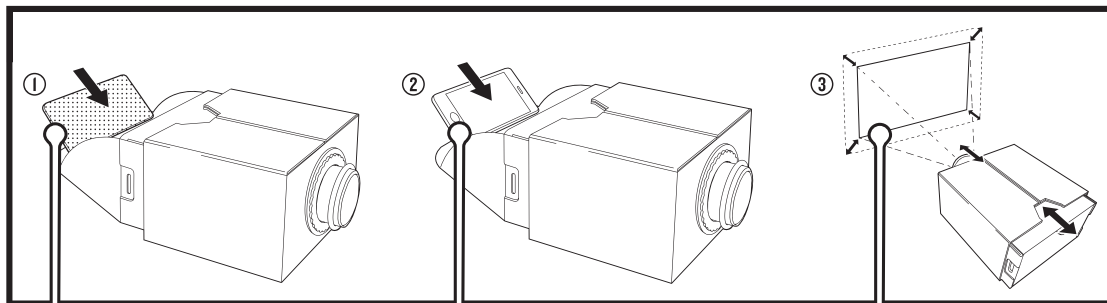
HOW TO FLIP YOUR SCREEN IMAGE

- ① Go to Google Play™
- ② Download 'Ultimate Rotation Control'
- ③ Open app from homescreen
- ④ Under 'Global Rotation' select 'Reverse Landscape'
- ⑤ De-Select 'Enable per App settings'

Android™

- ① Go to 'Settings', 'General', 'Accessibility'
- ② Enable 'AssistiveTouch' feature
- ③ Go to your video, and turn phone into landscape orientation
- ④ Touch the floating 'Assistive Touch' button
- ⑤ Select 'Device', 'Rotate Screen' & choose either 'Left' or 'Right'

iOS 7



Smartphone PROJECTOR

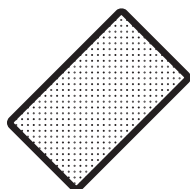


GOT MORE QUESTIONS?



HAVING TROUBLE CONFIGURING YOUR PHONE FOR SMARTPHONE PROJECTOR?

Please visit
www.smartphoneprojector.co and navigate to 'BUY NOW', 'FAQs'.



HAVING TROUBLE WITH YOUR SMARTPHONE STICKY PAD?

The sticky pad features microsuction technology to grip your phone tightly. When you remove your phone from the pad, be firm and careful. The pad does not use glue and will not damage your phone (it may leave a light pattern imprint, but this just rubs off) or the projector.



HAVING TROUBLE WITH YOUR SMARTPHONE LENS?

For best results ensure the convex end of your lens is facing outwards when inserted into the tube.



HAVING TROUBLE SEEING YOUR PROJECTION?

Please ensure your phone brightness is set to 100%. If necessary, you can download an app to enhance your screen brightness.



STILL HAVING TROUBLE SEEING YOUR PROJECTION?

Ensure you are viewing your projection in a darkened room. The darker the room the better the projection. Please also allow your eyes a few minutes to adjust to the darkness.

PLEASE NOTE



If your video was filmed in portrait mode it will not play full screen in landscape mode.

LUCKIES OF LONDON LTD

☎ 0044 (0) 845 230 3533

🌐 www.luckies.co.uk

✉ info@luckies.co.uk

Luckies
ESTD 2005

LUCKIES OF LONDON USA INC.

☎ 001 866 829 8009

🌐 www.luckiesoflondon.com

✉ customercare@luckiesoflondon.com