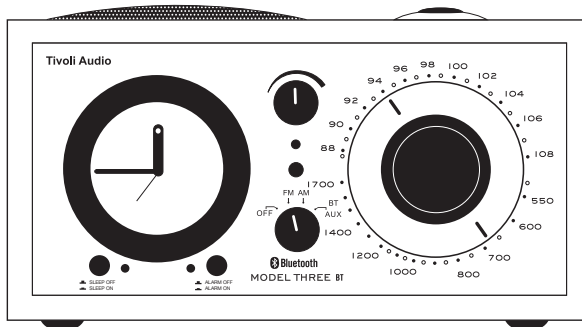


MODEL THREE™ BT

AM/FM CLOCK RADIO

 Bluetooth®

OWNER'S MANUAL



Tivoli Audio™

MODEL THREE™ BT

AM/FM CLOCK RADIO

English.....	05
Dansk	15
Deutsch	25
Español.....	36
Français.....	47
Italiano	58
Nederlands	69
Norsk	80
Suomi	90
Svenska.....	100



This symbol is intended to alert the user to the presence of uninsulated “dangerous voltage” within the product’s enclosure that may be of sufficient magnitude to constitute a risk of electric shock to persons.



This symbol is intended to alert the user to the presence of important operating and maintenance (servicing) instructions in the literature accompanying the appliance.

Important Safety Instructions

1. Read these instructions.
2. Keep these instructions.
3. Heed all warnings.
4. Follow all instructions.
5. **WARNING** – To reduce the risk of fire or electric shock, do not expose this apparatus to rain or moisture.
6. Clean only with a dry cloth.
7. Do not block any ventilation openings. Install in accordance with the manufacturer’s instructions.
8. Do not install near any heat sources such as radiators, heat registers, stoves, or other apparatus (including amplifiers) that produce heat.
9. Do not defeat the safety purpose of the polarized or grounding-type plug. A polarized plug has two blades with one wider than the other. A grounding type plug has two blades and a third grounding prong. The wide blade or the third prong is provided for your safety. If the provided plug does not fit into your outlet, consult an electrician for replacement of the obsolete outlet.
10. Protect the power cord from being walked on or pinched particularly at plugs, convenience receptacles, and the point where they exit from the apparatus.
11. Only use attachments/accessories specified by the manufacturer.
12. Use only with the cart, stand, tripod, bracket, or table specified by the manufacturer, or sold with the apparatus. When a cart is used, use caution when moving the cart/apparatus combination to avoid injury from tip-over.
13. Unplug this apparatus during lightning storms or when unused for long periods of time.
14. Operate this product only from the type of power source indicated on the rear panel. For products using an external power supply, use an exact replacement if lost or damaged. For products operating from battery power, refer to the user manual.



15. Unplug this product from the wall outlet and refer servicing to qualified service personnel under the following conditions:
 - a. When the power supply cord or plug is damaged.
 - b. If liquid has been spilled or objects have fallen into the product.
 - c. If the product has been exposed to water or rain.
 - d. If the product does not operate normally by following the operating instructions.
 - e. If the product has been dropped or damaged in any way.
 - f. When the product exhibits a distinctive change in performance.
16. When replacement parts are required, be sure the service technician has used replacement parts specified by the manufacturer, product is in proper operating condition.
17. Upon completion of any service, ask the service technician to perform safety checks to confirm the product is in proper operating condition.
18. Keep this product a safe distance away from naked flame, such as a lit candle.
19. Apparatus shall not be exposed to dripping or splashing and no objects filled with liquids, such as vases, shall be placed on the apparatus.
20. The recommended operating temperature range is 41°F to 104°F (5°C to 40°C).
21. The 12 VDC input is suited for using an optional 12 VDC, 2 A fused adapter.
22. WARNING – The mains are not disconnected in the off position, but the circuits are de-powered.
23. Canada complies with RSS210, ICES-003.
24. The power supply plug serves as the disconnect device and should remain readily accessible.



WARNING: THE MODEL THREE BT EXTERNAL ANTENNA IS NOT INTENDED TO BE DETACHED.



This product can be recycled. Products bearing this symbol must NOT be thrown away with normal household waste. At the end of the product's life, take it to a collection point designated for recycling of electrical and electronic devices. Find out more about return and collection points through your local authority.

The European Waste Electrical and Electronic Equipment (WEEE) Directive was implemented to dramatically reduce the amount of waste going to landfills, thereby reducing the environmental impact on the planet and on human health. Please act responsibly by recycling used products. If this product is still useable, consider giving it away or selling it.

Model Three BT Instructions

Congratulations on your purchase of the Model Three BT. We believe the Model Three BT to be one of the finest AM/FM clock radios available. With the addition of *Bluetooth* wireless technology, you can stream your music wirelessly to the Model Three BT.

In order to take full advantage of what your new Model Three BT is capable of, please take a moment to fully read this owner's manual. If you have any questions, do not hesitate to contact your dealer or Tivoli Audio directly.

Please save the carton and original packing should you ever need to ship your radio, as shipping damage is not covered by the factory warranty.

On behalf of all of us, thank you for choosing Tivoli Audio and enjoy your new Model Three BT!

About Tivoli Audio

Tivoli Audio was founded by Tom DeVesto with the mission of bringing simple to use, elegantly designed, high quality audio products to consumers. As CEO and head of research and development at his former company, Cambridge SoundWorks, Tom was responsible for the development of many of the best selling home entertainment and multi-media products on the market. He also held senior management positions in product development at both Advent and Kloss Video.

*Cambridge SoundWorks is a registered trademark of Creative Labs, Singapore.

Packed with your Model Three BT you should find one each:

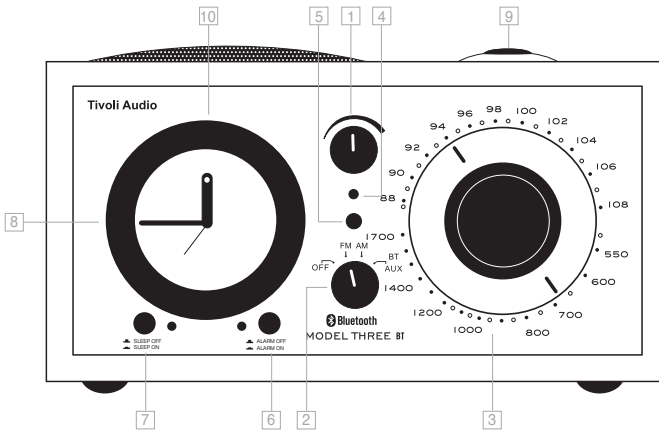
- One (1) FM wire antenna OR one (1) attached FM telescoping antenna (depending on country)
- One (1) External Power Supply
- One (1) "AA" Battery

Please contact your dealer or Tivoli Audio if any of these items are missing.

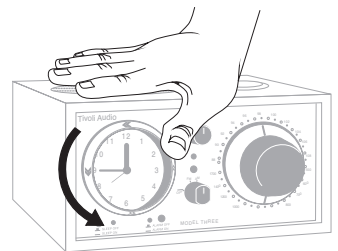
Getting Started

- Insert the included "AA" battery inside the rear battery compartment (observing correct polarity).
- Push the rear "Time Set" button until the clock is set to the correct time.
- Insert the external power supply's connector into the rear power input and plug the other end into a wall outlet.
- Turn the Model Three BT On to FM or AM, tune to a station, and adjust the volume to the desired level.

Guide To Features (Front Panel)



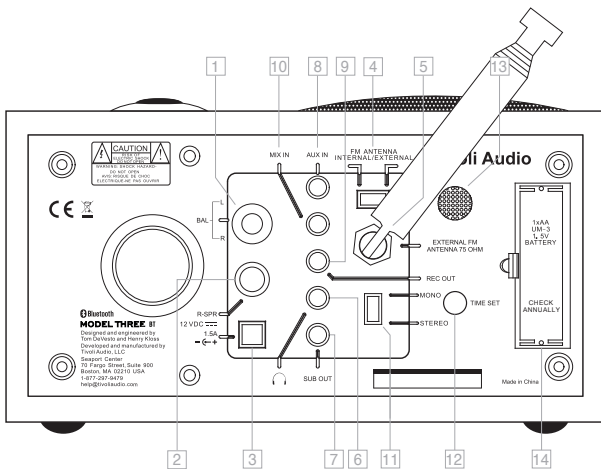
1. **VOLUME:** Turn the volume knob to the right to increase the volume or to the left to decrease the volume. This knob will also control the volume of headphones (not included) when connected. If the volume ever sounds distorted, reduce the level to prevent damage to the speaker.
2. **SOURCE KNOB:** Turn the knob 1 click to the right to select the FM band, 2 clicks to the right to select the AM band, or 3 clicks to the right to select the auxiliary input. To activate *Bluetooth*, switch to the Auxiliary position and follow the steps outlined in the “*Bluetooth Operation*” section.
3. **TUNING DIAL:** Turn the analog tuning dial to the right or to the left to change the AM and FM frequency range.
4. **POWER LIGHT:** Glows green when the Source knob is in any position other than Off, except when the Alarm button is activated.
5. **TUNING INDICATOR:** Brightest when best tuning has been achieved. Some listenable AM stations will not light the tuning indicator and should be tuned by ear for the clearest signal.
6. **ALARM:** Once you have set the wake-up time using the Alarm Thumbwheel, push this button in to activate the alarm and the corresponding green LED will light. The LED will remain lit until the Alarm button is turned off. Push the Alarm button out to deactivate the alarm and the LED will extinguish.
7. **SLEEP:** Turn the source knob to AM or FM, set the radio to a station you wish to fall asleep to and adjust the volume to the desired level. Press the Sleep button and the corresponding green LED will light. The radio will turn off automatically after approximately 20 minutes. The LED will remain lit until the Sleep button is turned off.
8. **ALARM THUMBWHEEL:** Rotate the aluminum Thumbwheel counterclockwise until the Alarm hand points to the designated time you wish to wake to. **Do NOT turn the Thumbwheel clockwise or you may damage the mechanism.**



9. **SNOOZE (TOP OF CABINET):** When the Alarm sounds, press, hold, and then release the Snooze button to silence the Alarm for approximately 5 minutes. After 5 minutes, the alarm will automatically resume. The Snooze time is not adjustable.
10. **CLOCK:** This quartz analog clock features a fine mechanical quartz movement for superb accuracy. The clock operates off of a single “AA” battery so power failures will not affect the clock’s accuracy. Check the battery annually so the clock remains accurate. The clock’s illumination cannot be turned off or adjusted. It is normal for the light to take several seconds to extinguish if the power supply is disconnected.

Important Note: Due to the nature of the alarm thumbwheel’s analog mechanism, which was designed for simplicity, there can be up to a five-minute deviation from when the alarm activates. For example, if the alarm is set for 10:00, it is possible it could activate at 9:55 or 10:05. We recommend you set the alarm early the first time you use it to accommodate for this. As you use your Model Three BT you will get a better idea of where you need to set the alarm in order to wake-up at the desired time.

Guide To Features (Rear Panel)



1. **BALANCE:** With the Stereo or Dual Alarm Speaker (sold separately) connected, set the Mono/Stereo switch to Stereo. Turn the balance knob upward to hear the left (main unit) speaker, or downward to hear the right (Stereo) Speaker. The center detent provides equal balance between the two speakers.
2. **R SPR:** Connect the male RCA cable from the right Stereo Speaker or Dual Alarm Speaker (sold separately) to this input and switch the Stereo/Mono switch to Stereo. Connecting a speaker other than the Tivoli Audio Stereo or Dual Alarm Speaker will void your warranty and possibly damage your unit.
3. **12VDC:** Connect the included AC power supply to this input or use an optional DC power supply. Do not connect the power supply to an electrical outlet controlled by a switch because if the switch is turned off by mistake, the alarm will not wake to the radio when set. **Use only the power supply provided with this product.** Should the power supply get damaged or misplaced, use only a like replacement. The connector is 5.5 mm/2.1 mm center positive.

4. **FM ANTENNA SWITCH:** Switch between internal and external FM antennas. This switch has no affect on AM reception. In some cases, FM reception may be improved by setting this antenna switch to External.
5. **EXTERNAL FM CONNECTION:** When listening to FM, depending on your country, slide the included wire antenna over this F connector, or adjust this telescoping antenna and position it for best reception. In strong FM signal locations, reducing the antenna's length may provide better reception. When the unit is not in use or when listening to AM, keep the antenna retracted to protect it. This antenna has no affect on AM reception. For more, see the section marked "Reception".
6. **HEADPHONE OUT:** Connect a headset (not included) to this variable stereo output for private listening. The headset will mute the primary speaker. The headset's volume is adjusted using the volume knob. This stereo output accepts a 3.5 mm stereo male mini connector. Avoid using headphones at high volume levels to prevent possible hearing damage.
7. **SUB OUT:** Connect the audio cable from the optional Tivoli Audio Model Subwoofer (or other compatible subwoofer) to this output. This jack accepts a 3.5 mm stereo male mini connector.
8. **AUX IN:** To hear audio from another device, such as a CD player, MP3 player, or computer, connect said device's audio output to this stereo input and switch the front source knob to Aux. Switching to the Aux position does not turn on the connected device. This stereo input accepts a 3.5 mm stereo male mini connector. The AUX IN jack is unavailable when a *Bluetooth* device is connected. You must first disconnect any *Bluetooth* device to use the wired AUX IN function.
9. **REC OUT:** You can record from the Model Three BT radio by connecting a cassette deck's audio input (or other recording device) to this fixed level stereo output. You can also use the Model Three BT radio as a high performance analog tuner by connecting it to the audio input of a pre-amplifier or integrated amplifier. The primary speaker will not be muted when using this output. This jack accepts a 3.5 mm stereo male mini connector.
10. **MIX IN:** Connect the audio output of another device, such as a computer, to this input to hear the audio mixed in with the FM or AM tuner. With the Model Three BT in Auxiliary mode, this input acts as a second Auxiliary input. This stereo input accepts a 3.5 mm stereo male mini connector. The volume level is controlled by the source device.
11. **MONO/STEREO:** This switch should remain in the Mono position unless the right Stereo or Dual Alarm Speaker (sold separately) is connected, in which case the Stereo position should be selected. If you are using the companion speaker and have the switch set to Stereo, you may wish to experiment with this switch during radio listening, as the Mono position may help to clean up FM static noise. The Headphone and Record outputs are Stereo and are not affected by this switch, unless the Source knob is set to AM (which is always Mono) or FM and this switch is set to Mono.
12. **TIME SET:** Briefly press and release this button to advance the hands in small increments. Press and hold this button to continuously advance the clock's hands. Release the button when the clock is set properly. Be sure the alarm button is in the Off position when setting the time.
13. **ALARM GRILLE:** The alarm beep emits from this grille. Do not block this grille.
14. **BATTERY BACK UP:** Remove the battery cover and install a fresh major brand 1.5V "AA" alkaline battery, observing correct +/ - polarity. The clock operates off of the battery continuously and the battery also acts as a back up. In the event of a power failure, the battery back up will maintain the clock's operation and sound the wake-up tone if the alarm button is in the On position, provided a fresh battery is correctly installed. The clock face will not illuminate and the radio will not operate during a power failure in order to conserve battery life. Check the battery's strength

annually and replace only with a major brand, 1.5V “AA” alkaline battery. If the clock stops operating, replace the battery. Discard spent batteries according to your state/country’s regulations. Remove the battery if the Model Three BT is to be stored or unused for a long period of time.

Bluetooth Operation

Prior to pairing, verify your device supports *Bluetooth* 2.1+EDR A2DP and your device is not connected to any other *Bluetooth* product. Devices may pair differently. Below is a general guide.

1. Turn on the Model Three BT to the Auxiliary position. This will power on the *Bluetooth*. Turn the volume up about $\frac{1}{4}$ to start. Also turn up the volume on the source device (the device you are streaming from).
2. Turn on the *Bluetooth* wireless technology on your enabled device.
3. Select “Tivoli *Bluetooth* (Not Paired)” when it appears on your device’s screen to initiate searching. Some devices may prompt you for a PIN. If so, enter “0000”. “Tivoli *Bluetooth*” will change from “Not Paired” to “Connected”.
4. You will hear a ring tone from the Model Three BT confirming connection and you can begin playing your music files wirelessly. Adjust the volume level on your device. You should not have to pair your device again. **Depending on your device, you may need to make multiple attempts at Pairing and/or Connecting to the Model Three BT, but please give your device adequate time to Pair or Connect before repeating the process.**

Pairing A Bluetooth Wireless Technology Enabled iPhone/iPod Touch/iPad

1. Turn on the Model Three BT to the Auxiliary position. This will power on the *Bluetooth*. Turn the volume up about $\frac{1}{4}$ to start. Also turn up the volume on the source device (the device you are streaming from).
2. Select “Settings” (depending on software version).
3. Select “General”.
4. Select “*Bluetooth*”.
5. Switch *Bluetooth* “On” to initiate searching.
6. Select “Tivoli *Bluetooth* (Not Paired)” when it appears on the display. If you are prompted to enter a PIN, enter “0000”. “Tivoli *Bluetooth*” will change from “Not Paired” to “Connected”.
7. You will hear a ring tone from the Model Three BT and you can begin playing your music files wirelessly. Adjust the volume level on your device. You should not have to pair your iPhone/iPod/iPad again.

The volume output level of music files varies. If you prefer an even higher output level, check the settings in your iPhone/iPod touch/iPad: Set the EQ Off, the SoundCheck Off, and the Volume limit Off.

If you encounter a problem Pairing, press the small arrow to the right of “Tivoli *Bluetooth*” on your iPhone/iPod touch/iPad display and select “Forget this Device”, then repeat the Pairing process. **Depending on your device, you may need to make multiple attempts at Pairing and/or Connecting to the Model Three BT, but please give your device adequate time to Pair or Connect before repeating the process.**

When streaming music, you can press the blue arrow to the right of the next track button >>/ on the iPhone/iPod touch/iPad display to alternate between the iPhone/iPod/iPad and *Bluetooth*.

NOTE:

- The Model Three BT will remember pairing information for up to 8 devices. Additional devices can be paired, but the least-recently used device will be replaced by the newly paired device.
- If the audio drops out or stops during playback, move your device closer to the Model Three BT, or check to be sure another wireless device is not interfering with the signal.
- When switching from *Bluetooth* to AM or FM, you may need to re-adjust (lower) the radio's volume level.

Reception

The internal FM and AM antennas will provide good reception. For AM, rotate the radio for best reception. An optional AM wireless antenna may provide improved AM reception.

Buildings made with concrete, steel, or aluminum siding will hinder reception. Household appliances, electric blankets, computers, CD players, and other electronic devices can also adversely affect reception or inject noise. If you experience this, move the Model Three BT radio further from the offending device or plug it into an electrical outlet not shared by another device. Metal surfaces may also hinder AM reception.

Placement

Place the unit on a flat, stable surface. Placement in a bookcase, cabinet, or close to walls or corners may inflate the bass.

Cleaning

Never use any harsh cleansers or solvents on your radio. Avoid spray-on waxes. Unplug the Model Three BT radio prior to cleaning. The face may be cleaned with a slightly damp, soft cloth. Painting or staining the wood cabinet will void your warranty.

NOTE: Tivoli Audio cabinets use real wood veneers. Since natural wood varies greatly, it is not possible to achieve an exact wood color/grain match between models. You may also notice the wood darken over time with exposure to sunlight. Again, this is normal for real wood.

It is also possible dyed veneers such as blue, red, etc., could fade from exposure to sunlight. This is not covered under the warranty.

Limited Warranty

Tivoli Audio manufactures its products to very high standards and we are confident our products will perform well. Accordingly, we provide a limited warranty on this product against manufacturing defects in material and workmanship to the original owner. This warranty is non-transferable.

Products purchased in the European Union and Norway have a minimum warranty term of two years. For countries where minimum warranty terms are determined by statute, the warranty term is the statutory period required. In all other locations, the warranty term is one year.

This Limited Warranty covers the functionality of the product for its normal, intended use as specified in this Owner's Manual. It does not cover a malfunction or damage that has resulted from improper or unreasonable use or installation, using the charger to charge alkaline batteries, faulty ancillary equipment, modifications, unauthorized repair, shipping damage or loss, abuse, accidents, use on improper voltage/current, power surges, lightning or other acts of God, excess moisture, normal wear and tear, commercial use, or purchase from unauthorized dealers. Proof of purchase as evidence the unit was purchased from an authorized dealer may be required for warranty service.

Please contact the dealer of purchase or local distributor for warranty service or repair.

Please refrain from opening this product or taking it apart as doing so will void this Limited Warranty. There are no user serviceable parts inside. Tivoli Audio will not pay for costs incurred due to correction of reception problems, elimination of externally generated static/noise, loss of time, inconvenience, loss of use of product, or damage caused by improper use of this product.

In the event the product is returned during the warranty term and is eligible for service under this Limited Warranty, we will repair or replace any defective parts within a reasonable period of time and free of charge.

THIS LIMITED WARRANTY GIVES YOU SPECIFIC LEGAL RIGHTS SUBJECT TO SPECIFIED CONDITIONS. YOU MAY ALSO HAVE OTHER LEGAL RIGHTS WHICH APPLY TO THE PRODUCT YOU HAVE ACQUIRED. THESE LEGAL RIGHTS VARY FROM COUNTRY TO COUNTRY. SOME PLACES DO NOT ALLOW THE EXCLUSION, RESTRICTION, OR MODIFICATION OF CERTAIN IMPLIED RIGHTS OR THEIR EFFECT. IN THOSE SITUATIONS THIS LIMITED WARRANTY WILL ONLY APPLY TO THE EXTENT THAT THE APPLICABLE LAW ALLOWS.

The laws of your country may provide you with legal claims against the seller or manufacturer of this product. This Limited Warranty does not affect those rights.

The provisions of the Limited Warranty are in lieu of any other warranties or conditions, except those provided by law. This Limited Warranty does not affect any legal rights provided to you by law and does not preclude any remedy you may have under law.

In countries where liability limits are not precluded by statute, the maximum liability of Tivoli Audio shall not exceed the purchase price paid by you for the product. In countries where limitations of liability are precluded by law, Tivoli Audio shall be liable for no more than the direct damages for bodily injury, and/or real or personal property arising from the negligence of Tivoli Audio.

Where not prohibited by law, Tivoli Audio shall not be liable for special, incidental, consequential, or indirect damages. Some places do not allow limitations on the exclusion or limitation of relief, special, incidental, consequential or indirect damages, or the limitation of liability to specified amounts, so the above limitations or exclusions may not apply to you.

This Limited Warranty is void if the label bearing the serial number has been removed or defaced.

If you purchased an extended service contract from your dealer and service is required after the term of this Limited Warranty has expired, please contact your extended service contract provider to obtain service.

For your convenience, you may register your product for warranty service online at our website, www.tivoliaudio.com. There is no legal obligation for you to provide personal information. However, such information allows us to maintain a record of the Tivoli Audio products acquired by you and better understand the purchasers of our products. The information collected will be used for marketing purposes by Tivoli Audio and, where permitted, to contact you in relation to the products you have acquired or other products which might be of interest to you from Tivoli Audio or other companies. The information that you provide may be processed in another country.

Specifications

Model:	Tivoli Audio Model Three BT
Type:	Quartz analog clock AM/FM radio with <i>Bluetooth</i> wireless technology
Drivers:	One 76.2 mm (3") full range driver, video shielded
Power Supply:	M3-PS, 12 VDC, 1.5 A, 120V-60 Hz (UL); 230 V-50 Hz (CE)
Clock Battery:	AA/UM-3 1.5 V Alkaline
Dimensions:	21.27 cm W x 11.43 cm H x 13.34 cm D (8.375" W x 4.5" H x 5.25" D)
Weight:	1.70 kg (3.75 lb.)

Specifications subject to change without notice.

Tivoli Audio reserves the right to make product changes without notice.

Tivoli Audio, the Tivoli Audio logo, and Model Three are trademarks of Tivoli Audio, LLC. The *Bluetooth* word mark and logos are registered trademarks owned by Bluetooth SIG, Inc. and any use of such marks by Tivoli Audio is under license. iPod, iPod touch, iPhone, and iPad are trademarks of Apple Inc., registered in the U.S. and other countries. Other trademarks and trade names are those of their respective owners.





Dette symbol har til formål at gøre opmærksom på, at der inde i dette produkt forekommer steder med uisoleret strøm, og som følge deraf kan forårsage alvorlig elektrisk stød ved berøring.



Dette symbol har til formål at gøre opmærksom på, at der i brugervejledning til dette produkt er nøje specificeret, hvordan produktet skal anvendes og serviceres såfremt der opstår fejl.

Vigtige Sikkerhedsinstrukser

1. Læs disse instrukser.
2. Gem disse instrukser.
3. Lyt til alle advarsler.
4. Følg alle instrukser.
5. ADVARSEL – For at nedsætte risikoen for brand eller elektrisk chok, må dette apparat ikke udsættes for regn eller fugt.
6. Rengøres kun med en tør klud.
7. Bloker ikke ventilationsåbninger. Installer i overensstemmelse med fabrikantens instrukser.
8. Må ikke installeres nær andre varmekilder så som radiatorer, varmeriste, ovne eller andre apparater (inklusive forstærkere) som producerer varme.
9. Omgå ikke sikkerhedsformålet med et polariseret eller jordforbindelsesstik. Et polariseret stik har to blade og det ene blad er bredere end det andet. Et jordforbindelsesstik har to blade og et tredje jordforbindelsesben. Det brede blad på det tredje ben er der for din sikkerhedsskyld. Hvis det medførende stik ikke passer ind i din stikkontakt, bedes du kontakte en elektriker for at udskifte den forældede stikkontakt.
10. Beskyt strømkablet så man ikke kan træde på det eller klemme det især ved stik, stikdåser og der hvor de er tilsluttet apparatet.
11. Brug kun de vedhæftelser/tilbehør som fabrikanten har specificeret.
12. Må kun bruges sammen med det rullebord, den stand, det stativ, det beslag eller bord som fabrikanten har specificeret, eller som blev solgt sammen med apparatet. Når man bruger et rullebord skal man være forsigtig, når man flytter apparatet på rullebordet, så man undgår skade hvis det tipper.
13. Træk stikket ud på apparatet i tordenvej eller hvis det ikke bruges i længere tid.
14. Brug kun dette produkt fra den type strømkilde, som er indikeret på bagpanelet. For produkter som bruger en ekstern strømforsyning skal man erstatte den med en identisk strømforsyning, hvis den forsvinder eller beskadiges. For produkter som bruger batteristrøm henvises til brugermanualen.



15. Træk produktet ud af stikkontakten og kontakt en kvalificeret servicetekniker for service i følgende tilfælde:
 - a. Hvis strømkablet eller stikket er beskadiget.
 - b. Hvis der er spildt væske eller hvis der er kommet noget i produktet.
 - c. Hvis produktet er blevet udsat for vand eller regn.
 - d. Hvis produktet ikke fungerer normalt, når man følger brugsanvisningerne.
 - e. Hvis man har tabt produktet, eller det på nogen måde er blevet beskadiget.
 - f. Når produktets performance ændrer sig i betydelig grad.
16. Når det er nødvendigt at bruge reservedele, skal du sørge for at serviceteknikeren bruger de reservedele, som fabrikanten specificerer eller at de har samme karakteristika som den originale del. Uautoriserede erstatninger kan forårsage brand, elektrisk chok eller andre farer.
17. Når der er blevet udført service, skal du bede serviceteknikeren om at udføre sikkerhedstjek for at bekræfte at produktet fungerer korrekt.
18. Hold sikker afstand mellem dette produkt og åben ild så som et tændt stearinlys.
19. Apparatet må ikke udsættes for dryp eller stænk og ting der er fyldt med væske, så som en vase, må ikke stilles på apparatet.
20. Den anbefalede temperatur for brug er mellem 5°C og 40°C (41°F - 104°F).
21. 12 VDC inputtet er passende hvis man bruger dette produkt i en båd eller campingvogn ved at benytte en valgfri 12 VDC, 2 A sikringsadapter.
22. ADVARSEL – Forsyningsnettet er ikke frasluttet, når det står på "off", men der er ingen strøm i kredsløbene.
23. Canada overholder RSS210, ICES-003.
24. Strømadapteren fungerer som en fraslutningsanordning og skal altid være let tilgængelig.



ADVARSEL: DEN PÅMONTEREDE MODEL THREE BT ANTENNE ER IKKE BEREGNET TIL AT BLIVE TAGET AF.



Dette produkt kan genbruges. Produkter med dette symbol må IKKE smides væk sammen med almindeligt husholdningsaffald. Når du vil smide produktet ud, bedes du tage det til et indsamlingssted for genbrug af elektriske og elektroniske anordninger. Få mere information om steder for returnering og indsamling hos din lokale myndighed.

Det europæiske direktiv om affald af elektrisk og elektronisk udstyr (WEEE) blev implementeret for at stærkt nedsætte mængden af affald som ender på i lodsejladsen og derved nedsætte den miljømæssige påvirkning på jorden og på menneskers helbred. Udvis venligst ansvarlighed ved at genbruge brugte produkter. Hvis dette produkt stadig kan bruges, bedes du overveje at forære det væk eller sælge det.

Model Three BT Brugervejledning

Tillykke med din nye Model Three BT. Vi mener, at Model Three BT er en af de bedste AM/FM clockradioer på markedet. Med *Bluetooth* trådløs teknologi kan du streame musikken trådløst til Model Three BT.

For at drage fuld fordel af, hvad din nye Model Three BT kan, vil vi bede dig læse denne instruktionsbog grundigt igennem. Hvis du har spørgsmål, er du velkommen til at kontakte din forhandler eller Tivoli Audio direkte.

Gem venligst æsken og den originale indpakning hvis det skulle blive nødvendigt at sende din radio til os, da skade under forsendelse ikke dækkes af fabriksgarantien.

På vegne af os alle sammen takker vi dig for at vælge Tivoli Audio og nyd din nye Model Three BT!

Om Tivoli Audio

Tivoli Audio blev startet af Tom DeVesto som havde en mission om at bringe brugervenlige og elegant designede audioprodukter af høj kvalitet til forbrugerne. Som administrerende direktør og chef for forskning og udvikling på hans tidligere arbejdsplads, Cambridge SoundWorks*, var Tom ansvarlig for at udvikle mange af de home entertainment og multimedie produkter, der sælger bedst på markedet. Han arbejdede også i topledelsesstillinger indenfor produktudvikling hos både Advent og Kloss Video.

*Cambridge SoundWorks er et registreret varemærke tilhørende Creative Labs, Singapore.

Sammen med din Model Three BT finder du en af hver:

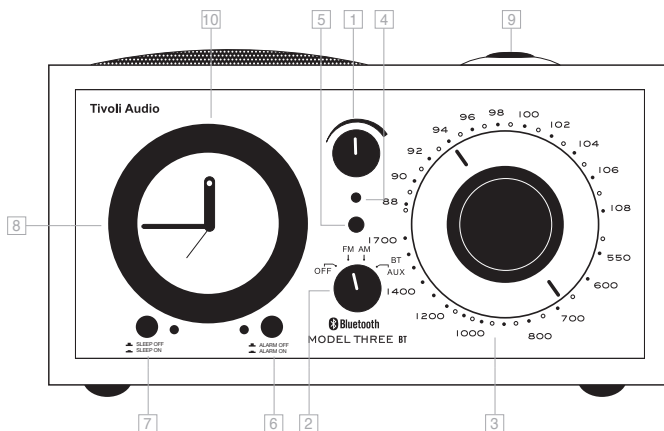
- En (1) FM ledningsantenne ELLER en (1) fastgjort FM teleskopantenne (anhængigt af dit land)
- En (1) ekstern strømforsyning
- En (1) AA-batteri

Kontakt venligst din forhandler eller Tivoli Audio hvis du mangler nogen af disse ting.

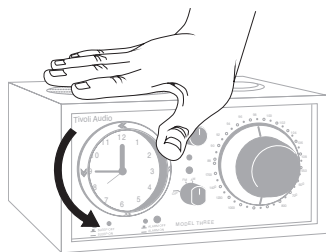
Kom Godt I Gang

1. Læg det medfølgende AA-batteri i batterirummet på radioens bagside (placer polerne korrekt).
2. Tryk på "Time set" (tidsindstillingsknappen), til tidspunktet er indstillet korrekt.
3. Sæt kontakten i den eksterne strømforsyning i stikket på bagsiden og den anden ende af sættes i stikkontakten på væggen.
4. Indstil radioen på FM eller AM, find en radiostation, og juster lydstyrken til den ønskede styrke.

Guide Til Features (Forside)



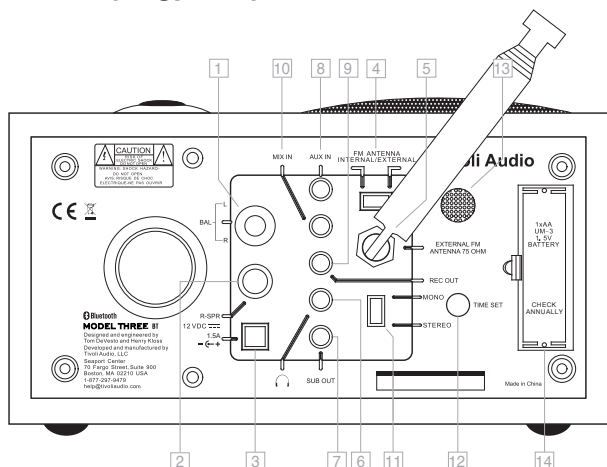
- LYDSTYRKE:** Drej volumenknappen til højre for at øge lydstyrken og til venstre for at reducere lydstyrken. Volumenknappen styrer også lydstyrken fra hovedtelefoner (medfølger ikke), når de er tilsluttet. Skru ned for lyden for at undgå, at højttaleren bliver beskadiget, hvis lyden på noget tidspunkt er forvrænget.
- OFF/FM/AM/AUX KNAPE:** Drej knappen et klik til højre for at lytte til FM båndet, to klik til højre for at lytte til AM båndet, eller tre klik til højre for at vælge aux input. For at aktivere *Bluetooth*, skifter du til Aux positionen og følger de trin der er beskrevet i sektionen for "*Bluetooth brug*".
- INDSTILLINGSKNAPE:** Drej den analoge indstillingsknap til højre eller venstre for at justere FM (øvre halvdel af knappen) eller AM (nedre halvdel af knappen) frekvensrækkevidden.
- TÆND/SLUK-LYS:** Lyser grønt, når knappen er indstillet i alle andre indstillinger end Off (slukket), undtagen hvis alarmer er aktiveret.
- INDSTILLINGSINDIKATOR:** Lyser mest når den bedste indstilling er opnået. Nogle hørbare AM stationer vil ikke få indstillingsindikatoren til at lyse, så man skal lytte sig frem for at indstille det klareste signal.
- ALARM:** Når du har indstillet radioen til vækning ved hjælp af drejhjulet til alarmer, trykker du på knappen for at aktivere alarmer. Det tilhørende LED-lys lyser grønt. LED-lyset lyser grønt, til alarmknappen bliver slukket. Tryk på alarmknappen igen for at deaktivere alarmer. Det grønne LED-lys slukker.
- SLEEP:** Drej på knappen, hvor du indstiller til AM eller FM. Indstil radioen på den station, du vil falde i søvn til, og sæt lydstyrken på det ønskede niveau. Tryk på knappen Sleep (sov), og det tilhørende LED-lys vil lyse grønt. Radioen slukker automatisk efter ca. 20 minutter. LED-lyset lyser grønt, til Sleep-knappen bliver slukket.
- DREJEHJUL TIL ALARM:** Drej drejhjulet i aluminium mod urets retning, til viserne står ud for det tidspunkt, du vil vækkes. Drejhjulet må ikke drejes i urets retning, da urets tekniske anordning kan blive beskadiget.



9. **SNOOZE (ØVERST PÅ KABINETTET):** Når alarmen lyder, skal du trykke, holde og derefter slippe Snooze-knappen.. Så ringer alarmen igen efter ca. 5 minutter. Efter 5 minutter går alarmen automatisk i gang igen. Man kan ikke justere Snooze-funktionen.
10. **CLOCK:** Dette analoge kvartsur har en perfekt kvartsbævegelse, der giver super nøjagtighed. Uret fungerer med et enkelt AA-batteri, så strømnedbrud har ingen indvirkning på urets nøjagtighed. Tjek batteriet en gang årligt, for at sikre dig, at uret er indstillet korrekt. Der kan ikke slukkes eller justeres for urets belysningsstyrke. Det er helt normalt, at det tager nogle sekunder, inden lyset slukkes, når man tager stikket ud af stikkontakten.

Vigtigt: På grund af drejhjulets analoge teknik, som er udformet således for enkeltheds skyld, kan der være op til 5 minutters afvigelse fra det tidspunkt, alarmen aktiveres.- Hvis for eksempel alarmen er indstillet til kl. 10.00, kan det gå i gang kl. 9.55 eller kl. 10.05. Vi anbefaler, at du indstiller uret til et tidligere tidspunkt første gang, du skal indstille det, så du er forberedt på denne afvigelse. Efterhånden som du vænner dig til at anvende Model Three, finder du ud af, nøjagtigt hvornår du skal indstille vækningen til, så du bliver vækket rettidigt.

Guide Til Features (Bagpanel)



1. **BALANCE:** Med Stereo eller Dual Alarm Højtaler (sælges separat) tilsluttet, indstilles Mono-/Stereo-knappen på Stereo. Drej balanceknappen opad for at høre den venstre (hovedenhed) højtaler og nedad for at høre den højre (stereo) højtaler. Den midterste låsepal giver lige balance mellem de to højtalere.
2. **R SPR:** Tilslut RCA-kablets hanstik fra højre stereohøjtaler eller en Dual Alarm Speaker (sælges separat) til denne indgang, og sæt stereo/mono-knappen på Stereo. Hvis der tilsluttes andre højtalere end Tivoli Audio Stereo eller Dual Alarm Speaker, gælder garantien ikke, og enheden kan blive beskadiget.
3. **12VDC:** Tilslut den medfølgende vekselstrømforsyning til denne indgang, eller anvend en anden jævnstrømforsyning. Strømforsyningen må ikke tilsluttes en stikkontakt, der styres af en kontakt, for hvis kontakten er slukket ved en fejltagelse, går alarmen ikke i gang, selvom indstillingen er korrekt. **Anvend kun den strømforsyning, der er leveret sammen med produktet.** Hvis strømforsyningen bliver beskadiget eller forlagt, skal det være samme type, der bliver anvendt. Tilslutningen er 5,5 mm/2,1 mm center positiv.

4. **FM ANTENNESKIFT:** Skift mellem interne og eksterne FM antenner. Dette skift påvirker ikke AM modtagelsen. I nogle tilfælde kan FM modtagelsen forbedres ved at indstille dette antenneskift til Eksternt.
5. **EKSTERN FM TILSLUTNING:** Når du lytter til FM, afhængigt af land, skubber du enten den medfølgende ledningsantenne over dette F stik, eller også justerer du denne teleskopantenne indtil du finder den bedste modtagelse. På steder hvor FM signalet er stærkt kan det give bedre modtagelse at forkorte antennens længde. Når du ikke bruger enheden, eller når du lytter til AM, kan du beskytte antennen ved at trække den ind. Denne antenne påvirker ikke AM modtagelsen. For flere oplysninger, se sektionen om "Modtagelse".
6. **HOVEDTELEFON OUT:** Tilslut et headset (medfølger ikke) til dette variable stereo output for at lytte i fred. Dit headset vil mute din primære højttaler. Lydstyrken på dit headset justeres ved at bruge lydstyrkeknappen. Dette stereo output accepterer et 3,5 mm stereo han mini stik. Undgå at bruge hovedtelefoner ved høj lydstyrke for at forhindre mulig høreskade..
7. **SUB OUT:** Tilslut lyd-kablet fra Tivoli Audio Model Subwoofer (eller andre kompatible subwoofere) til denne udgang. Denne udgang passer til et 3,5 mm mini stereo jack stik.
8. **AUX IN:** Hvis du vil høre lyden fra en anden anordning så som en CD afspiller, MP3 afspiller eller computer, slutter du den anordnings audio output til dette stereo input og sætter kildeknappen på forsiden til Aux. Du tænder ikke for den tilsluttede anordning ved at skifte til Aux positionen. Dette stereo input accepterer en 3,5 mm stereo male mini konektor. Aux In stikket kan ikke bruges, hvis der er tilsluttet en *Bluetooth* enhed. Du skal først fraslutte en eventuel *Bluetooth* enhed, før du kan bruge den faste Aux In funktion. **BEMÆRK:** Det kan være nødvendigt at justere lydstyrkeniveauet for en aux anordning til et andet niveau end det du bruger til at lytte til radioen..
9. **REC OUT:** Du kan optage fra din Model Three BT ved at tilslutte en båndoptagers audio input (eller anden optagelsesanordning) til dette stereo output med fast niveau. Du kan også bruge din Model Three BT som en højt ydende analog tuner ved at slutte den til audio inputtet på en forforstærker eller integreret forstærker. Den primære højttaler vil ikke være muted, når du bruger dette output. Dette stik accepterer et 3,5 mm stereo han mini stik.
10. **MIX IN:** Tilslut en audio-enhed såsom en computer til denne indgang. Indstil Model Three BT til AUX, og den fungerer som en almindelig AUX indgang. Denne indgang passer til et 3,5 mm mini stereo jack stik. Lydstyrken reguleres af audio-enheden.
11. **MONO/STEREO:** Kontakten skal være indstillet til Mono, med mindre højre stereo eller Dual Alarm Speaker (sælges separat) er tilsluttet. I så fald skal den stå på Stereo. Hvis du bruger en ekstra højttaler og har kontakten indstillet til Stereo, kan du vælge at eksperimentere med denne kontakt, mens du lytter til radioen, da indstilling i Mono kan fjerne statisk støj på FM. Indgangene til hovedtelefon og optag er i stereo og bliver ikke berørt af indstillingen på denne knap, med mindre kildeknappen er sat på AM (som altid er Mono) eller FM, og denne knap er indstillet til Mono.
12. **TIDSINDSTILLING:** Tryk ganske kort på knappen, og slip den igen for at flytte viserne lidt ad gangen. Tryk og hold knappen nede, for at flytte viserne mere end lidt ad gangen. Giv slip, når uret er indstillet korrekt. Vær sikker på, at alarmknappen står på Off (slukket), når tiden indstilles.
13. **ALARMGITTER:** Alarmen udsendes gennem dette gitter. Gitteret må ikke blokeres.
14. **BACKUP AF BATTERI:** Tag batteridækslet af, og isæt et nyt 1,5V AA-alkalisk batteri - bemærk +/- polaritet. Uret fungerer uden batteri, og batteriet fungerer også som backup. Hvis der sker et strømnedbrud, vil batteriets backup-funktion holde uret i gang og sætte alarmen i gang, hvis alarmknappen er indstillet på On (tændt). Det kræver, at der er et fungerende batteri, som er placeret korrekt. Urets forsider lyser ikke, og radioen fungerer ikke under et strømnedbrud, så

batteriets levetid bevares. Tjek batteriets styrke en gang om året, og udskift altid med et alkalisk AA-batteri 1,5V. Hvis uret ikke fungerer, udskiftes batteriet. Kasser brugte batterier i overensstemmelse med gældende regler. Tag batteriet ud af radioen, hvis den ikke skal bruges i længere tid.

Bluetooth Brug

Før parring skal du tjekke at din anordning understøtter *Bluetooth* 2.1+EDR A2DP, og at din anordning ikke er tilsluttet et andet *Bluetooth* produkt. Forskellige anordninger kan parre forskelligt. Nedenstående er en general guide.

1. Tænd for din Model Three BT og sæt den til Aux positionen. Dette vil tænde for din *Bluetooth*. Start med at skruet ¼ op for lyden. Skru også op for lyden på kildeenheden (den enhed du streamer fra).
2. Tænd den *Bluetooth* trådløse teknologi på din aktiverede anordning.
3. Vælg "Tivoli *Bluetooth* (Ikke parret)" når den kommer op på din anordnings skærm for at begynde søgningen. Nogle anordninger beder dig om et PIN nummer. I så tilfælde indtaster du "0000". "Tivoli *Bluetooth*" vil skifte fra "Ikke parret" til "Forbundet".
4. Du vil høre en ringetone fra din Model Three BT som bekræfter forbindelsen, og du kan nu begynde at spille dine musikfiler trådløst. Juster lydstyrken på din anordning. Det skulle ikke være nødvendigt at parre din anordning igen. **Afhængigt af hvilken enhed du bruger kan det være nødvendigt at prøve parring og/eller forbindelse til Model Three BT flere gange, men giv venligst enheden tid nok til at parre eller forbinde før du gentager processen.**

Parre En *Bluetooth* Trådløs Teknologi Aktiveret iPhone/iPod Touch/iPad

1. Tænd for din Model Three BT og sæt den i Aux positionen. Dette vil tænde for din *Bluetooth*. Start med at skruet ¼ op for lyden. Skru også op for lyden på kildeenheden (den enhed du streamer fra).
2. Vælg "Indstillinger" (afhænger af anordningens softwareversion).
3. Vælg "Almindelig".
4. Vælg "*Bluetooth*".
5. Sæt *Bluetooth* til "On" for at begynde søgningen.
6. Vælg "Tivoli *Bluetooth* (Ikke parret)" når det vises på displayet. Hvis du bliver bedt om at indtaste et PIN nummer, indtaster du "0000". "Tivoli *Bluetooth*" vil skifte fra "Ikke parret" til "Forbundet".
7. Du vil høre en ringetone fra din Model Three BT, og du kan nu begynde at spille dine musikfiler trådløst. Juster lydstyrken på din anordning. Det skulle ikke være nødvendigt at parre din iPhone/iPod/iPad igen.

Output niveauet af lydstyrken på musikfiler varierer. Hvis du foretrækker et endnu højere output niveau kan du tjekke indstillingerne på din iPhone/iPod touch/iPad: Sæt EQ til Off, SoundCheck til Off, og lydstyrkegrænsen til Off.

Hvis du har problemer med at parre, trykker du på den lille pil til højre for "Tivoli *Bluetooth*" på dit iPhone/iPod touch/iPad display og vælg "Glem denne anordning", og gentag så parringsprocessen. **Afhængigt af hvilken enhed du bruger kan det være nødvendigt at prøve parring og/eller forbindelse til Model Three BT flere gange, men giv venligst enheden tid nok til at parre eller forbinde før du gentager processen.**

Når du streamer musik kan du trykke på den blå pil til højre for knappen for det næste spor >>/ på dit iPhone/iPod touch/iPad display for at skifte mellem iPhone/iPod/iPad og *Bluetooth*.

VIGTIGT:

- Model Three BT vil huske parringsoplysninger for op til 8 anordninger. Yderligere anordninger kan parres, men den anordning, som det er længst siden den blev brugt, vil blive erstattet af den nyeste parrede anordning.
- Hvis lyden forsvinder eller stopper mens der spilles, skal du flytte din anordning tættere på din Model Three BT, eller tjek for at sikre at der ikke er en anden trådløs anordning som forstyrrer signalet.
- Når du skifter fra *Bluetooth* til AM eller FM, kan det være nødvendigt at genjustere (sænke) radioens lydniveau.

Modtagelse

De indvendige FM- og AM-antenner sørger for den gode modtagelse. For at høre AM - drej radioen, til du har den ønskede modtagelse. En ekstra AM trådløs antenne kan give en bedre AM-modtagelse.

Bygninger som er lavet af beton, stål eller aluminium facadebeklædning vil hindre modtagelse. Husholdnings hvidevarer, elektriske tæpper, computere, CD afspillere og andre elektroniske anordninger kan også have en negativ påvirkning på modtagelsen eller introducere støj. Hvis det sker, skal du flytte din Model Three BT længere væk fra den påvirkende anordning eller sætte den i en stikkontakt som ikke bruges af en anden anordning. Metaloverflader kan også hindre AM modtagelse.

Placering

Placer enheden på en flad, stabil overflade. Placering på en bogreol, et skab eller tæt på vægge eller hjørner kan gøre bassen stærkere.

Rengøring

Brug aldrig stærke rengøringsmidler eller opløsningsmidler på din radio. Undgå spray-on voks. Træk stikket ud på din Model Three BT før rengøring. Forsiden kan rengøres med en let fugtig blød klud. Hvis du maler eller farver trækabinettet bortfalder garantien.

BEMÆRK: Tivoli Audio kabinetter er lavet af ægte træfiner. Da der er stor variation indenfor naturtræ, er det ikke muligt at finde en præcis match for træfarve/-årer indenfor de forskellige modeller. Du kan også opleve at træ bliver mørkere med tiden, når det udsættes for sollys. Det er normalt for rigtigt træ.

Det er også muligt, at farvet finer så som blå, rød etc. kan falme, hvis det udsættes for sollys. Dette er ikke dækket af garantien.

Begrænset Garanti

Tivoli Audio laver produkter af meget høj standard, og vi er sikre på, at vore produkter fungerer godt. Derfor yder vi en begrænset garanti på dette produkt mod fabrikationsfejl ved materialer og håndværk til den oprindelige ejer. Denne garanti kan ikke overføres.

Produkter som er købt i EU og Norge har en minimumsgaranti på to år. I lande hvor varigheden af minimumsgarantien er vedtægtsbestemt, er garantiperioden den påkrævede vedtægtsperiode. Alle andre steder er garantiperioden et år.

Denne begrænsede garanti dækker dette produkts funktionalitet for normal, tilsigtet brug som specificeret i denne manual. Den dækker ikke fejlfunktion eller skade, der er opstået ved upassende eller urimelig brug eller installation, ved at bruge opladeren til at oplade alkaline batterier, fejl ved tilknyttet udstyr, modifikationer, uautoriseret reparation, skade eller tab under forsendelse, mishandling, uheld, brug af forkert spænding/strøm, strømstød, lynnedslag eller andre naturfænomener, for megen fugt, normal slidtage, kommercielt brug eller køb fra uautoriserede forhandlere. Det kan være nødvendigt at vise dit købsbevis ved garantiservice for at bevise at enheden blev købt hos en autoriseret forhandler.

Kontakt venligst din forhandler eller en lokal distributør for garantiservice eller -reparation.

Hvis du åbner eller skiller dette produkt ad, vil den begrænsede garanti være ugyldig. Der er ingen dele inden i, som brugeren kan servicere. Tivoli Audio betaler ikke for omkostninger ved korrigerende af problemer med modtagelsen, eliminering af eksternt genereret statisk støj/støj, tidstab, ubekvemmelighed, tab af brugen af produktet, eller skade forårsaget ved upassende brug af dette produkt.

Hvis produktet returneres i garantiperioden og service er berettiget i følge denne begrænsede garanti, vil vi reparere eller erstatte alle defekte dele gratis og indenfor en rimelig tidsfrist..

DENNE BEGRÆNSEDE GARANTI GIVER DIG SPECIFIKKE LOVMÆSSIGE RETTIGHEDER UNDERLAGT DE SPECIFICEREDE FORHOLD. DER KAN OGSÅ VÆRE ANDRE GÆLDENDE LOVMÆSSIGE RETTIGHEDER FOR DET KØBTE PRODUKT. DISSE LOVMÆSSIGE RETTIGHEDER VARIERER FRA LAND TIL LAND. NOGLE STEDER ER EKSKLUDERING, RESTRIKTION ELLER MODIFICERING AF VISSE UNDERFORSTÅEDE RETTIGHEDER ELLER DERES EFFEKT IKKE TILLADT. I EN SÅDAN SITUATION VIL DENNE BEGRÆNSEDE GARANTI KUN GÆLDE I DEN UDSTRÆKNING SOM GÆLDENDE LOV TILLADER.

Dit lands love kan give dig retten til lovmæssige krav mod sælgeren eller producenten af dette produkt. Denne begrænsede garanti påvirker ikke disse rettigheder.

Bestemmelserne i den begrænsede garanti træder i stedet for alle andre garantier eller forhold, bortset fra dem der er lovbestemt. Denne begrænsede garanti påvirker ikke dine lovgivne rettigheder og udelukker ikke noget retsmiddel, som du har lovmæssigt ret til.

I lande hvor ansvarlighedsgrænsen ikke udelukkes af vedtægter skal Tivoli Audio højeste ansvarlighed ikke overstige den pris du betalte for produktet. I lande hvor ansvarlighedsgrænsen er udelukket af loven, skal Tivoli Audio ikke være ansvarlig for mere end direkte kropsskade, og/eller skade på ejendom eller personlige ejendele som følge af Tivoli Audios uagtsomhed.

Hvis det ikke er forbudt i følge loven, skal Tivoli Audio ikke være ansvarlig for specielle, uhelds-, konsekvens- eller indirekte skader. Nogle steder tillader ikke begrænsninger af eksklusion eller begrænsninger af afhjælpning, specielle, uhelds-, konsekvens- eller indirekte skader eller ansvarsbegrænsning til særlige beløb, så ovenstående begrænsninger eller eksklusioner gælder måske ikke dig.

Denne begrænsede garanti er ugyldig, hvis mærkatet med serienummeret er blevet fjernet eller ødelagt.

Hvis du har købt en forlænget servicekontrakt fra din forhandler og service er nødvendig efter den begrænsede garanti er udløbet, bedes du kontakte vores udbyder af den forlængede kontrakt for at blive serviceret.

For nemheds skyld kan du registrere dit produkt for garantiservice online på vores hjemmeside www.tivoliaudio.com. Du er ikke lovmæssigt forpligtet til at give personlige oplysninger. Men sådanne oplysninger lader os registrere hvilke Tivoli Audio produkter du køber, så vi bedre kan forstå dem der køber vores produkter. Tivoli Audio vil bruge de indsamlede oplysninger til markedsføring, og hvor det er tilladt vil vi kontakte dig om de produkter du har købt eller andre produkter du kunne være interesseret i fra Tivoli Audio eller andre firmaer. De oplysninger du giver os kan blive bearbejdet i et andet land.

Specifikationer

Model:	Tivoli Audio Model Three BT
Type:	Kvartsanalogt ur AM/FM radio med <i>Bluetooth</i> trådløs teknologi
Driver:	En 76,2 mm (3") driver med fuld rækkevidde, video afskærmet
Strømforsyning:	M3-PS, 12 VDC, 1.5 A, 120V-60 Hz (UL); 230V-50 Hz (CE)
Batteri til ur:	Alkaliske AA/UM-3 1,5 V
Dimensions:	21,3 cm B x 11,4 cm H x 13,3 cm D (8,375" B x 4,5" H x 5,25" D)
Weight:	1,70 kg (3,75 engelske pund)

Specifikationer kan ændres uden varsel.

Tivoli Audio forbeholder sig retten til at lave produktændringer uden varsel.

Tivoli Audio, Tivoli Audio logoet, og Model Three er varemærker tilhørende Tivoli Audio, LLC. *Bluetooth* ordmærket og logoer er registrerede varemærker som ejes af Bluetooth SIG, Inc. og enhver form for brug af Tivoli Audio er under licens. iPod, iPod touch, iPhone, og iPad er varemærker tilhørende Apple Inc., som er registreret i USA og andre lande. Andre varemærker og varenavne tilhører deres respektive ejere.





Dieses Symbol warnt den Bediener vor nicht isolierter, „gefährlicher“ elektrischer Spannung im Gerätegehäuse, die hoch genug sein kann, um zu elektrischen Schlägen zu führen.



Dieses Symbol weist den Bediener auf wichtige Anweisungen zur Bedienung und Wartung des Geräts in der begleitenden Literatur hin.

Wichtige Sicherheitsanweisungen

1. Lesen Sie diese Anweisungen sorgfältig durch.
2. Bewahren Sie diese Anweisungen auf.
3. Beachten Sie alle Warnhinweise.
4. Befolgen Sie alle Anweisungen.
5. Halten Sie dieses Gerät von Wasser fern. Verwenden Sie dieses Gerät beispielsweise nicht in der Nähe einer Badewanne, in einem feuchten Keller, in der Nähe eines Swimmingpools und dergleichen. **ACHTUNG!** Setzen Sie das Gerät nicht Regen oder Feuchtigkeit aus.
6. Reinigen Sie das Gerät nur mit einem trockenen Tuch.
7. Stellen Sie sicher, dass die Belüftungsöffnungen nicht versperrt sind. Schließen Sie das Gerät gemäß den Anweisungen des Herstellers an.
8. Schließen Sie das Gerät nicht in der Nähe von Wärmequellen wie z. B. Heizkörpern, Heizauslässen, Öfen oder anderen wärmeerzeugenden Geräten (inklusive Verstärkern) an.
9. Setzen Sie nicht die Sicherheitsfunktion des verpolungssicheren oder geerdeten Steckers außer Kraft. Ein verpolungssicherer Stecker ist mit zwei unterschiedlich breiten Kontakten ausgestattet. Ein geerdeter Stecker ist neben den zwei Kontakten außerdem mit einem Massekontakt ausgestattet. Der breite Kontakt bzw. der Massekontakt dienen zu Ihrer Sicherheit. Falls der gelieferte Stecker nicht in Ihre Steckdose passt, wenden Sie sich zum Austausch der entsprechenden Steckdose bitte an einen Elektriker.
10. Stellen Sie sicher, dass nicht auf das Stromkabel getreten oder das Kabel geknickt wird, insbesondere an Steckern, Steckdosen und der Stelle, wo das Kabel am Gerät austritt.
11. Benutzen Sie ausschließlich die vom Hersteller angegebenen Anbau- und Zubehörgeräte.
12. Verwenden Sie nur Wagen, Ständer, Stativ, Halter oder Tische, die vom Hersteller benannt oder im Lieferumfang des Geräts befindlich sind. Wenn Sie einen Wagen benutzen, seien Sie vorsichtig beim Bewegen des Wagens / Gerätes, um Verletzungen durch Umkippen zu vermeiden.



13. Ziehen Sie den Stecker dieses Gerätes bei Gewittern oder bei längerer Nichtverwendung heraus.
14. Betreiben Sie das Gerät nur mit den auf der Rückseite angegebenen Stromquellen. Verwenden Sie bei Geräten mit einer externen Stromversorgung im Fall von Verlust oder Beschädigung nur ein identisches Ersatzteil. Entnehmen Sie bei Geräten mit einer Batteriestromversorgung dem Benutzerhandbuch die notwendigen Informationen.
15. Ziehen Sie das Gerät von der Steckdose ab und lassen Sie die Wartungsarbeiten von qualifiziertem Fachpersonal durchführen, wenn folgendes passiert ist:
 - a. Das Stromversorgungskabel oder der Stecker ist beschädigt.
 - b. Flüssigkeit wurde auf das Gerät verschüttet oder Gegenstände sind hineingefallen.
 - c. Das Gerät wurde Wasser oder Regen ausgesetzt.
 - d. Das Gerät funktioniert nicht ordnungsgemäß, obwohl die Bedienungsanleitung befolgt wird.
 - e. Das Gerät wurde fallen gelassen oder auf andere Weise beschädigt.
 - f. Das Gerät weist eine deutliche Veränderung der Leistung auf.
16. Wenn Ersatzteile benötigt werden, stellen Sie sicher, dass Servicetechniker Original-Ersatzteile vom Hersteller verwenden oder Ersatzteile, mit identische Eigenschaften Verwenden. Durch falsche Ersatzteile können Feuer, Stromschlag oder andere Gefahren entstehen.
17. Bitten Sie den Techniker nach Beendigung einer Dienstleistung einen Sicherheitscheck durchzuführen, um zu bestätigen, dass das Produkt in einem einwandfreien Betriebszustand ist.
18. Halten Sie das Gerät in sicherer Entfernung zu offenen Flammen wie z. B. brennenden Kerzen.
19. Halten Sie das Gerät von spritzender oder tropfender Flüssigkeit fern. Stellen Sie keine Gegenstände auf das Gerät, die Flüssigkeit enthalten, wie beispielsweise Vasen oder Trinkgläser.
20. Der empfohlene Betriebstemperaturbereich liegt zwischen 5°C und 40°C (41°F und 104°F).
21. Der 12 VDC-Eingang ist für den Betrieb dieses Produkts in einem Boot oder Camper mit einem optional erhältlichen 12 VDC 2 A Adapter angemessen.
22. **WARNUNG** – Die Stromversorgung ist in der Aus-Position nicht getrennt, aber die Stromkreisläufe sind unterbrochen.
23. Kanada entspricht der RSS210, ICES-003.
24. Der Netzstecker dient als Trennvorrichtung und muss immer leicht zugänglich sein.

⚠️ WARNUNG: DIE AM MODEL THREE BT ANGEBRACHTE TELESKOP EXTERNE ANTENNE SOLL NICHT GELÖST WERDEN.



Dieses Produkt ist recyclingfähig. Produkte mit diesem Symbol dürfen NICHT im normalen Hausmüll entsorgt werden. Entsorgen Sie das Produkt am Ende der Nutzungsdauer bei einer ausgewiesenen Recycling-Sammelstelle für elektrische und elektronische Geräte. Weiterführende Informationen über Rücknahme- und Sammelstellen erhalten bei Ihren örtlichen Behörden.

Die europäische WEEE-Richtlinie (Elektro- und Elektronikgerätegesetz) wurde eingeführt, um die Abfallmenge auf Mülldeponien erheblich zu verringern und so die Umweltauswirkungen auf unseren Planeten und die Gesundheit der Menschen zu reduzieren. Handeln Sie bitte verantwortungsbewusst, indem Sie Altgeräte dem Recycling zuführen. Falls das Produkt noch verwendbar sein sollte, sollten Sie ein Verschenken oder einen Weiterverkauf in Betracht ziehen.

Model Three BT - Anleitung

Herzlichen Glückwunsch zum Kauf des Model Three BT Tischradios. Wir glauben, dass das Model Three BT zu einem der besten aktuell auf dem Markt befindlichen analogen Mono-Tischradios gehört. Mit dem Zusatz von *Bluetooth* Wireless Technologie können Sie Ihre Musik drahtlos auf Ihr Model Three BT übertragen und wiedergeben.

Sicherlich sind Sie gespannt darauf, Ihr neues Radio zu benutzen. Wir möchten Sie jedoch bitten, sich einen Moment Zeit zu nehmen und diese Bedienungsanleitung sowie die Sicherheitshinweise durchzulesen. Zögern Sie nicht, bei Fragen Ihren Händler oder Tivoli Audio zu kontaktieren.

Bitte bewahren Sie den Karton und die Originalverpackung sorgfältig auf. Sollten Sie diese eventuell in Zukunft benötigen, um Ihr Radio zur Reparatur einzusenden, können durch falsche/unsachgemäße Verpackung entstehende Transportschäden nicht durch die Werks-garantie abgedeckt werden.

Im Namen von Tivoli Audio möchten wir uns herzlich für Ihren Kauf bedanken. Wir wünschen Ihnen viel Spaß und Freude mit Ihrem neuen Model Three BT!

Über Tivoli Audio

Tivoli Audio wurde von Tom DeVesto mit der Vision gegründet, den Kunden Audioprodukte anzubieten, die über eine einfache Bedienung, ein elegantes Design und eine hohe Qualität verfügen. Als Geschäftsführer und Leiter der Forschungs- und Entwicklungsabteilung bei seiner vorherigen Firma, Cambridge SoundWorks*, war Tom verantwortlich für die Entwicklung einer Vielzahl der am meisten verkauften Homeentertainment- und Multimediaprodukte auf dem Markt. Des Weiteren bekleidete er Positionen im gehobenen Management der Produktentwicklung bei Advent und Kloss Video.

*Cambridge SoundWorks ist ein eingetragenes Warenzeichen von Creative Labs, Singapur.

Lieferumfang neben dem Model Three BT an sich:

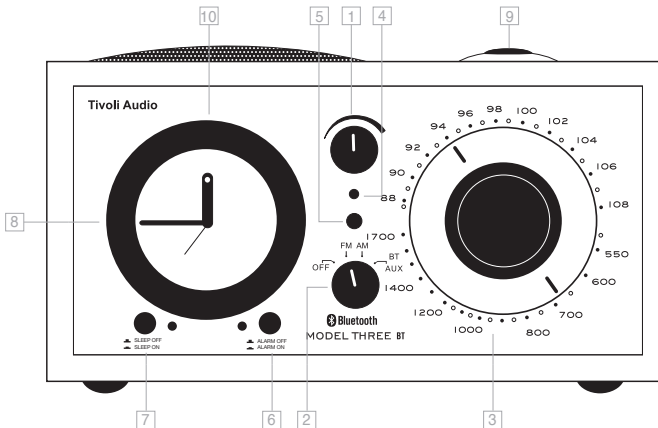
- Eine (1) FM-netzkabel ODER eine (1) fest installierte FM-Teleskopantenne (je nach Land)
- Ein (1) Netzteil
- Eine (1) Mignonbatterie (AA-Zelle)

Bitte informieren Sie Ihren Händler oder Tivoli Audio direkt, wenn Sie Bestandteile des Lieferumfangs vermissen.

Erste Schritte

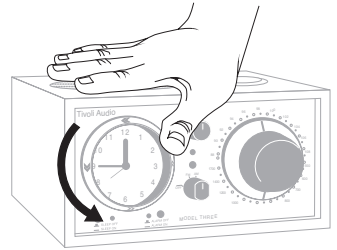
1. Legen Sie die mitgelieferte Mignonbatterie in das Batteriefach auf der Rückseite ein und achten Sie dabei auf die richtige Polarität.
2. Drücken Sie solange auf die rückseitige Taste „Time Set“, bis die richtige Zeit angezeigt wird.
3. Stecken Sie ein Ende des externen Netzkabels an der Rückseite des Radioweckers ein und das andere in eine Wandsteckdose.
4. Schalten Sie den Model Three BT-Radiowecker ein, suchen Sie auf FM oder AM nach dem gewünschten Sender und stellen Sie die Lautstärke auf das gewünschte Niveau ein.

Erläuterung der Bedienelemente (Vorderseite):



- LAUTSÄRKEREGLER:** Mit dem oberen Drehknopf in der Mitte des Gerätes regulieren Sie die Lautstärke. Drehen Sie den Drehregler im Uhrzeigersinn, um die Lautstärke zu erhöhen, und gegen den Uhrzeigersinn, um die Lautstärke zu verringern.
- OFF/FM/AM/AUX REGLER:** Drehen Sie den Knopf einen Klick nach rechts um UKW Frequenz, zwei Klicks nach rechts um MW Frequenz und drei Klicks nach rechts um den AUX-Eingang auszuwählen. Um die *Bluetooth* Funktion zu aktivieren, schalten Sie auf AUX und folgen den Schritten, die in dem "*Bluetooth* Betrieb" Abschnitt beschrieben werden.
- ABSTIMMUNG:** Der große Drehknopf auf der rechten Seite des Gerätes dient der genauen Einstellung des gewünschten Senders.
- LED FEINABSTIMMUNG:** Bei optimaler Abstimmung leuchtet diese Kontrollleuchte hell auf. Diese Anzeige könnte bei bestimmten AM-Stationen mit schwachem Signal nicht funktionieren, so dass Sie die Abstimmung nach Gehör vornehmen müssen. Die grüne LED leuchtet auch dann, wenn der Wecker aktiviert ist.
- LED FEINABSTIMMUNG:** Bei optimaler Abstimmung leuchtet diese Kontrollleuchte hell auf. Diese Anzeige könnte bei bestimmten AM-Stationen mit schwachem Signal nicht funktionieren, so daß Sie die Abstimmung nach Gehör vornehmen müssen.
- WECKER AKTIVIEREN:** Der kleine Druckschalter (ALARM OFF/ON) rechts unterhalb der Uhr aktiviert die Weckfunktion. Um den Wecker zu aktivieren stellen Sie zuerst die Weckzeit am äußeren Ring der Uhr ein. Drehen Sie den äußeren Ring der Uhr und somit den roten Zeiger in Pfeilrichtung nach links auf die gewünschte Weckzeit. Entscheiden Sie nun, ob Sie mit dem Radio oder von einem Piepton geweckt werden möchten. Setzen Sie hierzu den Eingangswahlschalter auf die Position UKW (FM) oder MW (AM), um durch das Radio geweckt zu werden. Vergessen Sie bitte nicht die hierbei gewünschte Lautstärke vorab einzustellen. Setzen Sie den Eingangswahlschalter auf OFF, um mit dem Piepton geweckt zu werden. Nun drücken Sie den Schalter (ALARM OFF/ON) in die ON Position. Die kleine grüne LED links neben diesem Schalter leuchtet und signalisiert somit die Aktivierung der Weckfunktion. Zur Deaktivierung der Weckfunktion drücken Sie abermals den Schalter (ALARM OFF/ON) in die OFF Position und die grüne LED erlischt.
- EINSCHLAFEN MIT MUSIK:** Der kleine Druckschalter (SLEEP OFF/ON) links unterhalb der Uhr lässt Sie bei Musik einschlafen. Um diese Funktion zu aktivieren, drücken Sie diesen Schalter

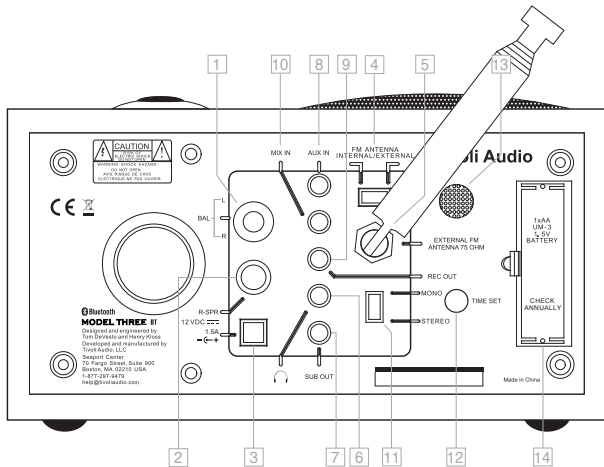
(SLEEP OFF/ON) in die ON Position. Die kleine grüne LED rechts neben diesem Schalter leuchtet und signalisiert somit die Aktivierung der SLEEP Funktion. Nach ungefähr 20 Minuten schaltet das Radio automatisch aus, ohne die Weckfunktion zu beeinträchtigen.



8. **WECKZEIT:** Den äußeren Ring um die Uhr in Pfeilrichtung nach links drehen, bis der rote Zeiger auf der gewünschten Weckzeit steht. **Die radiowecker-einfassung nicht im Uhrzeigersinn drehen, sonst kann der Mechanismus beschädigt werden.**
9. **SCHLUMMERFUNKTION:** Drücken Sie den Druckschalter (SNOOZE) auf der Oberseite des Gerätes um die Schlummerfunktion zu aktivieren. Durch das Betätigen dieses Schalters können Sie den Weckvorgang für 5 Minuten unterbrechen. Nach 5 Minuten ertönt der Wecker wieder. Die SNOOZE-Zeit kann nicht umgestellt werden.
10. **UHRZEIT-EINSTELLUNG:** Die eingesetzte Analoguhr ist mit einem Quarz-Mechanismus ausgestattet, der eine ausgezeichnete Genauigkeit garantiert. Die Uhr wird durch eine „AA“ Batterie betrieben, damit im Falle eines Stromausfalls die Funktion des Gerätes nicht beeinträchtigt wird. Eine halbjährliche Kontrolle der Batterie versichert den optimalen Betrieb des Gerätes. Die Beleuchtung der Uhr kann nicht gedimmt bzw. ausgeschaltet werden. Das Licht leuchtet noch einige Sekunden, auch wenn die Batterie entfernt wurde.

Wichtiger Hinweis: Aufgrund der Beschaffenheit des analogen Mechanismus des Radiowecker-Daumenrads und des einfachen Designs kann bei der Alarmaktivierung eine Verzögerung von bis zu fünf Minuten auftreten. Wenn der Wecker beispielsweise auf 10 Uhr eingestellt ist, kann es sein, dass er um 9.55 Uhr oder um 10.05 Uhr aktiviert wird. Deshalb empfehlen wir, dies bei der erstmaligen Einstellung zu berücksichtigen. Je mehr Sie unseren Model Three BT-Radiowecker benutzen, umso eher erhalten Sie eine Vorstellung davon, wie Sie ihn einstellen müssen, um zur gewünschten Zeit geweckt zu werden.

Erläuterung der Bedienelemente (Rückseite):



- BALANCE:** Nach optionalem Anschluss des „STEREO SPEAKER oder DUAL ALARM SPEAKER“, stellen Sie den MONO/STEREO Schalter auf die Position STEREO. Die Mittelposition des Balance-Drehknopfes (BAL) markiert einen ausgewogenen Stereoklang. Im Monobetrieb setzen Sie die Balance auf links.
- R SPR:** Dieser Eingang bietet den optionalen Anschluß einen zweiten Tivoli-Lautsprechers. Hier haben Sie die Wahl zwischen einem Tivoli-Stereo Speaker (Lautsprecher ohne Uhr) oder einem Tivoli Dual Alarm (Lautsprecher mit Uhr) zur Einstellung einer zweiten Weckzeit. Zur Einhaltung unserer Garantiebestimmungen verwenden Sie hierfür keinesfalls Fremdgeräte, da diese evtl. Schäden verursachen könnten.
- 12VDC:** Dieser Eingang ist für das im Lieferumfang enthaltene Netzteil vorgesehen. Bitte verbinden Sie das Netzteil des M3 mit diesem Anschluß. Achten Sie bitte darauf das Model Three BT nicht an einer Steckdose mit Schalter zu installieren, da dieser bei einem versehentlichen Ausschalten den Wecker mit ausschalten würde.
- FM ANTENNEN ANSCHLUSS:** Wahlschalter zur Selektion zwischen Interner und externer Antenne.
- EXTERNE UKW (FM) ANBINDUNG:** Wenn Sie Radio hören (abhängig vom jeweiligen Land), befestigen Sie die im Lieferumfang enthaltene Antenne an diesem F Adapter oder passen Sie Position und Richtung der Teleskopantenne an. In Gegenden mit starkem UKW-Signal könnten Sie einen besseren Empfang erzielen, wenn Sie die Antenne nicht ganz ausziehen. Wenn das Gerät ausgeschaltet ist oder auf den MW-Bereich eingestellt ist, sollten Sie die Antenne einziehen, so dass sie gut geschützt ist. Die Ausrichtung der Antenne hat keinen Einfluß auf den Empfang im MW-Bereich.
- KOPFHÖRERAUSGANG:** Stereoausgang zum Anschluss eines Kopfhörers. Bei Anschluss eines Kopfhörers wird der Lautsprecher des Geräts automatisch abgeschaltet.
- SUB OUT:** Schließen Sie das Audio-Kabel des optionalen Tivoli Audio Model Subwoofer (oder eines anderen kompatiblen Subwoofers) an diesen Ausgang an. Der Ausgang ist für 3,5-mm-Klinkenstecker ausgelegt.
- AUX IN:** Stereoeingang zum Anschluss einer Stereo- oder Monoquelle (CD-Player, Fernseher, u.a.). Die Aux-In-Buchse ist nicht verfügbar, wenn ein Bluetooth-Gerät angeschlossen ist.

HINWEIS: Sie müssen zuerst alle *Bluetooth*-Geräte ausstecken, um die kabelgebundene Aux-In-Funktion nutzen zu können.

9. **REC OUT:** Sie können das Model Three BT auch als High Performance Analog Tuner nutzen, indem Sie es an den Audio Eingang eines Vorverstärkers oder integrierten Verstärkers anschließen. Der interne Lautsprecher wird nicht stumm geschaltet, wenn Sie diesen Ausgang nutzen. Dieser Anschluss benötigt ein 3,5mm Klinkenstecker (Stereo).
10. **MIX IN:** Schließen Sie den Audioausgang eines anderen Geräts, beispielsweise eines Computers, an diesen Ausgang an, um Klänge zu hören, die mit dem FM- oder AM-Tuner eingemischt werden. Wenn sich Model Three BT im AUX-Modus befindet, wirkt dieser Eingang als zweiter AUX-Eingang. Der Stereoeingang ist für 3,5-mm-Klinkenstecker ausgelegt. Die Lautstärke wird durch das Quellgerät gesteuert.
11. **MONO/STEREO:** Dieser Schalter sollte auf MONO gestellt sein, sofern nicht ein zweiter Lautsprecher an das Model Three BT angeschlossen wird (Tivoli DUAL ALARM oder STEREO SPEAKER). In diesem Fall setzen Sie den Schalter am Model Three BT auf STEREO. Über den Kopfhörerausgang können Sie stets ein Stereosignal abgreifen.
12. **UHRZEIT EINSTELLUNG:** Auf der Rückseite des Gerätes finden Sie eine Taste mit dem Hinweis TIME SET. Mit dieser Taste stellen Sie die Uhrzeit ein. Achten Sie vor dem Einstellen der Uhrzeit darauf, dass die Weckertaste (ALARM ON/OFF) auf Position OFF steht. Drücken Sie wiederholt die TIME SET Taste, um so manuell die Uhr von einer Minute zur anderen zu setzen. Halten Sie die Taste gedrückt, so entspricht dies einem Schnellvorlauf zur Einstellung der Uhrzeit. Die Taste loslassen, wenn die gewünschte Zeit eingestellt ist.
13. **LAUTSPRECHERABDECKUNG:** Bitte bedecken Sie nicht diese Abdeckung, da sonst die Tonwiedergabe gestört wird.
14. **BATTERY COMPARTMENT:** Legen Sie hier, wie im Gerät angezeigt, die mitgelieferten Batterien ein, um im Falle eines Stromausfalls die Weckfunktion zu puffern. Bitte kontrollieren Sie die Ladung der Batterien. Bei Entladung wird Ihnen dies am Display mit „no batteries“ angezeigt. Ersetzen Sie diese dann mit Batterien des gleichen Typs. Bei Entladung werden Sie ausschließlich mit Piepton geweckt.

Bluetooth Betrieb

Überprüfen Sie vor dem Koppeln ob Ihr Gerät *Bluetooth 2.1 + A2DP* unterstützt und ob es nicht schon an einem anderen *Bluetooth*-Gerät angeschlossen ist. Geräte können unterscheidlich koppeln. Hier eine allgemeine Anleitung:

1. Drehen Sie den Regler des Model Three BT nach die Aux-Position. Dies startet die *Bluetooth*-Funktion. Erhöhen Sie die Ausgangslautstärke etwa um $\frac{1}{4}$.
2. Schalten Sie *Bluetooth* Funktechnik an Ihrem *Bluetooth*-fähig Gerät ein (z.B. MP3 Player, Handy, etc).
3. Wählen Sie "Tivoli *Bluetooth* (Nicht Verbunden)", wenn es auf Ihrem Gerät angezeigt wird, um die Suche zu initiieren. Bei einigen Geräten erscheint nun eine PIN Abfrage. Falls ja, geben Sie "0000" ein. "Tivoli *Bluetooth*" wechselt von "Nicht Verbunden" auf "Verbunden".
4. Sie werden einen Klingelton aus dem Model Three BT hören. Hierdurch wird die BT-Verbindung bestätigt und Sie können mit der drahtlosen Musikwiedergabe beginnen. Bringen Sie die Lautstärke auf Ihrem bluetoothfähigem Gerät in eine angemessene Position. Versuchen Sie nicht das Gerät erneut zu koppeln. **Je nach Gerät ist es möglich, dass Sie mehrere Versuche benötigen, um eine Kopplung und/oder Verbindung mit dem Model Three BT herzustellen.**

Bitte lassen Sie Ihrem Gerät zum Koppeln oder Verbinden genügend Zeit, bevor Sie den Vorgang wiederholen.

Verbinden Eines *Bluetooth* Fähigen Aktiviert iPhone/iPod touch/iPad

1. Drehen Sie den Regler des Model Three BT nach die Aux-Position. Dies startet die *Bluetooth*-Funktion. Erhöhen Sie die Ausgangslautstärke etwa um $\frac{1}{4}$.
2. Wählen Sie "Einstellungen" (abhängig von der Software-Version Ihres Gerätes).
3. Wählen Sie "Allgemein".
4. Wählen Sie "*Bluetooth*".
5. Aktivieren Sie *Bluetooth*.
6. Wählen Sie "Tivoli *Bluetooth* (Nicht Verbunden)", falls es auf dem Display erscheint. Wenn Sie aufgefordert werden, eine PIN einzugeben, geben Sie "0000" ein. "Tivoli *Bluetooth*" wechselt von "Nicht Verbunden" auf "Verbunden".
7. Nachdem Sie einen Klingelton aus dem Model Three BT hören können Sie anfangen Ihre Musikdateien drahtlos abzuspielen. Bringen Sie die Lautstärke auf Ihrem bluetoothfähigem Gerät in eine angemessene Position. Versuchen Sie nicht die Geräte erneut zu koppeln.

Die Lautstärke-Ausgangspegel von Musik-Dateien variiert. Wenn Sie einen noch höheren Ausgangspegel bevorzugen, überprüfen Sie die Einstellungen in Ihrem iPhone / iPod touch / iPad: Stellen Sie den EQ auf Off, den Soundcheck ab, und die Lautstärkebegrenzung Aus.

Falls Sie auf Probleme stoßen sollten, drücken Sie auf den kleinen Pfeil rechts neben "Tivoli *Bluetooth*" auf Ihrem iPhone / iPod touch / iPad Display und wählen Sie "Dieses Gerät ignorieren", dann führen Sie die Anmeldung erneut aus. **Je nach Gerät ist es möglich, dass Sie mehrere Versuche benötigen, um eine Kopplung und/oder Verbindung mit dem Model Three BT herzustellen, aber lassen Sie Ihrem Gerät zum Koppeln oder Verbinden bitte genügend Zeit, bevor Sie den Vorgang wiederholen.**

Beim Streaming von Musik können Sie auf den blauen Pfeil auf der rechten Seite (neben der „nächster Titel“ Taste »» / auf dem iPhone / iPod touch / iPad-Display) drücken, um zwischen dem iPhone/ iPod / iPad und *Bluetooth* zu wechseln.

WICHTIGER HINWEIS:

- Das Model Three BT kann die Informationen der 8 zuletzt verbundenen Geräte abspeichern. Durch das Koppeln zusätzlicher Geräte wird die Information des am wenigsten verwendeten Gerätes jedoch vom neu gekoppelten Gerät ersetzt.
- Wenn die Musikwiedergabe ausfallen oder stoppen sollte, bringen Sie ihr Gerät näher an das Model Three BT oder prüfen Sie, ob ein anderes BT-fähiges Gerät die drahtlose Verbindung stört.
- Nach Umschalten von *Bluetooth* auf AM oder FM muss die Lautstärke ggf. nachjustiert werden.

Empfang

Die interne FM-und AM-Antenne liefert einen guten Empfang. Drehen Sie das Radio um den best möglichen AM Empfang zu erhalten. Eine optionale, externe drahtlose AM-Antenne kann ebenfalls den AM-Empfang verbessern.

Gebäude welche aus massivem Beton und Stahl bzw. Aluminium erbaut wurden, können den Empfang beeinträchtigen. Haushaltsgeräte, Heizdecken, Computer, CD-Player und andere elektronische Geräte können ebenfalls negativen Einfluss auf den Empfang nehmen bzw. eventuelle Störgeräusche verursachen. Falls diese Störungen auftreten sollten, stellen Sie das Model Three BT etwas entfernt von der verursachenden Quelle auf bzw. stecken Sie das Model Three BT an einer Steckdose an, welche nicht mit einem weiteren Gerät geteilt wird. Metallische Oberflächen können ebenfalls den AM-Empfang beeinträchtigen.

Platzierung

Stellen Sie das Gerät auf eine flache, stabile Oberfläche. Die Platzierung in einem Bücherregal, Schrank, oder nahe an Wänden oder Ecken kann den Bass verstärken.

Reinigung

Verwenden Sie keine scharfen Reinigungs- oder Lösungsmittel. Vermeiden Sie Spray-on Wachse. Trennen Sie das Model Three BT Radio vor der Reinigung vom Netz. Die Oberfläche kann mit einem leicht angefeuchteten, weichen Tuch gereinigt werden. Durch Bemalen oder Färben des Holzgehäuses oder der Front erlischt Ihr Garantieanspruch.

HINWEIS: Ein Tivoli Audio Model Three BT Korpus wird aus Echtholz furnieren hergestellt. Da Naturholz stark variiert, ist es nicht möglich unterschiedliche Modelle in identischer Holzfarbe / Maserung zu produzieren. Beachten Sie auch, dass sich einige Oberflächen (vor allem Walnuss) im Laufe der Zeit verdunkeln können. Hierbei handelt es sich um einen natürlichen Prozess, welcher je nach Lichteinfall/Licht-einwirkung variieren kann. Hierbei handelt es sich um einen für Echtholz normalen Prozess.

Es ist außerdem möglich, dass gefärbte Furniere, z.B. blaue oder rote, durch die Einwirkung von Sonnenlicht verblassen. Dies wird nicht von der Garantie gedeckt.

Beschränkte Garanti

Tivoli Audio erfüllt bei der Herstellung seiner Produkte sehr hohe Standards. Daher sind wir überzeugt, dass unsere Produkte äußerst leistungsfähig sind. Dementsprechend bieten wir dem Erstkäufer dieses Produkts eine beschränkte Garantie auf Herstellungsfehler in Bezug auf Material und Verarbeitung. Diese Garantie ist nicht übertragbar.

Für Produkte, die in der Europäischen Union und in Norwegen erworben wurden, besteht eine Mindestgarantiedauer von zwei Jahren. In Ländern, in denen eine Mindestgewährleistungsfrist per Gesetz festgelegt ist, besteht die Garantie über den gesetzlich vorgeschriebenen Zeitraum. In allen anderen Ländern beträgt die Garantiedauer ein Jahr.

Diese beschränkte Garantie umfasst die Funktionsfähigkeit des Produkts im Rahmen seiner normalen, bestimmungsgemäßen Verwendung, wie in dieser Betriebsanleitung beschrieben. Sie umfasst keine Funktionsstörungen oder Schäden, die durch unsachgemäße und unangemessene Verwendung oder Montage, durch Verwendung des Ladegeräts zum Aufladen von Alkalibatterien, durch defekte Zusatzgeräte, Veränderungen, unberechtigte Reparaturen, Beschädigung oder Verlust beim Transport, missbräuchliche Verwendung, Unfälle, Betrieb mit unzulässiger Spannung/Stromstärke, Stromschwankungen, Blitzeinschlag oder andere Risiken höherer Gewalt, übermäßige Feuchtigkeit, normalem Verschleiß, gewerbliche Nutzung oder durch den Erwerb von nicht autorisierten Händlern verursacht wurden. Für den Garantieservice ist ein Kaufbeleg als Nachweis, dass der Artikel bei einem autorisierten Händler gekauft wurde, erforderlich. **Für Reparaturen oder den Garantieservice**

kontaktieren Sie bitte den Händler, bei dem Sie den Artikel gekauft haben oder Ihren Händler vor Ort.

Bitte verzichten Sie darauf, dieses Produkt zu öffnen oder es zu zerlegen, da dadurch die beschränkte Garantie ungültig wird. Es enthält keine Teile, die vom Anwender gewartet werden müssen. Tivoli Audio kommt nicht für Kosten auf, die durch die Korrektur von Empfangsstörungen, Beseitigung von Störungen/ Geräuschen, durch Zeitverlust, Unannehmlichkeiten, Nutzungsausfall des Produkts oder durch Schäden, die durch den unsachgemäßen Gebrauch dieses Produkts verursacht wurden, entstanden sind.

Für den Fall, dass das Produkt während der Garantiedauer zurückgegeben wird und es unter diese beschränkte Garantie fällt, werden defekte Teile von uns innerhalb eines angemessenen Zeitraums kostenlos repariert oder ersetzt.

DIESE BESCHRÄNKTE GARANTIE ERTEILT IHNEN BESTIMMTE RECHTE, DIE FESTGELEGTE BEDINGUNGEN UNTERLIEGEN. SIE VERFÜGEN MÖGLICHERWEISE AUCH ÜBER WEITERE RECHTSANSPRÜCHE, DIE FÜR DAS PRODUKT, DAS SIE ERWORBEN HABEN, GELTEN. DIESE RECHTE SIND VON LAND ZU LAND VERSCHIEDEN. IN MANCHEN LÄNDERN IST DER AUSSCHLUSS, DIE BESCHRÄNKUNG ODER VERÄNDERUNG BESTIMMTER STILLSCHWEIGENDER RECHTE ODER IHRER GÜLTIGKEIT NICHT GESTATTET. IN DIESEN FÄLLEN GILT DIESE BESCHRÄNKTE GARANTIE NUR INSOWEIT, ALS DAS GELTENDE GESETZ DIES ERLAUBT.

Durch die Gesetze Ihres Landes verfügen Sie über Rechtsansprüche gegenüber dem Verkäufer oder Hersteller dieses Produkts. Diese beschränkte Garantie hat keine Auswirkungen auf diese Rechte.

Die Bestimmungen der beschränkten Garantie bestehen an Stelle von anderen Garantien oder Bestimmungen, mit Ausnahme der vom Gesetz vorgegebenen. Diese beschränkte Garantie wirkt sich nicht auf Rechte aus, die Ihnen gesetzlich zustehen und schließt keine Rechtsmittel aus, die Ihnen laut Gesetz zur Verfügung stehen.

In Ländern, in denen Haftungsbeschränkungen nicht gesetzlich ausgeschlossen sind, darf die Haftungshöchstgrenze von Tivoli Audio den Kaufpreis, den Sie für das Produkt bezahlt haben, nicht überschreiten. In Ländern, in denen Haftungsbeschränkungen von Gesetzes wegen ausgeschlossen sind, haftet Tivoli Audio nur für den direkten Schaden bei Körperverletzungen und/oder an beweglichem und unbeweglichem Eigentum, der durch die Nachlässigkeit von Tivoli Audio entstanden ist.

Wenn dies nicht gesetzlich untersagt ist, haftet Tivoli Audio nicht für besondere, indirekte, Neben- oder Folgeschäden. In einigen Ländern sind Haftungsbeschränkungen sowie der Ausschluss und die Beschränkung von Rechtsmitteln bei besonderen, indirekten, Neben- oder Folgeschäden sowie die Beschränkung der Haftungssumme nicht gestattet, so dass die oben aufgeführten Beschränkungen oder Ausschlüsse möglicherweise nicht für Sie gelten.

Diese Garantie ist ungültig, wenn das Etikett mit der Seriennummer entfernt oder beschädigt wurde.

Wenn Sie bei Ihrem Händler einen erweiterten Servicevertrag abgeschlossen haben und nach Ablauf der Frist dieser beschränkten Garantie ein Service erforderlich ist, wenden Sie sich bitte an den Anbieter Ihres erweiterten Servicevertrags, um die Serviceleistung zu erhalten.

Sie können Ihr Produkt ganz bequem online auf unserer Website, www.tivoliaudio.com, für den Garantieservice registrieren. Sie sind gesetzlich nicht verpflichtet, persönliche Daten zur Verfügung zu stellen. Diese Daten gestatten es uns jedoch, einen Nachweis über die von Ihnen erworbenen

Produkte von Tivoli Audio zu führen und die Käufer unserer Produkte besser zu verstehen. Die erfassten Daten werden von Tivoli Audio zu Marketingzwecken verwendet und, wenn es zulässig ist, werden wir Sie anhand der Daten in Bezug auf die Produkte, die Sie erworben haben und andere Produkte, die für Sie interessant sein könnten, kontaktieren. Die Daten, die Sie zur Verfügung stellen, dürfen in einem anderen Land weiterverarbeitet werden.

Für Serviceleistungen kontaktieren Sie bitte Ihren Händler oder Großhändler vor Ort.

Technische Daten

Modell:	Tivoli Audio Model Three™ BT
Typ:	Analoger AM/FM-Quartz-Radiowecker mit <i>Bluetooth</i> -Wireless-Technologie
Treiber:	Ein 76.2 mm (3") Treiber für gesamten Bereich, magnetisch abgeschirmter
Stromversorgung:	M3-PS, 12 VDC, 1.5 A, 120V-60 Hz (UL); 230V-50 Hz (CE)
Radioweckerbatterie:	AA/UM-3 1,5 V Alkali-Batterie
Abmessungen:	21.3 cm W x 11.4 cm H x 13.3 cm D (8.375" W x 4.5" H x 5.25" D)
Gewicht:	1.70 kg (3.75 lb)

Technische Änderungen vorbehalten.

Tivoli Audio behält sich technische Änderungen ohne Ankündigung vor.

Tivoli Audio, das Tivoli Audio Logo und der Modellname Model Three sind eingetragene Warenzeichen der Firma Tivoli Audio, LLC. Die *Bluetooth* Wortmarke und-Logos sind eingetragene Warenzeichen der Bluetooth SIG, Inc. und jede Verwendung dieser Marken durch die Tivoli Audio erfolgt unter Lizenz. iPod, iPod touch, iPhone, und iPad sind Marken der Apple Inc., die in den USA und weiteren Ländern eingetragen sind.





Este símbolo pretende alertar al usuario de la presencia de “voltaje peligroso” sin aislamiento dentro del producto., que puede ser suficiente para constituir un riesgo de descarga eléctrica a las personas.



Este símbolo pretende alertar al usuario de la presencia de instrucciones de operación y mantenimiento (Servicio) en la literatura que acompaña al aparato.

Instrucciones de Seguridad

1. Lea estas instrucciones.
2. Conserve este manual.
3. Preste atención a todas las advertencias.
4. Siga todas las instrucciones.
5. ADVERTENCIA - Para reducir el riesgo de incendio o descarga eléctrica no exponga este producto a agua o la humedad.
6. Límpielo solamente con un paño seco.
7. No obstruya ninguna de las aberturas de ventilación. Instálelo de acuerdo con las instrucciones del fabricante.
8. No instale el producto cerca de fuentes de calor tales como radiadores, salidas de calefacción, estufas ni otros aparatos (Incluyendo amplificadores) que produzcan calor.
9. No anule la protección proporcionada por el conector de toma a tierra. Una toma de alimentación posee una toma a tierra para su seguridad. Si la toma proporcionada no coincide con las tomas de su sistema de distribución consulte a un electricista para reemplazar la toma obsoleta. No sobrecargue las tomas ni las extensiones de alimentación.
10. Proteja el cable de alimentación de pisadas y pinchazos, especialmente en las tomas de alimentación, en los lugares expuestos al tránsito y en el punto en el que sale del aparato.
11. Utilice sólo los accesorios o complementos especificados por el fabricante.
12. Sitúe la unidad sobre el soporte, trípode, carrito, estantería o mesa especificados por el fabricante o vendido con el aparato. Cuando se use un carrito, tenga precaución a la hora de moverlo para evitar daños por caída.
13. Desenchufe este aparato durante tormentas eléctricas o cuando no se lo utilice por largos períodos de tiempo.
14. Opere este producto sólo desde el tipo de fuente de alimentación indicada en el panel trasero. Para productos que utilicen una fuente de alimentación externa, utilice un recambio exacto si



ésta es extraviada o dañada. Para productos que operen alimentados con baterías, diríjase al manual del usuario.

15. Desconecte este producto y diríjalo a personal de servicio cualificado bajo las siguientes circunstancias:
 - a. Cuando el cable o conector de alimentación esté dañado.
 - b. Si se ha derramado líquido u objetos han caído dentro del producto.
 - c. Si el producto se ha expuesto a agua o lluvia.
 - d. Si el producto no funciona normalmente aún siguiendo las instrucciones.
 - e. Si el producto ha sufrido una caída o se ha dañado en algún modo.
 - f. Cuando el producto exhibe un marcado cambio en su funcionamiento.
16. Cuando sea necesario reemplazar piezas, asegúrese de que su técnico de servicio utilice las piezas especificadas por el fabricante o con las mismas características que la pieza original. Las sustituciones no autorizadas pueden ocasionar incendios, descargas eléctricas u otros peligros.
17. Al finalizar cualquier servicio, pida al técnico que realice comprobaciones de seguridad para confirmar que el producto está en buenas condiciones de funcionamiento.
18. Mantenga este producto a una distancia segura de una llama, como por ejemplo la de una vela.
19. No exponga este producto a goteos o fluidos. Objetos que contengan líquidos, como recipientes o vasos para beber no deben ser colocados encima de este producto.
20. La temperatura recomendada de operación es entre 5°C y 40°C (41°F - 104°F).
21. La entrada de 12 VDC es adecuada para el funcionamiento de este producto en un barco o una caravana con una 12 VDC opcional, fusionado 2 A adaptador.
22. ADVERTENCIA - La red eléctrica no está desconectada en la posición de apagado OFF , pero los circuitos dejan de ser alimentados.
23. Canadá cumple con RSS210, ICES-003.
24. El adaptador de energía sirve como dispositivo de desconexión y deberá permanecer fácilmente accesible.



ADVERTENCIA: EL MODEL THREE BT EL QUE SE ADHIERA UNA ANTENA TELESCÓPICA EXTERNA NO DEBE SEPARARSE.



Este producto puede ser reciclado. Los productos identificados con este símbolo NO deben ser arrojados con desperdicios domésticos normales. Cuando la vida de este producto llegue a su fin, llévelo hasta un punto de recogida específica de reciclado de dispositivos eléctricos y electrónicos. Infórmese sobre la localización de puntos de recolección a través de sus autoridades locales.

La Directiva Europea de Desperdicios Eléctricos y Electrónicos (WEEE) fue implementada para reducir drásticamente la cantidad de desperdicios en los basureros, y por ende reducir el impacto negativo sobre la salud del planeta y humana. Por favor actúe responsablemente reciclando productos usados. Si este producto se encuentra aún en condiciones de funcionamiento, considere cederlo o venderlo.

Instrucciones del Model Three BT

Felicitaciones por la adquisición del Model Three BT. Creemos que este modelo es uno de los mejores relojes con radio AM/FM del mercado. Con la integración de tecnología *Bluetooth*, podrá transmitir música por vía inalámbrica al Model Three BT.

Para aprovechar al máximo todo lo que el Model Three BT tiene para ofrecer, tómese tiempo para leer este manual de instrucciones. Si tuviera preguntas, no dude en comunicarse con el comercio distribuidor o directamente con Tivoli Audio.

Por favor, guarde la caja y el embalaje original por si tiene que transportar el radio, daños durante el transporte no están cubiertos por la garantía de fábrica.

Gracias en nombre de todos nosotros, por la elección de Tivoli Audio y disfrutar de su nueva radio Model Three BT!

Sobre Tivoli Audio

Tivoli Audio fue creada por Tom DeVesto con el propósito de introducir productos de audio de alta calidad, fáciles de utilizar para el consumidor a precios razonables. Como presidente y director de investigación y desarrollo de su antigua compañía, Cambridge SoundWorks*, Tom fue el responsable de muchos de los productos de entretenimiento doméstico y multimedia de mayor venta en el mercado hoy en día. También ha mantenido cargos de gestión en el desarrollo de productos para Advent y Kloss Video.

*Cambridge SoundWorks es una marca registrada de Creative Technology, Singapur.

Equipado con su Model Three BT usted debe encontrar cada uno de los siguientes elementos:

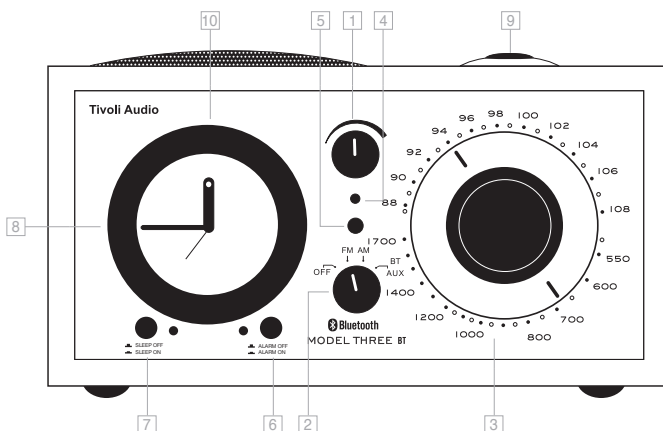
- Una (1) antena FM con cable o una (1) antena FM telescópica (dependiendo del país).
- Una (1) fuente de energía externa
- Una pila "AA"

Por favor, póngase en contacto con su distribuidor o Tivoli Audio, si cualquiera de estos artículos no fue incluido.

Pasos Iniciales

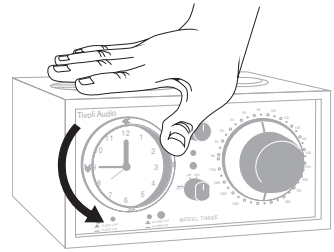
1. Introduzca la pila "AA" que viene con la unidad en el compartimento trasero (observe la polaridad correspondiente).
2. Pulse el botón "Time Set" hasta ajustar el reloj a la hora correcta.
3. Enchufe el conector externo de alimentación en la entrada trasera eléctrica y conecte el otro extremo del cordón a un tomacorriente.
4. Encienda el Model Three BT en FM o AM, sintonice una estación de radio y regule el volumen al nivel deseado.

Guía A Las Características (Panel Frontal)



1. **VOLUMEN:** Girar la perilla de volumen hacia la derecha para aumentar el volumen y hacia la izquierda para disminuirlo. La misma perilla sirve también para controlar el volumen del auricular (no incluido en el envase) cuando está conectado.
2. **BOTON OFF/FM/AM/AUX:** Gire el botón una posición hacia la derecha para escuchar la banda de FM, dos posiciones para escuchar la banda de AM y tres posiciones para seleccionar la entrada auxiliar. Para activar *Bluetooth*, cambie a la posición de auxiliar y siga los pasos descritos en la “Operación *Bluetooth*”.
3. **SINTONIZACIÓN:** Girar la perilla de sintonía hacia la derecha o izquierda para cambiar la frecuencia de la banda (AM o FM).
4. **LUZ DE ENCENDIDO:** Se ilumina en verde cuando la perilla de búsqueda está en posición diferente a OFF (apagado), exceptuando cuando está activado el despertador.
5. **INDICADOR DE SINTONIZACIÓN:** Se enciende una luz de color ámbar cuando se ha logrado la mejor sintonización posible. En algunas estaciones de la AM el indicador de sintonización no se enciende: tendrán que sintonizarse a oído para lograr la señal más clara.
6. **DESPERTADOR:** Para regular el despertador, una vez programado el horario, lo primero que hay que hacer es presionar el pulsador para activarlo. La luz de encendido se tornará verde como confirmación de la operación. La luz verde queda encendida hasta que se desactive el pulsador del despertador.
7. **FUNCIÓN SLEEP PARA DORMIR:** Girar la perilla de sintonía hasta AM o FM, seleccionar la estación de radio preferida para dormirse y ajustar el volumen al nivel deseado. Presionar el pulsador “sleep”, después de lo cual se encenderá una luz verde. La radio se apagará automáticamente después de aproximadamente 20 minutos. El LED luminoso estará encendido hasta que el pulsador “sleep” se apague o no haya terminado la función.

8. **HORARIO DEL DESPERTADOR:** Girar hacia la izquierda el anillo de aluminio que está alrededor del reloj hasta que la aguja roja del despertador esté en el horario designado para que suene el despertador. **No girar el cuadrante de la alarma en sentido horario ya que podría dañarse el mecanismo.**

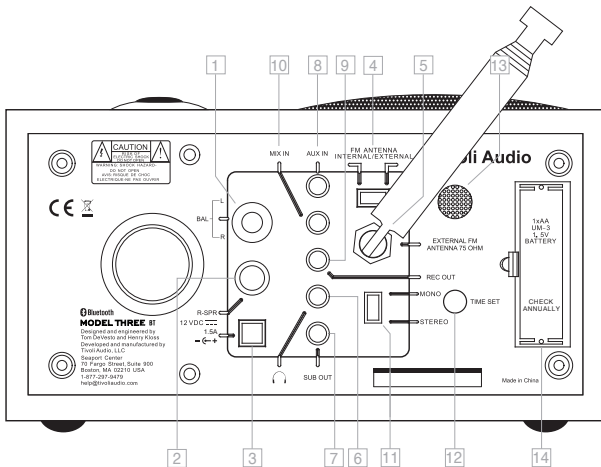


9. **FUNCIÓN SNOOZE PARA DORMITAR (PARTE SUPERIOR DE LA RADIO):** Cuando suena el despertador, presionar por algunos segundos el pulsador ubicado en la parte superior de la radio SNOOZE, con lo cual se logra que el despertador deje de sonar por 5 minutos; después de ese período sonará el despertador nuevamente.

10. **RELOJ:** El reloj analógico está provisto de un mecanismo de cuarzo que brinda una precisión excepcional. El reloj funciona por medio de una batería "AA" de modo que incluso cuando haya una falta de tensión en la red, no se vea perjudicado el buen funcionamiento del reloj. Un control anual de las baterías asegurará un continuo y adecuado mantenimiento del producto. La iluminación del reloj no se puede apagar ni regular. Es normal que la luz emplee algunos segundos para apagarse incluso después de haber retirado la batería.

Nota importante: Por la simplicidad con que fue diseñado el mecanismo analógico del dial de la alarma, podría haber una diferencia de cinco minutos en la hora a la que la alarma se activa. Por ejemplo, si se programa la alarma a las 10:00, es posible que se active a las 9:55 o a las 10:05. Es recomendable programar la alarma cinco minutos más temprano la primera vez que se la usa, a fin de compensar esta diferencia. A medida que se use el Model Three BT podrá detectar con más precisión la diferencia y programar la alarma para que suene a la hora deseada.

Guía A Las Características (Panel Posterior)



1. **BALANCE:** Es posible conectando el altavoz adicional (vendido por separado y denominado también «companion speaker») y ajustando la llave Mono/Stereo en la posición "Stereo". Girar la perilla del balance hacia arriba para escuchar la unidad de la izquierda (unidad principal), o hacia abajo para escuchar la unidad de la derecha (altavoz adicional). Si se coloca la palanca en el centro estará balanceado el sonido de los dos altavoces.

2. **R SPR:** Conectar el cable macho RCA del altavoz adicional (vendido por separado) a la unidad principal y cambiar la palanca “Stereo/Mono” a la posición Stereo. La conexión de una unidad diferente al altavoz adicional de Tivoli Audio a la unidad principal de Model Three BT elimina la garantía y, además se corre el riesgo de dañar la radio.
3. **12VDC:** Utilice el alimentador eléctrico AC incluido en los accesorios del Radio, o utilice un alimentador DC opcional. No se recomienda conectar el Model Three BT a una fuente de alimentación con interruptor de apagado. Debido a que si por error este interruptor se apaga, no funcionará la alarma del despertador. **Utilice sólo la fuente de alimentación eléctrica proveída a este producto.** En caso de pérdida o daño del alimentador entregado, utilizar uno equivalente o idéntico. El conector es de 5,5 mm/2,1 mm con el centro positivo.
4. **SELECTOR DE ANTENA FM:** Permite cambiar entre antena interna o externa FM. Este cambio no afecta la recepción de AM. En algunos casos, la recepción FM puede ser mejorada cambiando ésta a modo externo.
5. **CONEXION FM EXTERNA:** Cuando escuche FM, dependiendo del país, tendrá que conectar el cable de antena incluido en accesorios, en el conector F, o bien ajustar la antena exterior telescópica. En lugares donde la señal FM es fuerte, puede mejorar la recepción reduciendo la longitud de la antena. Cuando la unidad está apagada o cuando escucha la AM, mantenga la antena retraída para protegerla. La antena no tiene ninguna influencia en la recepción AM. Para más detalles vea el apartado “Recepción”.
6. **SALIDA DE AURICULARES:** Conecte a este conector una clavija de auriculares para escuchar con auriculares. Al introducir la clavija se desactivará el altavoz principal.
7. **SUB OUT:** Conecte el cable de audio suministrado con el Tivoli Audio Model Subwoofer (u otro subwoofer compatible) a esta salida. Esta toma admite conectores macho de 3,5 mm.
8. **AUX IN:** Para escuchar el audio de otro dispositivo, como un reproductor de CD, reproductor MP3 o un ordenador; conecte dicho dispositivo de salida de audio a esta entrada estéreo y cambie el botón de fuente delantera a AUX. El cambio a la posición AUX no enciende el dispositivo conectado. Esta entrada estéreo acepta un mini conector macho estéreo de 3,5 mm. La toma AUX IN está desactivada cuando un dispositivo *Bluetooth* está conectado. Primero debe desconectar cualquier dispositivo *Bluetooth* para utilizar la función de cable AUX IN.
9. **REC OUT:** Usted puede grabar con el Model Three BT mediante la conexión de entrada de audio de un reproductor de cassetes (o de otro dispositivo de grabación) con la salida fija estéreo. También puede utilizar el modelo de tres radio de BT como un sintonizador analógico de alto rendimiento mediante la conexión a la entrada de audio de un preamplificador o amplificador integrado. El primer altavoz no se silenciará cuando se utiliza esta salida. Este conector acepta un mini conector macho de 3,5 mm estéreo.
10. **MIX IN:** Conecte la salida de audio de otra fuente, como una computadora, a esta entrada para escuchar el audio mezclado con la emisión de AM o FM. Con el Model Three BT en modo Auxiliar, esta entrada actúa como una segunda entrada Auxiliar. Esta entrada estéreo admite conectores macho de 3,5 mm. El nivel de volumen se controla a través de la fuente.
11. **MONO/STEREO:** Esta palanca debe quedar en la posición “Mono” si el altavoz adicional (vendido por separado) no estuviera conectado; en el caso que estuviese conectado, la palanca debería ser llevada a la posición “Stereo”. Si se está utilizando el altavoz adicional con la palanca en la posición “Stereo”, se puede comparar la diferencia de sonido desplazando la palanca a la posición “Mono” mientras se está escuchando la radio. De esta manera el sonido en «FM» podría volverse más limpio eliminando el ruido de fondo. Los auriculares y una fuente externa de grabación son “estéreo” y son independientes del desplazamiento de la palanca, a

menos que la perilla de encendido no esté ubicada en la posición “AM” (banda siempre Mono) o en la posición FM y la palanca esté en la posición “Mono”.

- 12. AJUSTE DEL RELOJ:** Pulse brevemente y suelte este botón para avanzar las manecillas del reloj en pequeños incrementos. Mantenga pulsado este botón para que avancen continuamente las manecillas del reloj. Suelte el botón cuando el reloj esté ajustado correctamente. Asegúrese de que el botón de alarma esté en la posición de apagado cuando ajuste la hora.
- 13. REJILLA DEL DESPERTADOR:** El sonido del despertador sale a través de esta rejilla, por ende no la obstruya.
- 14. CAMBIO DE BATERÍA:** Retire la batería vieja y coloque una nueva del tipo 1,5V “AA” alcalinas, prestando atención a la correcta polaridad +/- . El reloj también funciona sin batería, en caso de corte de energía eléctrica. la batería funciona como un respaldo, manteniendo la hora del reloj y el sonido del despertador, siempre que el pulsador del despertador esté ubicado en la posición “On”. La luz del reloj y la radio no funcionarán durante la falta de suministro de energía eléctrica desde la red; esto conserva la vida útil de la batería. Una vez por año controle la carga de la batería y reemplácela sólo por una de 1,5V “AA” alcalinas de las mejores marcas de baterías. Si el reloj dejara de funcionar, reemplace la batería. Elimine las baterías descargadas según las normas de regulación del país de uso. Retire la batería del Model Three BT si éste va a ser guardado sin uso por un largo tiempo.

Operando la Función *Bluetooth*

Antes de realizar la vinculación, verifique que el dispositivo es compatible con *Bluetooth* 2.1 + EDR A2DP y que el dispositivo no esté conectado a cualquier otro producto *Bluetooth*. Los dispositivos pueden ser vinculados de diferentes maneras. A continuación se muestra una guía general.

1. Encienda el Model Three BT en la posición de auxiliar. Esto activa la vinculación *Bluetooth*. Suba el volumen alrededor de $\frac{1}{4}$ para empezar. Suba también el volumen en el dispositivo fuente (dispositivo desde el cual está transmitiendo el audio).
2. Encienda la tecnología inalámbrica *Bluetooth* en el dispositivo habilitado.
3. Seleccione “Tivoli *Bluetooth* (Not Paired)” cuando esto aparece en la pantalla de su dispositivo para iniciar la búsqueda. Algunos dispositivos pueden solicitar un PIN. Si es así, introduzca “0000”. “Tivoli *Bluetooth*” cambiará de “Not Paired”(no vinculado a “Connected” (conectado).
4. Usted escuchará un tono de timbre del Model Three BT confirmando la conexión y podrá empezar a escuchar sus archivos de música de forma inalámbrica. Ajuste el nivel del volumen en su dispositivo. Usted no tendrá que emparejar el dispositivo nuevamente. **Dependiendo de su dispositivo, quizás necesite hacer intentos múltiples para emparejarlo y/o conectarlo al Model Three BT, pero dele un tiempo adecuado a su dispositivo para que se empareje o conecte antes de repetir el proceso.**

Emparejamiento Con Tecnología Inalámbrica *Bluetooth* Para iPhone / iPod Touch / iPad

1. Encienda el Model Three BT a la posición de auxiliar. Esto activa el *Bluetooth*. Suba el volumen alrededor de $\frac{1}{4}$ de empezar. Suba también el volumen en el dispositivo fuente, (el dispositivo desde el cual está transmitiendo el audio).
2. Seleccione “Settings” (dependiendo de la version Software).
3. Seleccione “General”.

4. Seleccione “Bluetooth”.
5. Cambiar *Bluetooth* “On” para iniciar la búsqueda.
6. Seleccione “Tivoli *Bluetooth* (Not Paired)” cuando aparezca esto en la pantalla. Si se le pide que introduzca un PIN, introduzca “0000”. “Tivoli *Bluetooth*” cambiará de “Not Paired” a “Connected”.
7. Usted escuchará un tono de timbre del Model Three BT confirmando la conexión y podrá empezar a reproducir sus archivos de música de forma inalámbrica. Usted no tendrá que sincronizar el iPhone / iPod / iPad nuevamente.

El nivel de volumen de salida de archivos de música varía. Si usted prefiere un nivel de producción aún más alto, compruebe la configuración de su iPhone / iPod touch / iPad: Ajuste el EQ Off, el SoundCheck Off, y el límite de volumen Off.

Si alguna vez tiene un problema con la vinculación, pulse la pequeña flecha a la derecha de “Tivoli *Bluetooth*” en su pantalla de iPhone / iPod touch / iPad y seleccione “Forget this Device”, a continuación, repita el proceso de emparejamiento. **Dependiendo de su dispositivo, quizás necesite hacer varios intentos para emparejarlo y/o conectarlo al Model Three BT, pero dele un tiempo adecuado a su dispositivo para que se empareje o conecte antes de repetir el proceso.**

Cuando escuche la transmisión puede pulsar en la flecha azul a la derecha de la pista siguiente botón >>/ en la pantalla de el iPhone / iPod touch / iPad para alternar entre el iPhone / iPod / iPad y *Bluetooth*.

NOTA:

- El Model Three BT va a recordar la información de sincronización con hasta 8 dispositivos. Dispositivos adicionales pueden emparejarse, pero el dispositivo menos usado recientemente se sustituye por el dispositivo recién emparejado.
- Si el audio se pierde o se detiene durante la reproducción, mueva el dispositivo más cercano a la Model Three BT, o asegúrese de que otro dispositivo inalámbrico no está interfiriendo con la señal.
- Cuando se cambia de *Bluetooth* para AM o FM, es posible que tenga que volver a ajustar el volumen de la radio.

Recepción

Las antenas interiores FM y AM proporcionarán una buena recepción. Para AM, gire la radio para una mejor recepción. Una antena opcional de AM inalámbrica puede ofrecer una mejora en la recepción de AM.

Edificios construidos con hormigón, acero, o aluminio impiden la recepción. Los electrodomésticos, mantas eléctricas, computadoras, reproductores de CD y otros dispositivos electrónicos también pueden afectar negativamente en la recepción o producir ruido. Si Usted experimenta esto, mueva el radio Model Three BT lejos de estos dispositivos o conéctelo a una toma de corriente que no esté compartida con otro dispositivo. Las superficies de metal también puede dificultar la recepción de AM.

Ubicación

Coloque la unidad sobre una superficie plana y estable. En una librería, mueble, o cerca de paredes o esquinas puede aumentar los bajos.

Limpieza

Nunca use limpiadores abrasivos o solventes en su radio. Evite rociar sprays de cera. Desenchufe su Radio Model Three BT antes de la limpieza. Su superficie puede ser limpiada con un paño suave y un poco húmedo. Pintar o teñir la caja de madera implica la anulación de la garantía.

NOTA: Las cajas de Tivoli Audio tienen revestimientos de madera auténtica. Puesto que la madera natural es de una gran variedad, no es posible conseguir una correspondencia exacta del color y el vetado de la misma entre modelos. Puede que la caja se vaya oscureciendo con el paso del tiempo por su exposición a la luz solar. Es habitual que esto suceda a la madera auténtica.

También es posible que las chapas teñidas como las de color azul, rojo, etc., se destiñan debido a la exposición a la luz del sol. Esto no está cubierto por la garantía.

Garantía Limitada

Tivoli Audio fabrica sus productos con unos niveles de calidad muy altos y tenemos plena confianza en su buen funcionamiento. En consecuencia, proveemos al propietario original de este producto de una garantía limitada contra defectos de fabricación en el material y mano de obra. Esta garantía no es transferible.

Los productos adquiridos en la Unión Europea, Suiza y Noruega tienen un período mínimo de garantía de dos años. En los países donde los períodos mínimos de garantía están establecidos por ley, el período de garantía será el legalmente exigido. En todo el resto de lugares, el período de garantía será de un año.

La Garantía Limitada cubre la funcionalidad del producto en su uso designado normal, tal y como se especifica en este Manual del Usuario. No cubre ningún mal funcionamiento o daño ocasionado por uso o instalación indebidos o irrazonables, uso del cargador para cargar pilas alcalinas, de equipo auxiliar defectuoso, modificaciones, reparaciones no autorizadas, pérdida o daños ocasionados por el transporte, abuso, accidentes, uso de corriente o voltaje indebidos, subidas de tensión, caída de rayos u otras causas fortuitas, exceso de humedad, uso o desgaste natural, uso comercial o adquisición en representantes no autorizados. Un justificante de compra que demuestre que la unidad fue adquirida en un representante autorizado puede ser requerido para el servicio de garantía..

Contacte por favor con el representante de compra o el distribuidor local para el servicio de garantía o de reparación.

Por favor, absténgase de abrir o desmontar este producto ya que con ello invalidaría esta Garantía Limitada. En su interior no hay componentes utilizables. Tivoli Audio no pagará los costes incurridos debido a la corrección de problemas en la recepción, eliminación de interferencias o ruidos generados externamente, pérdida de tiempo, inconveniencias, pérdida de utilidad del producto o daños ocasionados por el uso indebido de este producto.

En el caso que el producto sea devuelto durante el período de garantía y reúna los requisitos para el servicio bajo esta Garantía Limitada, lo repararemos o sustituiremos cualquier componente defectuoso en un periodo de tiempo razonable y sin cargo alguno..

ESTA GARANTÍA LIMITADA LE OTORGA UNOS DERECHOS LEGALES ESPECÍFICOS SUJETOS A CONDICIONES ESPECÍFICAS. USTED TAMBIÉN PUEDE TENER OTROS DERECHOS LEGALES APLICABLES AL PRODUCTO QUE HA ADQUIRIDO. ESTOS DERECHOS LEGALES VARIÁN SEGÚN EL PAÍS. ALGUNOS LUGARES NO PERMITEN LA EXCLUSIÓN, RESTRICCIÓN O MODIFICACIÓN DE DETERMINADOS DERECHOS IMPLÍCITOS O SU EFECTO. EN ESAS SITUACIONES ESTA GARANTÍA LIMITADA SE APLICARÁ SÓLO EN LA MEDIDA QUE PERMITA LA LEY APLICABLE.

Las leyes de su país pueden proveerle de reclamaciones legales ante el vendedor o fabricante de este producto. Esta Garantía Limitada no afecta a esos derechos.

Las disposiciones de esta Garantía Limitada son a cambio de cualquier otra garantía o condiciones, excepto las establecidas por la ley. Esta Garantía Limitada no afecta a cualquier derecho legal que le sea conferido por ley y no excluye ningún recurso que usted pueda tener por ley.

En países donde los límites de responsabilidad no están excluidos por ley, la responsabilidad máxima de Tivoli Audio no excederá el importe de compra desembolsado por usted para el producto. En países donde los límites de responsabilidad están excluidos por ley, Tivoli Audio será responsable por no más que de los daños y perjuicios directos, por daños corporales, y/o de propiedad real o personal ocasionados por negligencia de Tivoli Audio.

Donde no esté prohibido por ley, Tivoli Audio no será responsable de daños especiales, adicionales, resultantes o indirectos. Algunos lugares no permiten limitaciones en la exclusión o restricción de agravio, o la limitación de responsabilidad en valores establecidos, de manera que las limitaciones o exclusiones anteriores pueden no ser aplicables en su caso.

Esta Garantía Limitada queda anulada si la etiqueta que muestra el número de serie ha sido extraída o es ilegible.

Si usted adquirió un contrato de servicio prorrogado de su representante y necesita de servicio una vez expirado el período de esta Garantía Limitada, contacte por favor con el proveedor de su contrato de servicio prorrogado para obtener dicho servicio.

Para su comodidad, usted puede registrar su producto para el servicio de garantía online en nuestro sitio web, www.tivoliaudio.com. No tiene ninguna obligación legal de facilitar información personal. Sin embargo, esta información nos permite mantener un registro de los productos Tivoli Audio adquiridos por usted y entender mejor a los compradores de nuestros productos. La información recogida será utilizada con fines de marketing por Tivoli Audio y, cuando sea permitido, para contactarle en relación con los productos adquiridos por usted o con otros productos de Tivoli Audio, u otras compañías, que puedan ser de su interés. La información que usted nos facilite puede ser procesada en otro país.

Especificaciones

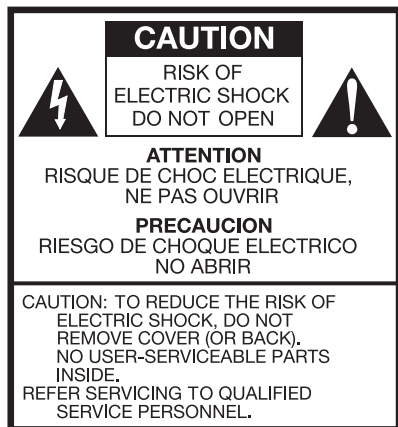
Modelo:	Tivoli Audio Model Three BT
Tipo:	Reloj analógico de cuarzo con radio AM/FM y tecnología inalámbrica <i>Bluetooth</i>
Conductor:	Un 76,2 mm (3") gama completa de frecuencias, magnéticamente blindado
Fuente de alimentación:	M3-PS, 12 VCC, 1.5 A, 120 V-60 Hz (UL); 230 V-50 Hz (CE)
Pila del reloj:	Alcalina AA/UM-3 de 1.5 V
Dimensione:	21,3 cm W x 11,4 cm H x 13,3 cm D (8,375" W x 4,5" H x 5,25" D)
Peso:	1,70 kg (3,75 lb)

Todas las especificaciones están sujetas a cambio sin previo aviso.

Tivoli Audio se reserva el derecho a realizar cambios en el producto sin previo aviso.

Tivoli Audio, el logo de Tivoli Audio, y Model Three son marcas registradas de Tivoli Audio, LLC. La marca *Bluetooth* y sus logotipos son marcas comerciales registradas propiedad de Bluetooth SIG, Inc. y cualquier uso de dichas marcas por parte de Tivoli Audio se encuentra bajo licencia. iPod, iPod touch, iPhone, y iPad touch son marcas comerciales de Apple Inc., registradas en EE UU y en otros paísesnados pueden ser marcas comerciales de sus respectivos titulares.





Ce symbole vous averti du risque de choc électrique pour l'utilisateur du fait de la présence à l'intérieur de l'appareil de courant électrique non isolé.



Ce symbole vous averti de l'existence d'importantes instructions d'utilisation et de maintenance dans le mode d'emploi joint à l'appareil.

Précautions D'emploi

1. Lisez ces consignes.
2. Conservez ces consignes.
3. Observez tous les avertissements.
4. Suivez toutes les instructions.
5. Ne pas utiliser cet appareil près de l'eau. Par exemple, ne pas utiliser à proximité d'une baignoire, dans une cave humide, près d'une piscine et autres endroits similaires. **AVERTISSEMENT!** Protéger ce produit de la pluie ou de l'humidité.
6. Nettoyer à l'aide d'un chiffon sec seulement.
7. Ne pas obstruer les ouvertures de ventilation. Veiller à observer les instructions du fabricant pour l'installation.
8. Ne pas installer à proximité de sources de chaleur telles que des radiateurs, des bouches d'air chaud, des poêles, ou d'autres appareils qui dégagent de la chaleur (y compris des amplificateurs).
9. Ne pas compromettre la sécurité en modifiant la polarité ou la mise à la terre de la fiche. Une fiche polarisée comporte deux broches plates dont l'une est plus large que l'autre. Une fiche avec terre comporte deux broches plates avec une troisième broche pour la terre. La broche plate large ou la troisième broche est prévue pour votre sécurité. Si la fiche livrée avec votre appareil ne correspond pas à votre prise, consulter un électricien pour remplacer toute prise obsolète.
10. Éviter de marcher sur le câble d'alimentation ou de le pincer tout particulièrement au niveau des fiches, des prises de courant, et à l'endroit où il émerge de l'appareil.
11. N'utiliser que des équipements/accessoires spécifiés par le fabricant.
12. N'utiliser qu'avec le chariot, la station d'accueil, le trépied, le support ou la table spécifiée par le fabricant, ou vendu avec l'appareil. En cas d'utilisation d'un chariot, il y a lieu de faire preuve de prudence au moment de déplacer l'ensemble chariot/appareil pour éviter tout risque de blessure qui pourrait être occasionné par le renversement de celui-ci.
13. Débranchez votre appareil en cas de risque de foudre ou pendant une absence prolongée de votre domicile.



14. Ne faire fonctionner ce produit qu'avec le type de source électrique spécifiée sur le panneau arrière. Pour les produits faisant appel à une alimentation externe, utiliser un équivalent exact pour le remplacement en cas de perte ou de dommage. Pour les produits fonctionnant avec des piles, consulter le manuel d'utilisation.
15. Débrancher ce produit du secteur et confier les interventions de service à un technicien qualifié dans les cas suivants:
 - a. Lorsque le cordon d'alimentation ou la fiche est endommagé.
 - b. Lorsque du liquide ou des objets ont pénétré dans le produit.
 - c. Si votre appareil a été exposé à la pluie ou à l'eau..
 - d. Si le produit ne fonctionne pas normalement lorsque toutes les instructions d'utilisation ont été observées.
 - e. En cas de chute ou si le produit a été endommagé d'une quelconque façon.
 - f. En cas de changement perceptible des performances du produit.
16. Lorsque des pièces de rechange sont nécessaires, assurez-vous que votre technicien a utilisé des pièces de rechange spécifiées par le fabricant ou ayant les mêmes caractéristiques que la pièce d'origine. Des substitutions non autorisées peuvent causer un incendie, de choc électrique, ou d'autres dangers.
17. À la fin de tout service, demandez au technicien d'effectuer des contrôles de sécurité pour confirmer que le produit est en bon état de fonctionnement.
18. Veiller à maintenir le produit à distance respectable de toute flamme, comme celle d'une bougie par exemple.
19. N'exposez pas cet appareil à des projections d'eau. Les objets contenant du liquide ne doivent pas être placés à proximité de votre appareil ou au-dessus.
20. La température de fonctionnement de votre appareil est de 5°C à 40°C (41°F à 104°F).
21. L'entrée 12 VDC est adapté pour utiliser ce produit dans un bateau ou camping-car en utilisant un 12 VDC en option, 2 A fusionné adaptateur.
22. AVERTISSEMENT - Les conduites ne sont pas déconnectées de la position d'arrêt, mais les circuits ne sont pas alimentés.
23. Le Canada se conforme à la norme RSS210, ICES-003.
24. L'adaptateur d'alimentation fait office de dispositif de déconnexion et doit rester accessible à tout moment.



AVERTISSEMENT: L'ANTENNE TÉLESCOPIQUE D'UN MODÈLE EXTERNE FIXÉ N'EST PAS DESTINÉE À ÊTRE DÉTACHÉE.



Cet appareil peut être recyclé. Les produits portant ce symbole ne doivent pas être jetés avec les ordures ménagères. En fin de vie, vous devez déposer votre appareil dans un point de collecte de produits électriques et électroniques. Pour plus d'informations, vous pouvez contacter votre revendeur ou l'agence locale de l'environnement.

La Directive européenne pour l'élimination des déchets d'équipements électriques et électroniques (DEEE) a été mise en application pour réduire de manière importante la quantité de déchets afin de diminuer l'impact écologique sur la planète et sur la santé. Agissez de manière responsable en recyclant les produits usagers. Si ce produit est toujours en état de fonctionnement, pensez à le vendre ou à le donner.

Instructions Pour le Model Three BT

Nous vous félicitons pour votre achat de Model Three BT. Nous sommes convaincus que Model Three BT est l'un des meilleurs radios-réveils AM/FM disponibles. Grâce à l'incorporation de la technologie sans fil *Bluetooth*, vous pouvez jouer votre musique en flux continu sur le Model Three BT.

Pour être en mesure de tirer pleinement profit des capacités de votre nouveau Model Three BT, prenez le temps de lire ce manuel de l'utilisateur dans son intégralité. Si vous avez la moindre question, n'hésitez pas à faire appel à votre revendeur ou à Tivoli Audio directement.

S'il vous plaît conservez le carton et l'emballage d'origine au cas où vous aurez besoin d'expédier votre radio. Les dommages liés au transport ne sont pas couverts par la garantie d'usine.

Nous vous remercions d'avoir choisi Tivoli Audio. Profitez bien de votre nouvelle radio Model Three BT!

A Propos de Tivoli Audio

La marque Tivoli Audio a été créée par Tom DeVesto. Son but était de créer des produits au design élégant, de qualité audio remarquable et d'utilisation simple. En qualité de Directeur Exécutif (CEO) et Directeur du département Recherche et Développement, de sa précédente entreprise Cambridge SoundWorks* Tom DeVesto a mis au point de très performants produits destinés aux marchés de la Haute-Fidélité ou du Multimédia. Tom a également fait partie du comité de direction d'entreprises telles qu'Advent et Kloss Video.

*Cambridge SoundWorks est une marque déposée de Creative Labs, Singapour.

Emballé avec votre Model Three BT, vous devriez trouver:

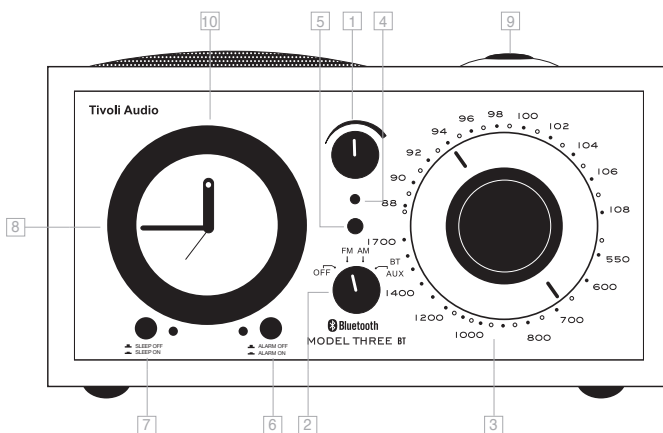
- Une (1) antenne FM filaire OU une (1) antenne FM télescopique intégrée (selon le pays)
- Une alimentation externe
- Une (1) pile « AA »

S'il vous plaît contactez votre revendeur ou Tivoli Audio, si n'importe lequel de ces éléments est manquant.

Préliminaires

1. Introduisez la pile « AA » fournie dans le compartiment arrière (en observant la polarité correcte).
2. Appuyez sur le bouton arrière « Time Set » jusqu'à ce que le réveil indique l'heure correcte.
3. Introduisez le connecteur du bloc d'alimentation externe dans la prise d'alimentation arrière et branchez l'autre extrémité dans une prise murale.
4. Réglez le Model Three BT sur FM ou AM, sélectionnez une station et réglez le volume au niveau désiré.

Caractéristiques (Panneau Avant)



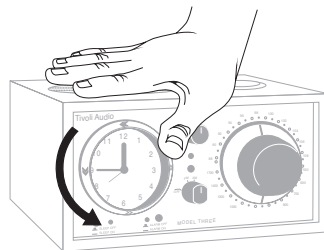
1. **VOLUME:** Tournez le bouton du volume à droite pour augmenter le volume, à gauche pour le diminuer. Ce même bouton contrôle également le volume du casque (non compris dans la fourniture) au cas où un casque serait branché.
2. **SÉLECTEUR OFF/FM/AM/AUX:** Tourner ce bouton d'un cran vers la droite pour écouter la FM (Modulation de fréquence), deux crans pour écouter la AM (Ondes moyennes), ou de 3 crans pour l'entrée auxiliaire (Aux). Pour activer la fonction *Bluetooth*, passez à la position auxiliaire et suivez les étapes décrites dans l'«Utilisation de *Bluetooth*».
3. **LA SYNTONISATION:** Tournez le bouton de la syntonie à droite ou à gauche pour changer les fréquences des bandes AM et FM.
4. **TÉMOIN DE L'ALLUMAGE:** Le témoin vert indique que le bouton de recherche se trouve sur une position quelconque autre que la position « éteint » exception faite du cas où le réveil serait inclus.
5. **INDICATEUR SYNTONIE:** Emet une lumière couleur ambre clair lorsque la syntonie est excellente. Certaines stations AM qui ont un signal faible, mais perceptible, ne provoquent pas l'allumage de l'indicateur de syntonie; il faut alors effectuer la syntonie «à l'oreille» pour optimiser la qualité du signal.
6. **RÉVEIL:** Pour régler le réveil, programmez l'heure et poussez le bouton pour l'activer. Un témoin vert s'allume confirmant l'opération. Le témoin reste allumé tant que le bouton du réveil n'est pas désactivé.
7. **DORMIR:** Tournez le bouton de la syntonie sur AM ou FM, réglez la station radio sur laquelle vous voulez vous endormir et mettez le volume au niveau désiré. Agissez sur le poussoir "sleep". Un témoin vert s'allume. La radio s'éteindra automatiquement au bout de vingt minutes environ. Le led restera allumé tant que le poussoir "sleep" n'aura pas été désactivé. Il s'éteindra lorsque la fonction a eu lieu.

8. **HEURE DE RÉVEIL:** Tournez la bague en aluminium autour de la montre à gauche et positionnez l'aiguille rouge du réveil sur l'heure de votre réveil. **Ne tournez pas le cadran de l'alarme dans le sens horaire car vous risqueriez d'endommager le mécanisme.**

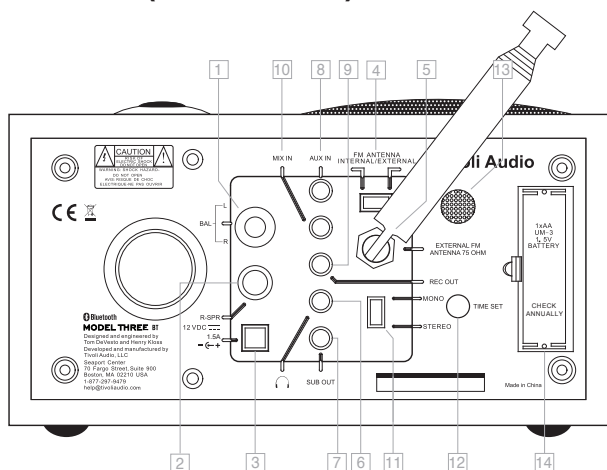
9. **SNOOZE (DESSUS DE LA RADIO):** Lorsque le réveil sonne, poussez pendant quelques secondes la touche placée sur le dessus de la radio. Le réveil s'arrêtera de sonner pendant 5 minutes passées lesquelles il se remettra à sonner.

10. **RÉGLAGE DE LA MONTRE:** La montre analogique est dotée d'un mécanisme au quartz qui garantit une précision exceptionnelle. La montre fonctionne avec une batterie "AA" de sorte que même une panne de courant ne pourra pas compromettre son fonctionnement. Un contrôle annuel des batteries assurera le maintien constant et rigoureux de la qualité du produit. L'éclairage de la montre ne peut pas être réglé ou supprimé. Il est normal que la lumière mette un certain temps à disparaître lorsque vous ôtez la batterie.

Remarque importante: En raison de la nature analogique du mécanisme de la molette de l'alarme, qui a été conçu pour en maintenir la simplicité, l'écart entre l'heure choisie et le moment d'activation de l'alarme peut atteindre cinq minutes. Par exemple, si l'alarme est réglée sur 10h00, il est possible qu'elle s'active à 9h55 ou 10h05. Nous vous conseillons de régler l'alarme en avance la première fois que vous l'utilisez pour tenir compte de ce fait. Par la suite, vous aurez une meilleure idée de l'heure à laquelle vous devez régler l'alarme pour vous réveiller à l'heure désirée.



Guide Des Fonctions (Partie Arrière)



- BALANCE:** Le “companion speaker” (vendu séparément) branché, mettez la manette Mono/Stéréo sur “Stéréo”. Poussez la manette de Balance vers le haut pour écouter l’unité de gauche (l’unité principale) ou vers le bas pour écouter l’unité de droite (le companion speaker). Positionnez la manette au centre pour balancer le son des deux haut-parleurs.
- R SPR:** branchez le fil mâle RCA du “companion speaker” (vendu séparément) à l’unité principale et mettez la manette “stéréo/mono” sur Stéréo. Brancher une unité autre que le companion speaker Tivoli Audio à l’unité principale de Model Three BT implique la déchéance de la garantie et le risque d’endommager la radio.
- 12VDC:** Branchez l’alimentateur AC, fourni avec la radio, à cette entrée. Faites bien attention à ne pas connecter Model Three BT à une prise commandée. Au cas où vous perdriez ou abîmeriez l’alimentateur fourni, vous devrez utiliser un alimentateur équivalent ou identique. Le connecteur est de 5,5 mm / 2,1 mm avec un centre positif.
- COMMUTATEUR ANTENNE FM:** Permet de sélectionner l’antenne interne ou l’antenne externe.
- CONNECTEUR FM EXTERNE:** Lorsque vous écoutez la bande FM, selon le pays habité, faites glisser le fil d’antenne sur ce connecteur F, ou ajustez la position et l’antenne télescopique. Dans les lieux où le signal FM est fort, la réception générale est améliorée en réduisant la longueur de l’antenne. Lorsque l’appareil n’est pas utilisé ou que l’on écoute des stations en AM, laissez l’antenne en position rentrée pour éviter de l’abîmer accidentellement. Cette antenne n’a aucun effet sur la réception en AM.
- SORTIE CASQUE:** Raccorder à ce connecteur une fiche à jack séparée pour le casque.
- SUB OUT:** Raccordez sur cette sortie par l’intermédiaire d’un câble équipé d’un mini jack stéréo 3,5 mm un caisson de basses Tivoli Audio.
- AUX IN:** Raccorder une source audio stéréo ou mono (par exemple: un lecteur de CD ou un téléviseur) à cette entrée stéréo. REMARQUE: La prise Aux In n’est pas disponible lorsqu’un périphérique *Bluetooth* est connecté. Avant de pouvoir utiliser la fonction câblée Aux In vous devez d’abord déconnecter tous les périphériques *Bluetooth*.
- REC OUT:** Le Model Three BT peut être utilisé en tant que syntoniseur séparé en accordant la sortie REC OUT à un amplificateur. Cette sortie permet également d’enregistrer en monophonie.

10. **MIX IN:** Pour entendre les messages d’alerte de votre ordinateur, raccordez le sur cette entrée par l’intermédiaire d’un câble équipé d’un mini jack stéréo 3,5 mm. Le son de votre ordinateur sera audible en même temps que la source que vous avez sélectionnée sur votre Model Three BT, le volume des messages est commandé par l’ordinateur.
11. **MONO/STÉRÉO:** Cette manette doit rester sur “Mono” si le “companion speaker” (vendu séparément) n’est pas connecté. Au cas où il le serait, la manette devrait être remise sur la position “Stéréo”. Si vous utilisez le “companion speaker” et si vous êtes positionnés sur “Stéréo”, vous pourrez expérimenter la différence de son en déplaçant la manette sur “Mono” au cours de l’écoute de la radio. Ceci pourrait rendre plus pur le son en “FM” éliminant tout bruissement de fond. Le casque et une source extérieure d’enregistrement sont “Stéréo” et ne sont pas assujettis au déplacement de la manette, à moins que la touche d’allumage ne soit positionnée sur “AM” (bande toujours sur Mono) ou sur FM et la manette sur “Mono”.
12. **RÉGLAGE DE L’HEURE:** Poussez et relâchez rapidement le bouton “Time set” pour avancer manuellement d’une minute à la fois. Poussez et tenez poussé le bouton pour déplacer l’aiguille de la montre manuellement et rapidement. Relâcher le bouton lorsque vous avez obtenu l’heure désirée. Assurez-vous que le bouton du réveil est sur “Off” lorsque vous réglez l’heure.
13. **GRILLE DU RÉVEIL:** Le son du réveil est émis à travers cette grille. Ne la bloquez jamais de quelque manière que ce soit.
14. **BATTERY BACK UP:** Ôtez les vieilles batteries et remplacez les avec des neuves du genre 1.5V “AA” alcalines en respectant le positionnement correct des polarités + / - . La montre fonctionne également sans batterie. En cas de coupure de courant, la batterie, si elle est chargée et correctement positionnée maintiendra le réglage de la montre et le son du réveil actifs à la condition que le bouton du réveil soit positionné sur “On”. L’éclairage de la montre et la radio ne fonctionneront pas au cours de la coupure de courant. Ceci pour conserver la vie de la batterie. Contrôlez une fois par an l’état de charge de la batterie. Remplacez les vieilles par des batteries neuves 1.5V “AA” alcalines, des meilleures marques. Si la montre cessait de fonctionner, remplacez la batterie. Débarrassez-vous des vieilles batteries conformément à la législation de votre pays.

Utilisation De *Bluetooth*

Avant de chercher à vous connecter, vérifiez la compatibilité de votre appareil avec la technique *Bluetooth* 2.1+EDR A2DP. Assurez-vous que votre appareil n’est pas déjà couplé à un autre accessoire *Bluetooth*. Selon les appareils, le mode d’appairage peut varier.

1. Allumez votre Model Three BT sur la position Aux. Ceci activera le *Bluetooth*. Réglez le volume à ¼ au début. Veillez également à augmenter le volume de votre périphérique source (le périphérique à partir duquel vous transmettez).
2. Activez le *Bluetooth* sur votre appareil.
3. Sélectionnez « Tivoli *Bluetooth* (non connecté) » lorsqu’il apparaît sur l’écran de votre appareil afin de démarrer la recherche. Si votre appareil vous demande une clé de connexion, tapez « 0000 ». L’indication devant Tivoli *Bluetooth* passera de « Non connecté » à « Connecté ».
4. La connexion sera confirmée par l’émission d’un bip sonore au niveau du Model Three BT. Vous pouvez maintenant envoyer « sans fil » vos fichiers musicaux. Ajustez le niveau sonore de votre appareil. Vous ne devriez pas avoir à effectuer de nouveau cette procédure pour retrouver la connexion. **Selon le modèle de votre périphérique, il se peut qu’il soit nécessaire de faire plusieurs tentatives d’Appairage et/ou de Connexion au Model Three BT ; veillez cependant à laisser suffisamment de temps à votre périphérique pour l’Appairage ou la Connexion avant de répéter l’opération.**

Couplage D'un iPhone, iPad Ou iPod Touch En *Bluetooth*

1. Allumez votre Model Three BT sur la position Aux. Ceci activera le *Bluetooth*. Réglez le volume à $\frac{1}{4}$ au début. Veillez également à augmenter le volume de votre périphérique source (le périphérique à partir duquel vous transmettez).
2. Sélectionnez « *Réglages* » (selon la version du logiciel de votre appareil).
3. Sélectionnez « *Général* ».
4. Sélectionnez « *Bluetooth* ».
5. Commutez le réglage sur « *Activé* » pour démarrer la recherche.
6. Choisissez « *Tivoli Bluetooth (non connecté)* » sur l'écran. Si l'entrée d'un PIN est requis, entrez « 0000 ». « *Connecté* » s'affichera en face de « *Tivoli Bluetooth* ».
7. La connexion sera confirmée par l'émission d'un bip sonore au niveau du Model Three BT. Vous pouvez maintenant envoyer « sans fil » vos fichiers musicaux. Ajustez le niveau sonore de votre appareil. Vous ne devriez pas avoir à effectuer de nouveau cette procédure pour retrouver la connexion iPhone, iPod ou iPad.

Le niveau sonore des fichiers musicaux peuvent être très différents. En fonction de vos préférences, modifiez les réglages de votre iPhone, iPod ou iPad : Réglez Egaliseur de volume « off », Egaliseur « désactivé » et Volume maximum « non ».

Si vous rencontrez des difficultés de connexion, dans le menu *Bluetooth*, utilisez la flèche à droite de « *Tivoli Bluetooth* » pour accéder à l'écran suivant et « Oublier cet appareil », puis recommencez la procédure de couplage. **Selon le modèle de votre périphérique, il se peut qu'il soit nécessaire de faire plusieurs tentatives d'Appairage et/ou de Connexion au Model Three BT; veuillez cependant à laisser suffisamment de temps à votre périphérique pour l'Appairage ou la Connexion avant de répéter l'opération.**

Pendant l'écoute de musique sur votre iPhone, iPod ou iPad, vous pouvez utiliser la flèche à droite de la touche « next » de votre écran pour alterner l'écoute entre votre appareil et le *Bluetooth*.

REMARQUE:

- Le Model Three BT garde en mémoire le couplage de 8 appareils. Si vous tentez de coupler un appareil complémentaire, il viendra remplacer l'appareil le moins utilisé.
- En cas de problème de connexion, par exemple des drop-outs ou arrêts, rapprochez votre appareil source du Model Three BT et assurez vous qu'aucun autre appareil sans fil n'est présent à proximité et pourrait générer des interférences.
- Lorsque vous basculez de l'écoute de la radio au signal *Bluetooth*, il vous faudra peut-être ajuster le niveau.

Réception

Les antennes interne FM et AM offriront une bonne réception. Pour AM, faites pivoter la radio pour une meilleure réception. Une option antenne AM extérieure sans fil ou filaire peut offrir une meilleure réception AM.

Les bâtiments réalisés avec du béton, de l'acier, ou du bardage en aluminium peuvent gêner la réception. Appareils ménagers, couvertures électriques, les ordinateurs, les lecteurs de CD, et autres appareils électroniques peuvent aussi nuire à la réception ou injecter du bruit. Si vous rencontrez ce problème, déplacez le Model Three BT plus loin de l'appareil en cause ou branchez-le dans

une prise électrique qui n'est pas partagé par un autre dispositif. Les surfaces métalliques peuvent également gêner la réception AM.

Placement

Placez l'appareil sur une surface plane et stable. Le placement dans une bibliothèque, une armoire ou à proximité des murs ou des coins peuvent gonfler les basses.

Nettoyage

Ne jamais utiliser des nettoyeurs ou des solvants agressifs sur votre radio. Éviter la pulvérisation sur les cires. Débranchez le Model Three BT avant de le nettoyer. Le face peut être nettoyé avec un chiffon doux légèrement humide. Peindre ou teindre le coffret en bois annulera votre garantie.

Le boîtier de votre Model Three BT étant en bois naturel, la teinte et la veinure peuvent varier d'un appareil à l'autre et ne pas correspondre à d'autres produits Tivoli Audio que vous pourriez déjà posséder. Certains finis en bois naturel sont susceptibles de changer d'aspect suite à l'exposition à la lumière ou au soleil.

Il est possible également que les placages teintés de couleur comme le bleu, le rouge, etc, subissent une décoloration du fait de l'exposition au soleil. Cela n'est pas couvert par la garantie.

Garantie limitée en dehors de l'Amérique du Nord

Tivoli Audio fabrique des produits de très grande qualité et nous vous assurons que nos produits fonctionneront correctement. Si nécessaire, nous offrons à l'acquéreur initial une garantie limitée sur ce produit contre les défauts de fabrication au niveau des matériaux et de la main d'oeuvre. Cette garantie est non transférable.

Les produits achetés dans l'Union européenne et en Norvège sont sous couvert d'une garantie minimale de deux ans. Pour les pays où la garantie minimale est déterminée par la loi, les termes de la garantie sont applicables selon la période légale requise. Pour tout autre emplacement géographique, la garantie dure un an.

Cette garantie limitée couvre le fonctionnement du produit dans le cadre d'une utilisation normale telle que celle prévue par le manuel de l'utilisateur. Elle ne couvre pas les dysfonctionnements ou les dommages provenant d'une mauvaise utilisation ou installation, de l'utilisation du chargeur pour recharger les piles alcalines, d'équipements auxiliaires défectueux, d'une réparation non autorisée, de dégâts ou d'une perte lors du transport du produit, d'une détérioration, d'une utilisation avec une tension/un courant non adapté, d'une surtension, de la foudre ou autre cas de force majeure, d'une humidité excessive, d'un degré d'usure normal, d'une utilisation commerciale ou d'un achat à des revendeurs non autorisés. Il peut être nécessaire de fournir une preuve d'achat indiquant que le produit a bien été acquis chez un revendeur certifié pour bénéficier de la garantie.

Veillez contacter le point de vente ou le distributeur local pour tout service ou toute réparation couverte par la garantie.

Veillez éviter d'ouvrir ce produit ou d'en détacher les composants sous peine d'annuler la garantie limitée. Les composants internes de produit ne sont pas réparables par l'utilisateur. Tivoli Audio ne prendra pas à sa charge les frais induits en cas de correction d'un problème de réception, pour

l'élimination du bruit/bruit de fond, de retard, de gêne, de perte fonctionnelle du produit, ou de dommage causé par une mauvaise utilisation du produit.

Si le produit devait être renvoyé au cours de la période de garantie et que cette dernière couvre la maintenance nécessaire, nous réparerons ou remplacerons toute pièce défectueuse dans des délais raisonnables et sans frais.

CETTE GARANTIE LIMITÉE VOUS CONFÈRE DES DROITS LÉGAUX SPÉCIFIQUES SUJETS À DES CONDITIONS DÉFINIES. D'AUTRES DROITS LÉGAUX S'APPLIQUANT AU PRODUIT QUE VOUS AVEZ ACHETÉ PEUVENT ÉGALEMENT VOUS ÊTRE CONFÉRÉS. CES DROITS LÉGAUX VARIENT D'UN PAYS À L'AUTRE. CERTAINS PAYS INTERDISENT L'EXCLUSION, LA RESTRICTION OU LA MODIFICATION DE CERTAINS DROITS TACITES OU DE LEURS EFFETS. DANS CE CAS, CETTE GARANTIE LIMITÉE NE S'APPLIQUERA QUE DANS LA MESURE OÙ LA LOI APPLICABLE LE PERMET.

Les lois de votre pays peuvent vous permettre d'exercer une réclamation légale contre le vendeur ou le fabricant de ce produit. Cette garantie limitée n'affecte en rien ces droits.

Les dispositions légales de cette garantie limitée prévalent sur les autres garanties ou conditions, exception faite de celles prévues par la loi. Cette garantie limitée n'affecte aucun droit légal qui vous est conféré par la loi et ne constitue aucun obstacle aux actions légales auxquelles vous pouvez recourir.

Dans les pays où la limite de responsabilité n'est pas affectée par la loi, la responsabilité maximale de Tivoli Audio ne dépasse pas le prix de vente de ce produit. Dans les pays où la limite de responsabilité est affectée par la loi, Tivoli Audio ne peut être tenu responsable que dans les cas de dommages directs à la personne et/ou à la propriété personnelle réelle provenant d'une négligence de Tivoli Audio.

Si la loi ne l'interdit pas, Tivoli Audio ne saurait être reconnu responsable en cas de dommages spéciaux, accessoires, accidentels ou indirects. Certaines zones géographiques n'autorisent pas la limite sur l'exclusion ou la limitation des dommages spéciaux, accessoires, accidentels ou indirects, ou la limite de responsabilité relative aux quantités définies. Le cas échéant, les limites ou exclusions précédemment mentionnées ne s'appliquent pas à votre cas.

Cette garantie limitée est annulée si l'étiquette où figure de numéro de série a été retirée ou abimée.

Si vous avez acquis auprès de votre point de vente un contrat de maintenance prolongé et qu'une maintenance est nécessaire une fois la période de garantie terminée, veuillez contacter le fournisseur de votre contrat de maintenance prolongé pour pouvoir en bénéficier.

À des fins pratiques, vous pouvez enregistrer votre produit en ligne pour bénéficier de la garantie via notre site Internet : www.tivoliaudio.com. La loi ne vous oblige aucunement à fournir vos informations personnelles. Toutefois, ces informations nous permettent de constituer un dossier des produits Tivoli Audio que vous avez achetés et de mieux comprendre nos clients. Les informations obtenues seront utilisées à des fins commerciales par Tivoli Audio et nous pourrions, si vous le permettez, vous contacter au sujet des produits que vous avez achetés ou d'autres produits susceptibles de vous intéresser chez Tivoli Audio ou d'autres marques. Les informations que vous fournissez peuvent être envoyées et traitées dans d'autres pays.

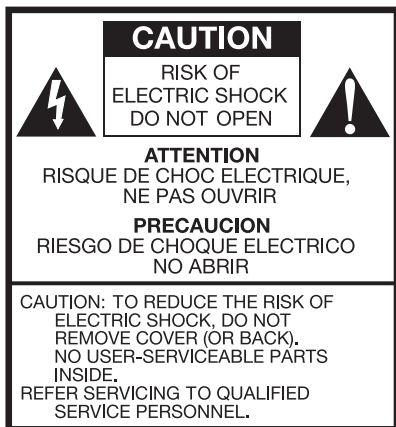
Spécifications

Modèle:	Tivoli Audio Model Three BT
Type:	Radio-réveil AM/FM analogue à quartz avec technologie sans fil <i>Bluetooth</i>
Haut-parleur:	Un 76,2mm (3") d'attaque pleine gamme, blindage magnétique
Alimentation électrique:	M3-PS, 12 Vcc, 1.5 A, 120 V – 60 Hz (UL) ; 230 V – 50 Hz (CE)
Pile du réveil:	AA/UM-3 1,5 V alcaline
Dimensions:	21,3 cm W x 11,4 cm H x 13,3 cm D (8,375" W x 4,5" H x 5,25" D)
Poids:	1,70 kg (3,75 lb)

Tivoli Audio se réserve le droit de modifier ses produits sans préavis.

Tivoli Audio, les logos Tivoli Audio et Model Three sont des marques déposées, propriétés de Tivoli Audio LLC. Produits et design protégés par des brevets. La marque *Bluetooth* et les logos sont des marques déposées appartenant à Bluetooth SIG, Inc et toute utilisation de ces marques par Tivoli Audio est sous licence. iPod, iPod touch, iPhone, et iPad sont des marques d'Apple Inc. déposées aux États-Unis et dans d'autres pays.





Questo simbolo serve per segnalare all'utente la presenza di "tensioni pericolose" non isolate all'interno del guscio del prodotto che potrebbero essere sufficienti per rappresentare un pericolo di shock elettrico per le persone.



Questo simbolo serve per segnalare all'utente la presenza di importanti istruzioni di manutenzione (assistenza) e utilizzo nella documentazione che accompagna il dispositivo.

Importanti Istruzioni Di Sicurezza

1. Leggete queste istruzioni.
2. Conservare queste istruzioni.
3. Rispettare tutte le avvertenze.
4. Seguite tutte le istruzioni.
5. **ATTENZIONE** - Per ridurre il rischio di shock elettrici, non esponete questo prodotto alla pioggia o all'umidità.
6. Pulire solo con un panno asciutto.
7. Non bloccare le aperture di ventilazione. Installare secondo le istruzioni del produttore.
8. Non installare vicino a fonti di calore come radiatori, termosifoni, stufe o altri apparecchi (inclusi amplificatori) che producono calore.
9. Non rimuovere la protezione di sicurezza di una spina polarizzata o con messa a terra. Una spina polarizzata ha due lame, una più larga dell'altra. Una spina con messa a terra ha due lame e un terzo polo di terra. Questi dispositivi sono forniti per la vostra sicurezza. Se la spina fornita non entra nella presa, consultare un elettricista per la sostituzione della presa obsoleta.
10. Proteggere il cavo elettrico da calpestamento e non piegarlo, in particolare in prossimità della spina, alloggiamenti, e nel punto di uscita dall'apparecchio.
11. Utilizzare solo annessi/accessori specificati dal produttore.
12. Utilizzate solo il carrello, l'appoggio, il treppiede, o il tavolo specificato dal produttore, o venduto con il dispositivo. Quando si usa un carrello, fate prudenza nel movimentare la combinazione di dispositivo e carrello per evitare infortuni dovuti al rovesciamento.
13. Scollegare questa unità in caso di temporali o quando rimane inutilizzata per lunghi periodi.
14. Utilizzate il prodotto solo con il tipo di alimentazione indicato sul pannello posteriore. Per prodotti che usano un alimentatore esterno, in caso di perdita o danneggiamento utilizzate un alimentatore sostitutivo esattamente uguale dell'originale. Per prodotti che utilizzano batterie, fate riferimento alle istruzioni nel manuale utente.



15. Scollegate questo prodotto dalla presa a muro e portatelo in riparazione a personale qualificato se si verifica una delle seguenti condizioni:
 - a. Quando il cavo di alimentazione o la presa sono danneggiati.
 - b. Se del liquido è colato o degli oggetti sono caduti sul prodotto.
 - c. Se il prodotto è stato esposto a acqua o pioggia.
 - d. Se il prodotto non funziona normalmente seguendo le istruzioni di utilizzo.
 - e. Se il prodotto è stato fatto cadere o danneggiato in altro modo.
 - f. Quando il prodotto mostra un importante degrado delle prestazioni.
16. Quando parti di ricambio sono necessarie, assicurarsi che il tecnico abbia utilizzato parti di ricambio specificate dal produttore o aventi le stesse caratteristiche di quelli originali. Sostituzioni non autorizzate possono causare incendi, scosse elettriche o altri pericoli.
17. Al termine di qualsiasi riparazione, chiedere al tecnico di eseguire controlli di sicurezza per confermare che il prodotto è in perfette condizioni operative.
18. Tenete questo prodotto a una distanza di sicurezza da fiamme vive, come una candela accesa.
19. Non esporre il dispositivo a spruzzi o liquidi colanti. Oggetti contenenti liquidi come vasi o bicchieri non devono essere collocati sopra il prodotto.
20. La temperatura di utilizzo raccomandata va da 5°C a 40°C (41°F a 104°F).
21. L'ingresso 12 VDC è adatto per il funzionamento di questo prodotto in una barca o camper usando un 12 VDC adattatore opzionale con fusibile a 2 A.
22. ATTENZIONE - L'alimentazione non è interrotta in posizione off, solamente i circuiti non sono alimentati.
23. Canada conforme RSS210, ICES-003.
24. L'adattatore funge da dispositivo di scollegamento e deve essere posizionato in modo da essere facilmente accessibile.



ATTENZIONE: IL APPOSTO MODEL THREE BT ANTENNA TELESCOPICA ESTERNA NON DEVE ESSERE STACCATO.



Questo prodotto può essere riciclato. I prodotti che mostrano questo simbolo NON devono essere buttati via con i normali rifiuti domestici. Alla fine della vita utile del prodotto, portatelo in un punto di conferimento designato al riciclo di dispositivi elettrici ed elettronici. Chiedete al servizio pubblico più vicino a voi informazioni sui punti di riconsegna e di raccolta.

La Direttiva Europea sui rifiuti di apparecchiature elettriche ed elettroniche (RAEE) è stata realizzata per ridurre drasticamente il volume di rifiuti interrati riducendo di conseguenza l'impatto ambientale sul pianeta e sulla salute umana. Agite responsabilmente riciclando i prodotti usati. Se questo prodotto è ancora utilizzabile, prendete in considerazione la possibilità di consegnarlo ad altri o venderlo.

Istruzioni Model Three BT

Complimenti per aver acquistato la Model Three BT. Riteniamo che la Model Three BT sia una delle migliori radiosveglie AM/FM disponibili. Con l'aggiunta della tecnologia wireless *Bluetooth*, è possibile trasmettere i file musicali alla Model Three BT in modalità wireless.

Per trarre il massimo vantaggio da ciò che la nuova Model Three BT è in grado di offrire, si prega di dedicare qualche istante alla lettura completa del manuale utente. In caso di domande, non esiti a contattare direttamente il distributore o Tivoli Audio.

Si prega di conservare la scatola e l'imballo originale. Dovesse essere mai necessario spedire la radio, il danno di trasporto non è coperto dalla garanzia di fabbrica.

A nome di tutti noi, grazie per aver scelto Tivoli Audio. Vi auguriamo di godere della vostra nuova Model Three BT!

A Proposito Di Tivoli Audio

Tivoli Audio è stata fondata da Tom DeVesto con l'intenzione di dare al consumatore prodotti di facile utilizzo, dal design elegante e con elevata qualità audio. Come CEO e capo del dipartimento di ricerca e sviluppo della sua precedente azienda, Cambridge Soundworks, Tom si è occupato dello sviluppo di molti dei prodotti di home entertainment e multimediali più venduti sul mercato. Ha inoltre occupato posizioni chiave per lo sviluppo prodotto in Advent e Kloss Video.

*Cambridge SoundWorks è un marchio registrato di Creative Labs, Singapore.

Nella confezione con la Model Three BT si dovrebbe trovare:

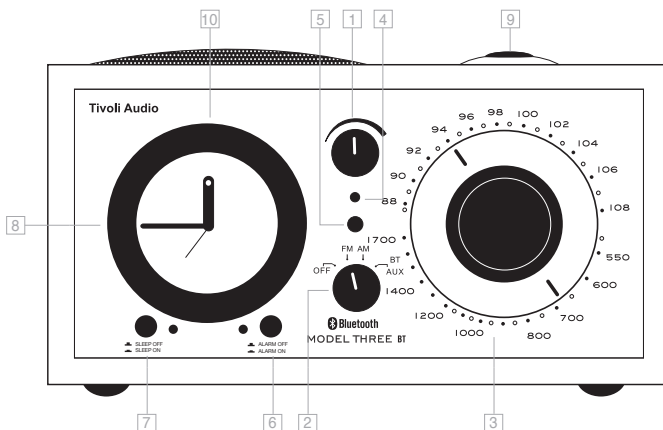
- Una (1) antenna a filo FM OPPURE una (1) antenna telescopica FM collegata (in base al paese di utilizzo)
- Un (1) alimentatore esterno
- Una (1) pila "AA"

Si prega di contattare il proprio rivenditore o Tivoli Audio se uno qualsiasi di questi elementi è mancante.

Per Iniziare

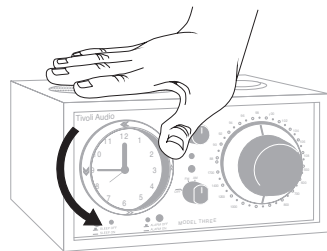
1. Inserire la pila "AA" fornita all'interno del vano batteria nella parte posteriore (rispettando la corretta polarità).
2. Premere il pulsante "Time Set" nella parte posteriore finché sull'orologio risulta impostato l'orario corretto.
3. Inserire il connettore dell'alimentatore esterno nell'ingresso di alimentazione posteriore e collegare l'altra estremità a una presa a muro.
4. Accendere la Model Three BT su FM o AM, sintonizzarsi su un'emittente e regolare il volume al livello desiderato.

Guida Alle Caratteristiche (Pannello Anteriore)



1. **VOLUME:** Ruotare la manopola del volume verso destra per aumentare il volume, verso sinistra per diminuirlo. La stessa manopola controlla anche il volume della cuffia (non inclusa nella confezione) qualora fosse connessa.
2. **CONTROLLO OFF/FM/AM/AUX:** Ruotate la manopola di uno scatto a destra per ascoltare la banda FM, due scatti a destra per la banda AM, oppure tre scatti a destra per selezionare la sorgente ausiliaria (aux). Per attivare *Bluetooth*, passare alla posizione di ingresso ausiliario e seguire la procedura descritta nella sezione "Operazioni *Bluetooth*".
3. **LA SINTONIZZAZIONE:** Ruotare la manopola della sintonia verso destra o verso sinistra per cambiare le frequenze delle bande AM e FM.
4. **SPIA DI ACCENSIONE:** La spia verde indica che la manopola di ricerca è in qualunque altra posizione tranne che spenta, eccetto il caso in cui sia inserita la sveglia.
5. **INDICATORE SINTONIA:** Emette una luce color ambra chiaro quando la sintonia è ottimale. Alcune stazioni AM dal segnale debole ma comunque percepibile non provocano l'accensione dell'indicatore di sintonia; pertanto occorre effettuare la sintonia "a orecchio" per ottimizzare la qualità del segnale.
6. **SVEGLIA:** Per regolare la sveglia, una volta programmato l'orario, si preme il pulsante per attivarla. Una spia verde in corrispondenza si illuminerà per confermare l'operazione. La spia rimane illuminata sino al momento in cui il pulsante della sveglia non viene disattivato.
7. **SLEEP:** Gira la manopola di sintonia su AM o FM, impostare la stazione radio con cui ci si vuole addormentare aggiustando il volume al livello desiderato. Premere il pulsante "sleep" e una luce verde si accenderà in corrispondenza. La radio si spegnerà automaticamente dopo circa 20 minuti. Il led luminoso rimarrà acceso sino a che il pulsante "sleep" non verrà spento o quando la funzione si è esaurita.

8. **ORARIO DI SVEGLIA:** Ruotare la ghiera in alluminio intorno all'orologio in senso antiorario sino a quando la lancetta rossa della sveglia non sia posizionata all'orario designato per il vostro risveglio. **Non ruotare la lunetta della sveglia in senso orario poichè il meccanismo potrebbe danneggiarsi.**

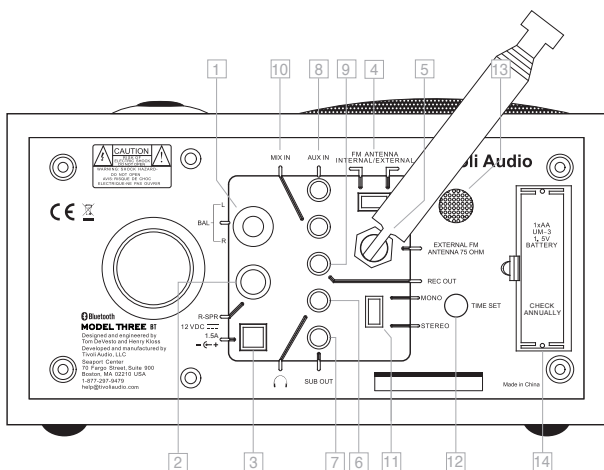


9. **SNOOZE (PARTE SUPERIORE RADIO):** Quando la sveglia suona, premere per alcuni secondi il pulsante posto sulla parte superiore della radio e la sveglia smetterà di suonare per 5 minuti dopo i quali l'allarme riprenderà a suonare.

10. **IMPOSTAZIONE DELL'OROLOGIO:** L'orologio analogico è dotato di un meccanismo al quarzo che garantisce un'accuratezza eccezionale. L'orologio funziona per mezzo di una batteria "AA" in modo che anche un calo di corrente non possa comprometterne il funzionamento. Un controllo annuale delle batterie assicurerà un continuo e accurato mantenimento del prodotto. L'illuminazione dell'orologio non può essere spenta o regolata. E' normale che la luce impieghi qualche secondo a spegnersi anche una volta tolta la batteria.

Nota importante: a causa della natura del meccanismo analogico della rotellina della sveglia, progettata per la semplicità, potrebbe verificarsi uno scostamento fino a cinque minuti rispetto all'orario di attivazione della sveglia. Ad esempio, se la sveglia è programmata alle 10:00, è possibile che possa attivarsi alle 9:55 o alle 10:05. Perciò, al primo impiego, si consiglia di impostare la sveglia in anticipo. Utilizzando la Model Three BT, sarà poi possibile farsi un'idea migliore delle modalità di regolazione dell'allarme necessarie per impostare la sveglia all'orario desiderato.

Guida Alle Caratteristiche (Pannello Posteriore)



1. **BALANCE:** Con il "companion speaker" (venduto separatamente) connesso, impostare la leva Mono/Stereo su "Stereo". Girare la manopola del balance verso l'alto per ascoltare l'unità di sinistra (l'unità principale), o verso il basso per sentire l'unità di destra (il companion speaker). Posizionando la leva al centro risulta bilanciato il suono dei due altoparlanti.

2. **R SPR:** Connettere il cavo maschio RCA del “companion speaker” (venduto separatamente) all’unità principale e impostare la leva “stereo/mono” su “Stereo”. Connettere un’unità differente dal companion speaker Tivoli Audio all’unità principale della Model Three BT farà decadere la garanzia e potrebbe danneggiare la radio.
3. **12VDC:** Collegate l’alimentatore AC in dotazione a questo ingresso. Fate attenzione a non collegare la Model Three BT ad una presa comandata. Nel caso smarriste o danneggiaste l’alimentatore in dotazione, dovreste utilizzarne uno equivalente o identico. Il connettore è da 5,5 mm/2,1 mm con il centro positivo.
4. **SELETTORE ANTENNA FM:** Consente di selezionare l’antenna interna oppure quella esterna.
5. **PRESA EXTERNAL FM:** Quando si ascolta la banda FM, in dipendenza dalla vostra posizione, inserite l’antenna con cavo nel connettore a “F”, o sistemate la posizione dell’antenna telescopica. Nelle località in cui il segnale FM è forte, la ricezione in genere migliora riducendo la lunghezza dell’antenna. Quando l’apparecchio non viene utilizzato o quando si ascoltano stazioni in AM, tenere l’antenna in posizione retratta per evitare che venga danneggiata accidentalmente. Questa antenna non ha alcun effetto sulla ricezione in AM.
6. **PRESA CUFFIA:** Collegare a questo connettore uno spinotto a jack separato per la cuffia per ascoltare il Model Three BT in cuffia. L’inserimento della cuffia disattiva l’altoparlante principale.
7. **SUB OUT:** Collegare il cavo audio dal Subwoofer opzionale Tivoli Audio Model (o altro subwoofer compatibile) a questa uscita. Questa uscita accetta un connettore stereo mini da 3,5 mm.
8. **AUX IN:** Collegare una sorgente audio stereo o mono (per esempio: un riproduttore di CD o un televisore) a questo ingresso stereo. NOTA: La presa Aux In non è disponibile quando è collegato un dispositivo *Bluetooth*. Per utilizzare la funzione Aux In collegata, è necessario innanzitutto scollegare qualsiasi dispositivo *Bluetooth*.
9. **REC OUT:** La Model Three BT può essere utilizzato come sintonizzatore separato collegando l’uscita REC OUT a un amplificatore. È anche possibile registrare in monofonia utilizzando questa uscita.
10. **MIX IN:** Collegare l’uscita audio di un altro dispositivo, come ad esempio un computer, a questo ingresso per ascoltare l’audio mixato con il dispositivo AM o FM. Con Model Three BT in modalità Auxiliary questo ingresso funziona come un secondo ingresso ausiliario. Questo ingresso stereo accetta un connettore stereo mini da 3,5 mm. Il volume viene controllato dal dispositivo di origine.
11. **MONO/STEREO:** Questa leva deve rimanere impostata su “Mono” se il “companion speaker” (venduto separatamente) non risulta connesso; qualora lo fosse la leva dovrebbe essere reimpostata sulla posizione “Stereo”. Se state utilizzando il “companion speaker” e siete posizionati su “Stereo”, potreste sperimentare la differenza di suono spostando la leva su “Mono” durante l’ascolto della radio stessa. Questo potrebbe ripulire il suono in “FM” da possibile fruscio. Le cuffie e una fonte esterna di registrazione sono “Stereo” e non sono soggette allo spostamento della leva, a meno che la manopola di accensione non sia posizionata su “AM” (la quale banda è sempre Mono) o su FM e la leva sia su “Mono”.
12. **IMPOSTAZIONE DELL’ORARIO:** Premere e rilasciare il pulsante “Time set” velocemente per avanzare manualmente di un minuto per volta. Premere e mantenere premuto per spostare la lancetta dell’orologio manualmente e velocemente. Rilasciare il pulsante quando avete impostato l’ora desiderata. Assicuratevi che il pulsante della sveglia sia posizionato su “Off” quando impostate l’orario.
13. **GRIGLIA DELLA SVEGLIA:** Il suono della sveglia è emesso attraverso questa griglia. Non bloccatela in nessun modo.

- 14. BATTERY BACK UP:** Rimuovere la vecchia batteria e inserirne una nuova del genere 1.5V “AA” alcaline osservando il corretto posizionamento delle polarità +/ -. L’orologio funziona anche senza batteria. In caso di black out, la batteria, se carica e posizionata correttamente, manterrà le impostazioni dell’orologio e il suono della sveglia attivi, sempre a patto che il pulsante della sveglia sia posizionato su “On”. La luce dell’orologio e la radio non funzioneranno durante un black out; questo per conservare la vita della batteria. Controllate la carica della batteria annualmente e sostituirla solo con le migliori marche di batterie 1.5V “AA” alcaline. Se l’orologio dovesse cessare di funzionare sostituite la batteria. Buttate le batterie scariche seguendo la legislazione del vostro Paese. Per maggiori informazione leggi anche il paragrafo “Come regolare l’orologio”.

Operazioni *Bluetooth*

Prima di eseguire la procedura accoppiamento, verificare che il tuo dispositivo supporti *Bluetooth* 2.1+EDR A2DP e che il dispositivo non sia connesso ad alcun altro prodotto *Bluetooth*. Le periferiche si possono accoppiare in modi diversi. Qui di seguito una guida generale.

1. Accendere la Model Three BT nella posizione di ingresso ausiliario. Questo attiva il *Bluetooth*. Alzare il volume di circa $\frac{1}{4}$ per iniziare. Aumentare il volume sul dispositivo sorgente (il dispositivo da cui si sta effettuando lo streaming).
2. Attivare la tecnologia wireless *Bluetooth* sul dispositivo abilitato.
3. Iniziare la ricerca e selezionare “Tivoli *Bluetooth* (Non Accoppiato)” quando questo messaggio appare sullo schermo del tuo dispositivo. Alcuni dispositivi possono richiedere un PIN. In tal caso, inserire “0000”. “Tivoli *Bluetooth*” cambierà da “Non Accoppiato” a “Connesso”.
4. Sentirete un tono dalla Model Three BT a conferma del collegamento e si potrà iniziare a riprodurre i vostri file musicali in modalità senza fili. Regolare il livello del volume del dispositivo. Non dovrebbe essere necessario accoppiare lo stesso dispositivo un’altra volta. **In base al dispositivo utilizzato, potrebbe essere necessario effettuare più tentativi di accoppiamento e/o connessione del Model Three BT. Concedere al dispositivo il tempo necessario per l’accoppiamento o la connessione prima di ripetere il procedimento.**

Abbinamento Di Un iPhone/iPod Touch/iPad, Abilitato Alla Tecnologia Wireless *Bluetooth*

1. Accendere la Model Three BT nella posizione di ingresso ausiliario. Questa operazione attiva il *Bluetooth*. Alzare il volume di circa $\frac{1}{4}$ per iniziare. Aumentare il volume sul dispositivo sorgente (il dispositivo da cui si sta effettuando lo streaming).
2. Selezionare “Impostazioni” (secondo la versione software installata sul proprio dispositivo).
3. Selezionare “General”.
4. Selezionare “*Bluetooth*”.
5. Attivare *Bluetooth* per avviare la ricerca.
6. Selezionare “Tivoli *Bluetooth* (Non Abbinato)” quando appare sul display. Se viene richiesto di immettere un PIN, immettere “0000”. “Tivoli *Bluetooth*” cambierà da “Not Connesso” a “Connesso”.
7. Sentirete un tono dalla Model Three BT a conferma del collegamento e si potrà iniziare a riprodurre i vostri file musicali in modalità senza fili. Regolare il livello del volume del dispositivo. Non dovrebbe essere necessario accoppiare l’iPhone / iPod / iPad un’altra volta.

Il livello di uscita del volume dei file musicali varia. Se si preferisce un livello di uscita più elevato, controllare le impostazioni del vostro iPhone / iPod touch / iPad: Impostare EQ Off, SoundCheck Off, e il limite di volume Off.

Se dovesse incontrare un problema, premere la piccola freccia a destra di “Tivoli *Bluetooth*” sul suo iPhone / iPod touch / iPad display e selezionare “Ignora questo dispositivo”, quindi ripetere la procedura di abbinamento. **In base al dispositivo utilizzato, potrebbe essere necessario effettuare più tentativi di Accoppiamento e/o Connessione del Model Three BT. Concedere al dispositivo il tempo necessario per l'Accoppiamento o la Connessione prima di ripetere il procedimento.**

Durante lo streaming musicale, è possibile premere la freccia blu a destra del pulsante >>/ prossima traccia / su iPhone / iPod touch / iPad display per alternare tra l'iPhone / iPod / iPad e *Bluetooth*.

NOTA:

- La Model Three BT ricorderà le informazioni di associazione per un massimo di 8 dispositivi. Dispositivi aggiuntivi possono essere accoppiati, ma il dispositivo utilizzato meno di recente sarà sostituito dall'ultimo dispositivo accoppiato.
- Se l'audio si sente a tratti o si arresta durante la riproduzione, spostare il dispositivo in una posizione più vicina alla Model Three BT, o controllare per essere sicuri che un altro dispositivo senza fili non interferisca con il segnale.
- Quando si passa da *Bluetooth* al AM o FM, potrebbe essere necessario regolare di nuovo il volume della radio.

Ricezione

Le antenne interne FM e AM forniranno una buona ricezione. Per la ricezione AM, ruotare la radio per la migliore ricezione. Un'antenna (opzionale) AM esterna senza fili o cablata può fornire una migliore ricezione AM.

Gli edifici costruiti in cemento armato, acciaio, rivestimenti in alluminio o ostacoleranno la ricezione. Elettrodomestici, coperte elettriche, computer, lettori CD e altri dispositivi elettronici possono anche influenzare negativamente la ricezione o indurre rumore. Se questo si verifica, spostare la radio Model Three BT più lontano dal dispositivo causa di interferenza, oppure usare una presa elettrica, non condivisa con un altro dispositivo. Le superfici metalliche possono anche ostacolare la ricezione AM.

Posizionamento

Collocare l'unità su una superficie piana e stabile. L'inserimento in una libreria, armadio, o in prossimità di pareti o angoli possono aumentare i toni bassi.

Pulizia

Non utilizzare mai detersivi aggressivi o solventi sulla radio. Evitare di spruzzare cere. Scollegare la radio Model Three BT prima della pulizia. Il frontale può essere pulito con un panno leggermente umido, panno morbido. Colorare macchiare il mobile in legno invalida la garanzia.

NOTA : Tivoli Audio utilizza impiallacciate di vero legno. Le variazioni di colore e grana sono le caratteristiche del legno vero e danno alla cassa la sua bellezza naturale. Come risultato, la finitura della cassa può non corrispondere ad altri prodotti Tivoli Audio. Si può inoltre notare

come il legno scurisce con il tempo e l'esposizione alla luce solare. Ancora una volta, questo é normale per il vero legno.

È inoltre possibile che le impiallacciature verniciate, per esempio di blu, rosso, ecc. possano sbiadire se esposte alla luce solare. Questi eventuali danni non sono coperti dai termini di garanzia.

Garanzia limitata al di fuori del Nord America

Tivoli Audio produce i propri prodotti in conformità con i massimi standard qualitativi, riuscendo in tal modo a garantire prestazioni ottimali per i propri prodotti. Di conseguenza, Tivoli Audio offre una garanzia limitata per questo prodotto a copertura di eventuali difetti di fabbricazione dovuti a materiali o esecuzione al proprietario originale. Questa garanzia non è trasferibile.

I prodotti acquistati all'interno dell'Unione Europea e in Norvegia hanno una garanzia minima della durata di due anni. Per i paesi all'interno dei quali i termini di garanzia minimi sono determinati dalla legge, il termine di garanzia corrisponde al periodo richiesto dalla legge. In tutti gli altri paesi, la durata della garanzia corrisponde a un anno.

Questa garanzia limitata copre le funzioni del prodotto nel corso del normale utilizzo previsto ed illustrato all'interno di questo manuale dell'utente. La garanzia non offre alcuna copertura in merito a malfunzionamenti o danni risultanti dall'uso o dall'installazione impropri o irragionevoli, l'utilizzo di un caricatore per caricare batterie alcaline, accessori difettosi, modifiche, riparazioni non autorizzate, perdita o danneggiamento durante la spedizione, maneggiamento negligente, incidenti, utilizzo con tensione/corrente inappropriati, sovratensioni, fulmini o altre cause di forza maggiore, eccessiva umidità, normale usura e logoramento, utilizzo a fini commerciali, o acquisto da rivenditori non autorizzati. Il centro assistenza potrebbe richiedere la presentazione di una ricevuta al fine di verificare che l'unità sia stata acquistata da un rivenditore autorizzato.

Contattare il punto vendita o il proprio distributore locale per manutenzioni coperte dalla garanzia o riparazioni.

Evitare di aprire o smontare questo prodotto, dal momento che tale operazione invaliderebbe questa garanzia limitata. L'interno dell'unità non contiene alcun componente che richiede la manutenzione da parte dell'utente. Tivoli Audio non coprirà alcun costo sostenuto risultante dalla correzione di problemi di ricezione, dall'eliminazione di rumore/cariche statiche generati esternamente o dal danneggiamento di questo prodotto provocato da un uso improprio.

In caso di restituzione del prodotto durante il periodo di validità della garanzia e di copertura ai sensi di questa garanzia limitata, provvederemo a riparare o sostituire i componenti difettosi entro un periodo di tempo ragionevole, senza costi aggiuntivi.

QUESTA GARANZIA LIMITATA CONCEDE ALL'UTENTE SPECIFICI DIRITTI LEGALI SOGGETTI A DETERMINATE CONDIZIONI. L'UTENTE POTREBBE INOLTRE USUFRUIRE DI ALTRI DIRITTI LEGALI APPLICABILI AL PRODOTTO ACQUISITO. QUESTI DIRITTI LEGALI VARIANO DA UN PAESE ALL'ALTRO. ALCUNI PAESI NON CONSENTONO L'ESCLUSIONE, LA RESTRIZIONE O LA MODIFICA DI CERTI DIRITTI IMPLICITI O DEI LORO EFFETTI. IN QUESTE SITUAZIONI, QUESTA GARANZIA LIMITATA SARÀ APPLICABILE SOLO NELLA MISURA CONSENTITA DALLE LEGGI APPLICABILI.

Le leggi di un paese potrebbero fornire all'utente rivendicazioni legali nei confronti del rivenditore o del produttore di questo prodotto. Questa garanzia limitata non ha alcun effetto su questi diritti.

Le clausole della garanzia limitata vanno a sostituire eventuali garanzie o condizioni di diversa natura, con l'eccezione di garanzie e condizioni di natura legale. Questa garanzia limitata non ha alcun effetto su eventuali diritti legali previsti dalla legge e non preclude alcun ricorso garantito dalla legge.

Nei paesi all'interno dei quali i limiti di responsabilità non sono preclusi dalla legge, la responsabilità massima di Tivoli Audio non potrà eccedere il prezzo di acquisto corrisposto dall'utente per il prodotto. Nei paesi all'interno dei quali le limitazioni di responsabilità sono precluse dalla legge, Tivoli Audio sarà responsabile per un valore complessivo non superiore ai danni diretti risultanti da lesioni fisiche e/o a proprietà reali o personali provocati dalla negligenza di Tivoli Audio.

Laddove ciò non è proibito dalla legge, Tivoli Audio non sarà responsabile di danni incidentali, consequenziali o indiretti. Alcuni paesi non consentono limitazioni di esclusione o limitazione di riparazione, danni speciali, incidentali, consequenziali o indiretti, o limitazione di responsabilità a somme specificate, pertanto le limitazioni ed esclusioni sopracitate potrebbero non essere applicabili all'utente.

Questa garanzia limitata perde validità in caso di rimozione o illeggibilità dell'etichetta riportante il numero seriale.

In caso di acquisto di un contratto di assistenza estesa dal proprio rivenditore, se il dispositivo richiede un intervento di manutenzione successivamente al termine del periodo di validità di questa garanzia limitata, contattare il proprio provider del servizio esteso per ottenere assistenza.

Per comodità, è possibile registrare il proprio prodotto sul sito del servizio di garanzia on-line sul nostro sito Web, www.tivoliaudio.com. Non sussiste alcun obbligo legale a fornire i propri dati personali. Tuttavia, queste informazioni ci permettono di conservare un record dei prodotti Tivoli Audio acquistati dall'utente e di comprendere meglio gli acquirenti dei nostri prodotti. Le informazioni raccolte verranno utilizzate a scopo di marketing da Tivoli Audio e, ove consentito, per contattare gli utenti in merito ai prodotti acquistati o ad altri prodotti di possibile interesse distribuiti da Tivoli Audio o da altre aziende. Le informazioni fornite potrebbero essere elaborate in un altro paese.

Specifiche Tecniche

Modello:	Tivoli Audio Model Three BT
Tipo:	Radiosveglia AM/FM analogica al quarzo con tecnologia wireless <i>Bluetooth</i>
Driver:	76,2 mm (3") driver full-range, schermatura magnetica
Alimentazione:	M3-PS, 12 VDC, 1.5 A, 120V-60 Hz (UL); 230V-50 Hz (CE)
Batteria dell'orologio:	AA/UM-3 1.5 V Alcalina
Dimensioni:	21,3 cm W x 11,4 cm H x 13,3 cm D (8,375" W x 4,5" H x 5,25" D)
Peso:	1,70 kg (3,75 lb)

Tutte le specifiche sono soggette a modifiche senza obbligo di preavviso.

Tivoli Audio Si riserva il diritto di modificare il prodotto senza preavviso.

Tivoli Audio, il logo Tivoli Audio, e Model Three sono marchi registrati di Tivoli Audio, LLC. Il marchio e il logo *Bluetooth* sono marchi registrati di proprietà di Bluetooth SIG, Inc. e qualsiasi utilizzo di tali marchi da Tivoli Audio è sotto licenza. iPod, iPod touch, iPhone, e iPad sono marchi di Apple Inc., registrati negli Stati Uniti e in altri paesi.





Dit symbool waarschuwt u voor de aanwezigheid van niet-geïsoleerde spanning in het toestel, waardoor de kans op ook voor mensen gevaarlijke elektrische schokken bestaat.



Dit symbool wijst u op belangrijke bedienings-, onderhouds- en service-instructies in de bij het toestel behorende literatuur.

Belangrijke Veiligheidsinstructies

1. Lees deze instructies nauwkeurig.
2. Bewaar deze instructies.
3. Neem alle waarschuwingen in acht.
4. Volg alle instructies op.
5. WAARSCHUWING - Stel dit apparaat niet bloot aan regen of vocht om het risico van brand of elektrische schokken te verminderen.
6. Alleen reinigen met een droge doek.
7. De ventilatiegaten niet blokkeren. Installeer het apparaat volgens de instructies van de fabrikant.
8. Niet installeren in de buurt van hittebronnen, zoals radiatoren, verwarmingsroosters, ovens of ander apparaten (waaronder versterkers) die warmte afgeven.
9. De veiligheidsskenmerken van de gepolariseerde of geaarde stekker niet beschadigen. Een gepolariseerde stekker heeft twee bladen, waarbij er een breder is dan de ander. Een geaarde stekker heeft twee pinnen en een derde aardepin. Het brede blad of de derde pen zijn bedoeld voor uw veiligheid. Als de geleverde stekker niet in uw stopcontact past, moet u een elektricien raadplegen om het stopcontact te vervangen.
10. Bescherm de netkabel, zodat men er niet over kan lopen en hij niet bekneld raakt. Let vooral op de nabijheid van stekkers, stopcontacten en het punt waar de kabel op het apparaat is aangesloten.
11. Gebruik alleen aanhangsels/accessoires die worden aangegeven door de fabrikant.
12. Gebruik alleen met de wagen, standaard, driepoot, beugel of tafel die worden aangegeven door de fabrikant of die bij het apparaat wordt verkocht. Bij het gebruik van een wagen moet de wagen/apparaat-combinatie voorzichtig worden verplaatst om letsel door vallen te voorkomen.
13. Verwijder de stekker van dit apparaat uit het stopcontact tijdens onweer of wanneer het gedurende een langere periode niet wordt gebruikt.



14. Gebruik dit product uitsluitend in combinatie met het type voeding dat op de achterkant is aangegeven. Gebruik bij producten met een externe voeding een exacte vervanging als deze verloren of beschadigd is. Zie de handleiding voor producten met batterijen.
15. Trek de stekker uit het stopcontact en laat het apparaat door vakkundig personeel onderhouden onder de volgende omstandigheden:
 - a. Als het netsnoer of de stekker beschadigd is.
 - b. Als vloeistof is gemorst of voorwerpen in het apparaat zijn gevallen.
 - c. Als het apparaat is blootgesteld aan water of regen.
 - d. Als het product niet normaal werkt volgens de gebruiksaanwijzing.
 - e. Als het apparaat is gevallen of op andere wijze beschadigd is.
 - f. Als het apparaat duidelijk anders presteert.
16. Als vervangende onderdelen nodig zijn, moet u controleren of de onderhoudsmonteur onderdelen heeft gebruikt die door de fabrikant zijn opgegeven of die dezelfde kenmerken hebben als de oorspronkelijke onderdelen. Ongeautoriseerde vervanging kan brand, schokken of andere gevaren opleveren.
17. Na uitvoeren van onderhoud moet u de onderhoudsmonteur vragen om een veiligheidscontrole uit te voeren ter bevestiging dat het product goed werkt.
18. Houd dit apparaat op een veilige afstand van open vuur zoals een aangestoken kaars.
19. Het apparaat mag niet worden blootgesteld aan druppels of spetters en er mogen geen objecten gevuld met water, zoals vazen, op het apparaat worden geplaatst.
20. De aanbevolen werkt temperatuur ligt tussen 5°C en 40°C (41°F -104°F).
21. Door de ingang voor 12 V DC kan dit apparaat worden gebruikt in een boot of camper met een extra gezeekerde voeding 12 V DC, 2A.
22. WAARSCHUWING - de hoof voeding is niet afgesloten in de uit-stand maar de bedrading is stroomloos.
23. Canada voldoet aan RSS210, ICES-003.
24. De voedingsadapter is bedoeld om het apparaat te ontkoppelen en moet gemakkelijk bereikbaar zijn.

⚠ WAARSCHUWING: DE GEMONTEERDE MODEL THREE BT-ANTENNE IS NIET BEDOELD OM TE WORDEN LOSGEMAAKT.



Dit product kan gerecycled worden. Producten met dit symbool mogen NIET worden weggeworpen met het normale huisvuil. Aan het eind van de levensduur van het product moet u het naar een aangewezen verzamelpunt voor elektrische apparatuur brengen. De gemeente kan u meer informatie verstrekken over deze verzamelpunten.

De Europese richtlijn voor afval van elektrische en elektronische apparaten (WEEE) is geïmplementeerd om de hoeveelheid afval drastisch te beperken die naar afvalhoven gaat, waardoor ook de invloed op het milieu en op de gezondheid beperkt wordt. Ga verantwoordelijk te werk bij het recyclen van gebruikte producten. Als dit product nog bruikbaar is, overweeg dan het weg te geven of te verkopen.

Instructies Voor Model Three BT

Gefeliciteerd met uw aankoop van de Model Three BT, naar onze mening een van de beste AM/FM-klokradio's die hedendaags op de markt zijn. Dankzij de toevoeging van draadloze *Bluetooth*-technologie kunt u uw muziek draadloos naar de Model Three BT streamen.

Om ten volle te profiteren van wat uw nieuwe Model Three BT allemaal kan, raden wij u aan deze gebruikershandleiding volledig door te nemen. Als u vragen hebt, aarzel dan niet om rechtstreeks contact op te nemen met uw leverancier of Tivoli Audio.

Bewaar de doos en de originele verpakking voor het geval dat u de radio ooit moet opsturen, omdat verzendschade niet gedekt wordt door de fabrieksgarantie.

Namens ons allen: bedankt voor uw keuze voor Tivoli Audio en veel plezier met uw nieuwe Model Three BT!

Over Tivoli Audio

Tivoli Audio is opgericht door Tom DeVesto met als doel het leveren van eenvoudig te gebruiken, elegant ontworpen audio-producten van een hoge kwaliteit aan consumenten. Als CEO en hoofd onderzoek en ontwikkeling bij zijn vorige bedrijf, Cambridge SoundWorks*, was Tom verantwoordelijk voor de ontwikkeling van een groot aantal van de best verkopende home entertainment- en multimediacproducten op de markt. Hij bezette ook senior managementfuncties voor productontwikkeling bij zowel Advent als Kloss Video.

*Cambridge SoundWorks is een geregistreerd handelsmerk van Creative Labs, Singapore.

Meegeleverd met uw Model Three BT zijn:

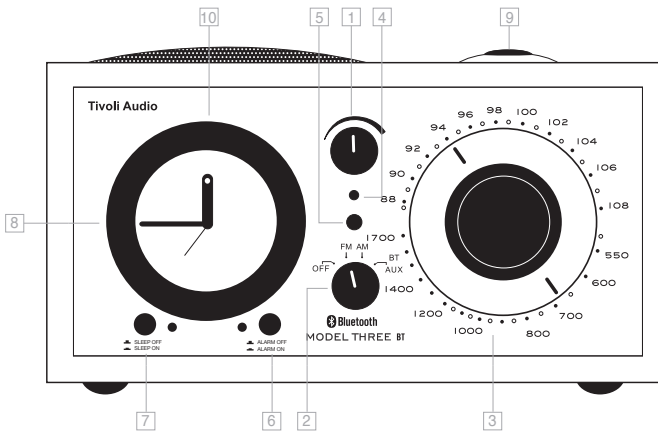
- Een (1) FM-draadantenne OF een (1) aangesloten FM telescoopantenne (afhankelijk van het land)
- Eén (1) netvoedingsadapter
- Eén (1) AA-batterij

Neem contact op met uw dealer of met Tivoli Audio als een van deze items ontbreekt.

Aan De Slag

1. Plaats de bijgeleverde AA-batterij in het batterijvak (let op de polariteit).
2. Druk op de tijdstelknop aan de achterkant totdat de klok op de juiste tijd is ingesteld.
3. Steek de connector van de externe voeding in de voedingsingang aan de achterkant en steek het andere uiteinde van het snoer in een stopcontact.
4. Stel de Model Three BT in op FM of AM, stem de radio af op de gewenste zender en stel het volume op het gewenste niveau in.

Gids Voor Functies (Voorkant)



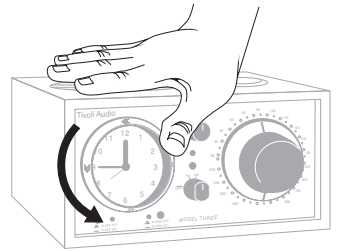
1. **VOLUME:** Draai de volumeknop naar rechts om het volume te verhogen of naar links om het volume te verlagen. Deze knop regelt ook het volume van de (niet inbegrepen) hoofdtelefoon, indien aangesloten. Als de klank ooit vervormd lijkt, verlaag het volume dan om beschadiging van de luidspreker te voorkomen.
2. **UIT/FM/AM/AUX KNOP:** Draai de knop één klik naar rechts om naar de FM-band te luisteren, twee klikken naar rechts om naar middengolf (AM) te luisteren, of drie klikken naar rechts voor de extra ingang. Om *Bluetooth* in te schakelen, gaat u naar de stand Auxiliary (hulp) en volgt u de stappen als beschreven in de paragraaf “*Bluetooth* gebruiken”.
3. **AFSTEMKNOP:** Draai de analoge afstemwijzer naar rechts of links om het frequentiebereik voor FM (bovenste helft van de wijzerplaat) of AM (onderste helft) af te stemmen.
4. **AAN/UIT-LAMPJE:** Brandt groen wanneer de UIT/FM/AM/AUX-knop op een andere stand dan uit (OFF) staat en de wekkerknop niet is geactiveerd.
5. **AFSTEMINDICATOR:** Het helderst bij de beste afstemming. Sommige AM-stations die u kunt ontvangen, doen de afstemindicator niet oplichten zodat u deze op het gehoor moet afstemmen. Dit lampje kan al dan niet oplichten in de stand AUX, afhankelijk van de stand van de AM-wijzer..
6. **WEKKERKNOP:** Na het instellen van de wektijd met behulp van het daarvoor dienende duimwiel drukt u deze knop in om de wekker te activeren. Het corresponderende groene lampje licht op. Het lampje blijft branden totdat de wekkerknop wordt uitgezet. Druk de wekkerknop omhoog om de wekker te deactiveren. Het lampje gaat uit.
7. **INSLAAPKNOP:** Zet de UIT/FM/AM/AUX-knop op AM of FM, stem de radio af op de zender waarbij u wilt inslapen, en stel het volume op het gewenste niveau in. Druk op de inslaapknop. Het corresponderende groene lampje licht op. De radio schakelt na ongeveer 20 minuten vanzelf uit. Het lampje blijft branden totdat de inslaapknop wordt uitgezet.

8. **DUIMWIEL VOOR WEKTIJD:** Draai het aluminium duimwiel linksom totdat de wijzers de tijd aanwijzen wanneer u wakker wilt worden. **Draai de ring voor de wektijd nooit rechtsonder om het mechanisme niet te beschadigen.**

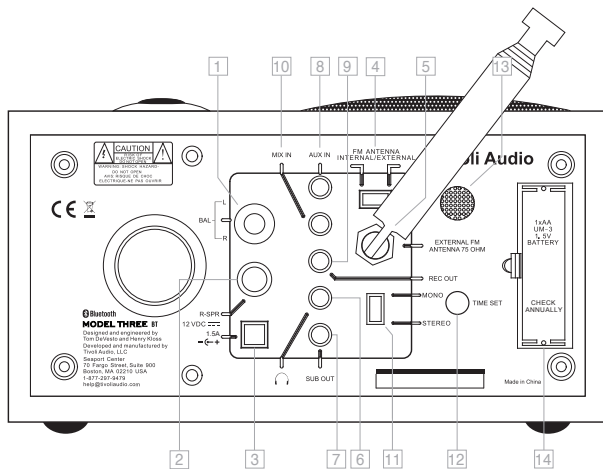
9. **SLUIMERKNOP (BOVENKANT VAN BEHUIZING):** Druk op de sluimerknop als de wekker afgaat, houd de knop ingedrukt en laat de knop vervolgens los om het wekgeluid gedurende ongeveer 5 minuten af te zetten. Na 5 minuten gaat de wekker automatisch opnieuw af. De sluimertijd is niet instelbaar.

10. **KLOK:** Deze analoge kwartsklok is uitgerust met een hoogwaardig mechanisch kwartsgangwerk dat zorgt voor superieure nauwkeurigheid. De klok werkt op één AA-batterij zodat stroomuitval geen invloed op de nauwkeurigheid van de klok heeft. Controleer de batterij jaarlijks om te zorgen dat de klok nauwkeurig blijft. De achtergrondverlichting van de klok kan niet worden uitgeschakeld of geregeld. Het is normaal dat het enkele seconden duurt voordat de verlichting uitgaat nadat de voeding is losgekoppeld.

Belangrijke opmerking: Door de aard van het analoge mechanisme van het duimwiel waarmee de wektijd wordt ingesteld (ontworpen met het oog op eenvoud) kan de activering van het wekgeluid tot vijf minuten afwijken. Als de wektijd bijvoorbeeld is ingesteld op 10.00 uur, is het mogelijk dat de wekker afgaat om vijf vóór of vijf na tien. Wij raden u aan om hiermee rekening te houden en de wektijd de eerste keer te vroeg in te stellen. Naarmate u uw Model Three BT gebruikt, krijgt u een beter idee over de wektijd waarop u de wekkerradio moet instellen om de wekker op het gewenste tijdstip te doen afgaan.



Gids Voor Functies (Achterkant)



- BALANS:** Wanneer de (afzonderlijk verkrijgbare) Stereo of Dual Alarm Speaker is aangesloten, zet u de mono/stereo-schakelaar op STEREO. Draai de balansknop omhoog om de linkerluidspreker (hoofdunit) te horen of omlaag om de rechterluidspreker (stereo) te horen. Bij pal in het midden is de links/rechts-balans evenwichtig verdeeld.
- R SPR:** Sluit de tulpstekker van de kabel van de (afzonderlijk verkrijgbare) rechter Stereo of Dual Alarm Speaker aan op deze ingang en zet de mono/stereo-schakelaar op STEREO. Door een andere luidspreker dan de Stereo of Dual Alarm Speaker van Tivoli Audio aan te sluiten, komt de garantie te vervallen en raakt uw apparaat wellicht beschadigd.
- 12VDC:** Sluit de bijgeleverde netvoedingsadapter aan op deze ingang of gebruik een optionele gelijkstroomvoeding. Sluit de voeding niet aan op een stopcontact dat met een schakelaar wordt geregeld. Als de schakelaar per ongeluk wordt uitgezet, begint de radio (indien ingesteld) niet te spelen op de wektijd. Gebruik uitsluitend de voeding die met dit product is meegeleverd. Als de voeding beschadigd of verloren is, gebruik dan uitsluitend een gelijkwaardige vervanging. De connector is 5,5 mm/2,1 mm met positief middencontact.
- FM ANTENNESCHAKELAAR:** Schakelaar tussen interne en externe FM-antennes. Deze schakelaar heeft geen invloed op AM-ontvangst. In sommige gevallen kan de FM-ontvangst verbeteren door de antenneschakelaar op Extern te zetten.
- EXTERNE FM-AANSLUITING:** Afhankelijk van uw land kunt u bij het luisteren naar FM de meegeleverde draadantenne over deze F-connector schuiven, of de telescoopantenne aanpassen en voor de beste ontvangst positioneren. In omgevingen met een krachtig FM-sigitaal kan de ontvangst verbeteren door de antenne in te korten. Als de eenheid niet in gebruik is of als u naar AM luistert, moet u de antenne ter bescherming ingeschoven houden. Deze antenne heeft geen invloed op AM-ontvangst. Zie ook de paragraaf "Ontvangst".
- HOOFDTELEFOON UIT:** Sluit op deze instelbare stereo-uitgang een hoofdtelefoon aan (niet meegeleverd) voor ongestoord luisteren. De hoofdtelefoon schakelt de luidspreker uit. Het volume van de hoofdtelefoon is instelbaar met de volumeknop. Deze stereo-uitgang is bedoeld voor een 3,5 mm stereo mini connector. Luister niet met een te hoog volume door een hoofdtelefoon om uw gehoor niet te beschadigen.

7. **SUB OUT:** Deze uitgang is bedoeld voor de 3,5 mm stereo mini-jackplug van de audiokabel van de optionele Tivoli Audio Model Subwoofer of een andere, compatibele subwoofer.
8. **AUX IN:** Om naar audio te luisteren die afkomstig is van een ander apparaat, zoals een cd-speler, MP3-speler of computer, sluit u de audio-uitgang van dat apparaat aan op deze stereo-ingang en zet u de schakelaar op de voorkant op Aux. Het aangesloten apparaat wordt hiermee niet ingeschakeld. Deze stereo-ingang is bedoeld voor een 3,5 mm stereo mini connector. U moet eerst aangesloten *Bluetooth*-apparaten verwijderen om de bedrade AUX IN-aansluiting te gebruiken. De Aux In-aansluiting is niet beschikbaar als een *Bluetooth*-apparaat is aangesloten. U moet eerst alle *Bluetooth*-apparaten ontkoppelen voordat u de bekabelde functie Aux In kunt gebruiken. **OPMERKING:** Mogelijk moet u het volumeniveau afwijkend instellen voor een extra apparaat van het niveau voor het luisteren naar de radio.
9. **REC OUT:** U kunt van de Model Three BT opnemen door de audio-ingang van een cassettedeck (of ander opname-apparaat) aan te sluiten op deze stereo-uitgang. U kunt de Model Three BT ook gebruiken als een hoogpresterende analoge tuner door hem aan te sluiten op de audio-ingang van een voorversterker of geïntegreerde versterker. Bij het gebruik van deze uitgang wordt de luidspreker niet gedempt. Deze uitgang is bedoeld voor een 3,5 mm stereo mini connector.
10. **MIX IN:** Als u de audiouitgang van uw computer op deze 3,5 mm ingang aansluit, geeft de Model Three BT tijdens de weergave van een FM- of AM-radiostation ook alle geluidssignalen van uw computer weer. Als voor Auxiliary gekozen is, fungeert deze ingang als tweede auxiliary-ingang. Het volumeniveau wordt bepaald door de op de ingang aangesloten klankbron.
11. **MONO/STEREO:** Deze schakelaar moet altijd op MONO staan, behalve wanneer de rechter (afzonderlijk verkrijgbare) Stereo of Dual Alarm Speaker is aangesloten. In dat geval moet STEREO worden geselecteerd. Als u gebruik maakt van de tweede luidspreker en de schakelaar op STEREO staat, is het wellicht een goed idee om met deze schakelaar te experimenteren wanneer u naar de radio luistert, omdat de stand MONO de statische ruis in de FM-band kan verhelpen. De hoofdtelefoon- en REC OUT-uitgangen zijn stereo en worden niet beïnvloed door deze schakelaar, tenzij de UIT/FM/AM/AUX-knop is ingesteld op AM (altijd mono) of FM en deze schakelaar op MONO staat.
12. **TIJDINTELKNOP:** Druk kort op deze knop en laat hem los om de wijzers in kleine stappen vooruit te zetten. Houd deze knop ingedrukt om de wijzers van de klok ononderbroken vooruit te zetten. Laat de knop los wanneer de klok juist is ingesteld. De wekkerknop moet op uit (OFF) staan als u de tijd instelt.
13. **WEKKERROOSTER:** De pieptoon van de wekker klinkt via het rooster. Blokkeer dit rooster niet.
14. **RESERVEBATTERIJ:** Verwijder de batterijklep en plaats een nieuwe 1,5 V AA-alkalinebatterij van een bekend merk. Let op de polariteit. De klok werkt continu op de batterijvoeding en de batterij fungeert ook als reservebatterij. In geval van stroomuitval houdt de reservebatterij de klok in werking en zorgt voor de wektoon als de wekkerknop op aan (ON) staat, op voorwaarde dat een nieuwe batterij correct is geïnstalleerd. Bij stroomuitval brandt de achtergrondverlichting van de wijzerplaat niet en werkt de radio niet om de batterij te sparen. Controleer de batterijvoeding jaarlijks en vervang de batterij uitsluitend door een 1,5 V AA-alkalinebatterij van een bekend merk. Als de klok niet meer werkt, vervang dan de batterij. Voer lege batterijen af volgens de voorschriften in uw land of regio. Verwijder de batterij als de Model Three BT gedurende een langere periode wordt opgeslagen of niet wordt gebruikt.

Bluetooth Gebruiken

Controleer voor het koppelen of uw apparaat *Bluetooth 2.1+EDR A2DP* ondersteund en of het niet is gekoppeld aan een ander *Bluetooth*-apparaat. Apparaten kunnen op verschillende manieren koppelen. Hieronder volgt een algemene gids.

1. Plaats de Model Three BT in de stand Aux. Hierdoor wordt *Bluetooth* ingeschakeld. Draai het volume tot ongeveer $\frac{1}{4}$ om te beginnen. Verhoog ook het volume op het bronapparaat (het apparaat van waaraf u streamt).
2. Schakel *Bluetooth* in op de ingeschakelde apparaten.
3. Selecteer "Tivoli *Bluetooth* (Not Paired (niet gekoppeld))" als dit op het scherm van uw apparaat verschijnt om het zoeken te starten. Sommige apparaten kunnen om een PIN-code vragen. Typ in dat geval "0000". "Tivoli *Bluetooth*" verandert van "Not Paired" (Niet gekoppeld) in "Connected" (Verbonden).
4. U hoort een beltoon van de Model Three BT als bevestiging van de verbinding en u kunt uw muziekbestanden draadloos afspelen. Pas het volume op het apparaat aan. U hoeft het apparaat niet opnieuw te koppelen. **Afhankelijk van uw apparaat moet u mogelijk meerdere pogingen ondernemen voor paren en/of verbinden met de Model Three BT, maar geef het apparaat voldoende tijd om te Paren of Verbinden voordat u het proces herhaalt.**

Een iPhone/iPod Touch/iPad Met *Bluetooth* Koppelen

1. Plaats de Model Three BT in de stand Aux. Hierdoor wordt *Bluetooth* ingeschakeld. Draai het volume tot ongeveer $\frac{1}{4}$ om te beginnen. Verhoog ook het volume op het bronapparaat (het apparaat van waaraf u streamt).
2. Selecteer "Settings" (Instellingen) (afhankelijk van uw softwareversie).
3. Selecteer "General" (Algemeen).
4. Selecteer "*Bluetooth*".
5. Schakel *Bluetooth* in om het zoeken te starten.
6. Selecteer "Tivoli *Bluetooth* (Not Paired (Niet gekoppeld))" als dit op het scherm verschijnt. Als u gevraagd wordt om een PIN-code in te voeren, typt u "0000". "Tivoli *Bluetooth*" verandert van "Not Paired" (Niet gekoppeld) in "Connected" (Verbonden).
7. U hoort een beltoon van de Model Three BT en u kunt uw muziekbestanden draadloos afspelen. Pas het volume op het apparaat aan. U hoeft uw iPhone/iPod/iPad niet opnieuw te koppelen.

Het volumeniveau van de muziekbestanden kan verschillen. Als u voorkeur hebt voor een hoger uitvoerniveau, controleer dan de instellingen van de iPhone/iPod touch/iPad: Schakel de EQ uit, de SoundCheck uit en de Volume limit (Volumebegrenzing) uit.

Als u bij het koppelen een probleem ondervindt, drukt u op het pijltje rechts van "Tivoli *Bluetooth*" op het scherm van uw iPhone/iPod touch/iPad en selecteert u "Dit apparaat vergeten", waarna u het koppelingsproces herhaalt. **Afhankelijk van uw apparaat moet u mogelijk meerdere pogingen ondernemen voor paren en/of verbinden met de Model Three BT, maar geef het apparaat voldoende tijd om te Paren of Verbinden voordat u het proces herhaalt.**

Bij het streamen van muziek kunt u op het blauwe pijltje rechts van de knop voor het volgende nummer >>/ op het scherm van de iPhone/iPod touch/iPad om te schakelen tussen de iPhone/iPod touch/iPad en *Bluetooth*.

OPMERKING:

- De Model Three BT onthoudt koppelgegevens voor maximaal 8 apparaten. Er kunnen meer apparaten gekoppeld worden, maar het minst recent gebruikte apparaat wordt dan vervangen door het nieuw gekoppelde apparaat.
- Als het geluid wegvalt of stopt tijdens het afspelen, plaatst u het apparaat dicht bij de Model Three BT of controleert u of een ander draadloos apparaat het signaal niet stoort.
- Bij het omschakelen van *Bluetooth* naar AM of FM moet u mogelijk het volumeniveau van de radio aanpassen.

Ontvangst

De interne FM- en AM-antennes zorgen voor een goede ontvangst. Voor de AM-band draait u de radio voor de beste ontvangst. Een optionele draadloze AM-antenne kan de ontvangst verbeteren.

Gebouwen met betonnen, stalen of aluminium buitenkanten kunnen de ontvangst verstoren. Huis-houdelijke apparatuur, elektrische dekens, computers, cd-spelers en andere elektronische apparaten kunnen eveneens een nadelige invloed op de ontvangst hebben of ruis toevoegen. Verplaats in dat geval de Model Three BT uit de buurt van het storende apparaat of steek de stekker in een stopcontact dat niet met een ander apparaat gedeeld wordt. Metalen oppervlakken kunnen de ontvangst van AM verstoren.

Plaatsing

Plaats het apparaat op een stevige, vlakke ondergrond. Plaatsing in een boekenkast, kast of dicht bij muren kan de bas versterken.

Reinigen

Gebruik nooit bijtende schoonmaakmiddelen voor de radio. Gebruik geen spuitwas. Haal de stekker uit het stopcontact voordat u de Model Three BT schoonmaakt. U kunt de voorkant schoonmaken met een vochtige zachte doek. Als u de houten kast schildert of bevekt, maakt dit de garantie ongeldig.

OPMERKING: Tivoli Audio gebruikt echt houtfineer op de kast. Omdat natuurlijk hout sterk verschilt, is het niet mogelijk om een exacte kleur- en structuurovereenkomst voor hout tussen de modellen te verkrijgen. U kunt ook merken dat het hout na verloop van tijd donkerder wordt door de inwerking van zonlicht. Ook dit is normaal voor echt hout.

Het is ook mogelijk dat gekleurd fineer zoals blauw, rood enz. door blootstelling aan zonlicht kan vervagen. Dit valt niet onder de garantie.

Beperkte Garantie

Tivoli Audio maakt zijn producten volgens zeer hoge standaarden en we hebben er alle vertrouwen in dat onze producten goed presteren. Daarom geven we een beperkte garantie op dit product voor fabricagefouten in materiaal en vakmanschap voor de eerste eigenaar. Deze garantie kan niet worden overgedragen.

De minimum garantietermijn voor producten aangeschaft in de Europese Unie en Noorwegen is twee jaar. Voor landen waar de voorwaarden voor de minimale garantie wettelijk zijn vastgelegd, is de garantietermijn de wettelijk vereiste periode. Overal elders is de garantietermijn één jaar.

Deze Beperkte Garantie dekt de werking van het product voor het normale bedoelde gebruik zoals beschreven in deze handleiding. Het dekt geen slecht functioneren of schade als gevolg van onjuist of onredelijk gebruik of installatie, het gebruik van de lader voor alkaline-batterijen, defecte extra apparatuur, modificaties, ongeautoriseerde reparaties, schade of verlies bij transport, misbruik, ongelukken, gebruik bij onjuiste spanning/stroom, spanningspieken, blikseminslag of andere handelingen van God, overdadig vocht, normale slijtage, commercieel gebruik of aanschaf bij niet-geautoriseerde verkopers. Voor reparaties onder garantie kan als bewijs een aankoopbewijs van een geautoriseerde verkoper worden verlangd.

Neem contact op met de verkoper of de plaatselijke distributeur voor onderhoud of reparatie onder garantie.

Open dit product niet en haal het niet uit elkaar, omdat dit deze Beperkte Garantie ongeldig maakt. Binnenin bevinden zich geen onderdelen die u zelf kunt repareren. Tivoli Audio vergoedt geen kosten die ontstaan als gevolg van correctie van ontvangst, eliminatie van extern gegenereerde statische/ruis, tijdverlies, ongemak, verlies van gebruik van het product, of schade als gevolg van onjuist gebruik van dit product.

In het geval dat het product geretourneerd wordt tijdens de garantietermijn en in aanmerking komt voor onderhoud onder deze Beperkte Garantie, zullen we alle defecte onderdelen herstellen of vervangen binnen een redelijke tijdsperiode en zonder kosten.

DEZE BEPERKTE GARANTIE VERLEENT U SPECIFIEKE RECHTEN AFHANKELIJK VAN DE OP-GEGEVEN CONDITIES. MOGELIJK HEBT U OOK ANDERE WETTELIJKE RECHTEN DIE VAN TOEPASSING ZIJN OP HET DOOR U AANGESCHAFTE PRODUCT. DEZE WETTELIJKE RECHTEN VERSCHILLEN VAN LAND TOT LAND. SOMMIGE PLAATSEN STAAN HET UITSLUITEN, BEPERKEN OF MODIFICEREN VAN BEPAALDE IMPLICIETE RECHTEN OF HUN EFFECT NIET TOE. IN DIE GEVALLEN IS DEZE BEPERKTE GARANTIE UITSLUITEND VAN TOEPASSING VOOR ZOVER DE BETREFFENDE WET DIT TOESTAAT.

De wetten van uw land kunnen u voorzien van wettelijke aanspraken jegens de verkoper of fabrikant van dit product. Deze Beperkte Garantie beïnvloedt die rechten niet.

De voorzieningen van de Beperkte Garantie komen in plaats van andere garanties of voorwaarden, behalve welke door de wet geleverd zijn. Deze Beperkte Garantie heeft geen invloed op enige juridische rechten die u geboden worden door de wet en sluit geen remedie uit die u onder de wet hebt.

In landen waar beperkingen op de aansprakelijkheid niet wettelijk zijn uitgesloten, zal de maximale aansprakelijkheid van Tivoli Audio niet uitgaan boven de aankoopprijs die u voor het product hebt betaald. In landen waar beperkingen van aansprakelijkheid door de wet zijn uitgesloten, zal Tivoli Audio voor niet meer aansprakelijk zijn dan de rechtstreekse kosten voor lichamelijke letsels, en/of vastgoed of persoonlijke eigendommen voortvloeiend uit nalatigheid van Tivoli Audio.

Waar dit niet wettelijk is verboden, zal Tivoli Audio niet aansprakelijk zijn voor speciale, incidentele, consequentiële of indirecte schade. Op sommige plaatsen zijn beperkingen niet toegestaan op de uitsluiting of beperking van hulp, speciale, incidentele, consequentiële of indirecte schade, of de beperking van aansprakelijkheid tot opgegeven bedragen, zodat de bovenstaande beperkingen of uitsluitingen mogelijk niet op u van toepassing zijn.

Deze Beperkte Garantie is ongeldig als het etiket met het serienummer verwijderd of beschadigd is. Als u een uitgebreid onderhoudscontract hebt afgesloten bij uw verkoper en onderhoud nodig is na het verlopen van deze Beperkte Garantie, moet u contact opnemen met de aanbieder van het uitgebreide onderhoudscontract om deze dienstverlening te verkrijgen.

Voor uw gemak kunt u u w product voor garantie online registreren op onze website www.tivoliaudio.com. U bent niet wettelijk verplicht om persoonlijke informatie te geven. Deze informatie stelt ons echter in staat om bij te houden, welke producten van Tivoli Audio u bij ons hebt aangeschaft, zodat we een beter begrip krijgen van de kopers van onze producten. De verzamelde informatie zal worden gebruikt voor marketingdoeleinden door Tivoli Audio en, waar dit is toegestaan, om contact met u op te nemen in verband met de producten die u hebt aangeschaft of andere producten van Tivoli Audio of andere bedrijven die mogelijk voor u van belang zijn. De informatie die u aanbiedt, kan in andere landen worden verwerkt.

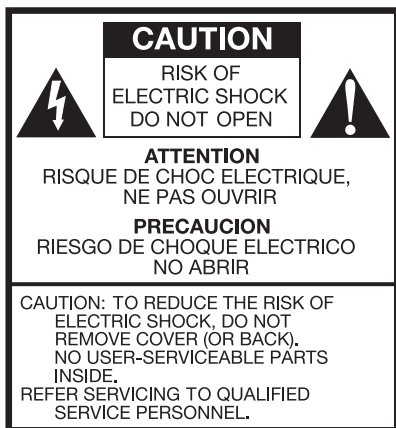
Technische Gegevens

Model:	Tivoli Audio Model Three BT
Type:	Analoge kwartsklok/AM/FM-radio met draadloze <i>Bluetooth</i> technologie
Luidspreker:	Een 76,2 mm luidspreker voor alle frequenties, video-afgeschermd
Voeding:	M3-PS, 12 V DC, 1,5 A, 120 V – 60 Hz (UL); 230 V – 50 Hz (CE)
Klokbatterij:	AA/UM-3 1,5 V Alkaline
Afmetingen:	21,3 cm B x 11,4 cm H x 13,3 cm D (8.375" B x 4.5" H x 5.25" D)
Gewicht:	1,70 kg (3,75 lb)

Specificaties kunnen zonder bericht vooraf wijzigen.

Tivoli Audio behoudt zich het recht voor om wijzigingen aan het product aan te brengen zonder bericht vooraf. Tivoli Audio, het Tivoli Audio-logo, en Model Three zijn handelsmerken van Tivoli Audio, LLC. Het *Bluetooth* woordmerk en logo's zijn geregistreerde handelsmerken van Bluetooth SIG, Inc. en elk gebruik van deze merken door Tivoli Audio is onder licentie. iPod, iPod touch, iPhone, en iPad zijn handelsmerken van Apple Inc., geregistreerd in de V.S. en andere landen. Andere handelsmerken en handelsnamen zijn die van hun respectievelijke eigenaren.





Dette varselssymbolet advarer mot høyspente komponenter i produktet som kan føre til elektrisk støt ved uforsiktig bruk.



Dette symbolet indikerer problemer relatert til drift og service, og henviser til viktig informasjon i medfølgende bruksanvisning.

Viktige Sikkerhetsinstruksjoner

1. Les disse instruksjonene.
2. Oppbevar disse instruksjonene.
3. Vær oppmerksom på alle advarsler.
4. Følg alle instruksjoner.
5. ADVARSEL - For å redusere risikoen for brann eller elektrisk støt, ikke utsett dette apparatet for regn eller fukt.
6. Rens kun med tørr klut.
7. Ikke blokker noen av åpningene for ventilering. Installerer i samsvar med produsentens instruksjoner.
8. Ikke installer i nærheten av noen varmekilder som for eksempel radiatorer, varmegulv, ovner, eller andre apparater (inkludert forsterkere) som produserer varme.
9. Ikke overvinn sikkerhetshensikten til den polariserte eller jordførende stikkontakten. En polarisert stikkontakt har to utstikkere, den ene videre enn den andre. En jordførende stikkontakt har to utstikkere, og en tredje spiss som er jordførende. Den brede utstikkeren eller den tredje spissen er tilgjort for din sikkerhet. Dersom den levete stikkontakten ikke passer til ditt støpsel, konsulter med en elektriker om å skifte ut støpselet.
10. Beskytt strømledningen fra å bli tråkket på eller klemt, spesielt ved stikkontakter, beholdere for bekvemmelighet, og de punktene hvor de kommer ut fra apparatet.
11. Benytt kun vedlegg/tilbehør spesifisert av produsenten.
12. Brukes kun med den vognen, støtten, tripoden, braketten, eller bordet spesifisert av produsenten, eller som solgt sammen med apparatet. Når en vogn benyttes, utøv forsiktighet når forflytter kombinasjonen vognen/apparatet forflyttes. Dette for å unngå skade fra et eventuelt velt.
13. Koble fra apparatet under tordenvær eller når det står ubrukt over lengre perioder.
14. Benytt dette produktet kun med den typen strømkilde som er indikert på baksidepanelet. For de produktene som bruker en ekstern strømkilde, bruk en erstatning som er lik den opprinnelige



dersom den er tapt eller skadet. Vi henviser til brukermanualen for de produktene som går på batteri.

15. Koble produktet fra veggstøpselet, og la reparasjon bli gjort av kvalifisert personell ved følgende tilstander:
 - a. Når ledningen eller stikkkontakten for strømtilførsel er skadet.
 - b. Når væske er sølt eller gjenstander har falt inn i produktet.
 - c. Dersom produktet har vært utsatt for vann eller regn.
 - d. Dersom produktet ikke fungerer normalt ved å følge driftsinstruksjonene.
 - e. Dersom produktet på noen måte har blitt sluppet eller skadet.
 - f. Når produktet fremviser en særegen endring i ytelse.
16. Når det er behov for erstatningsdeler, forsikre deg om at din vedlikeholdstekniker brukte erstatningsdeler som er spesifisert av produsenten, eller deler som har samme egenskaper som originaldelene. Uautoriserte erstatninger kan resultere i brann, elektrisk støt eller andre farer.
17. Be alltid vedlikeholdsteknikeren utføre sikkerhetskontroller for å bekrefte at produktet er i riktig driftstilstand etter service.
18. Hold dette produktet i sikker avstand fra åpen flamme, som for eksempel et tent lys.
19. Apparatet skal ikke utsettes for drypping, skvetting eller beholdere fylt med væske. For eksempel skal vaser ikke plasseres på apparatet.
20. Den anbefalte driftstemperaturen spenner fra 5°C to 40°C (41°F -104°F).
21. 12 VDC-inngangen passer for drift av dette produktet i en båt eller bil, ved bruk av et valg- fritt 12 VDC adapter med 2 A sikring.
22. ADVARSEL – Hovedtilførselen av strøm er ikke frakoblet i av-possisjon, men kretsene er uten strøm.
23. Kanada overholder regelverket ifølge RSS210, ICES-003.
24. Strømadapteret fungerer som frakoblingsmekanismen for enheten og bør være enkelt tilgjengelig.



ADVARSEL: DEN PÅFØRTE MODEL THREE BT ANTENNEN ER IKKE MENT FOR KUNNE TAS AV.



Dette produktet kan resirkuleres. Produktet som bærer dette symbolet må IKKE kastes sammen med vanlig husholdningsavfall. På slutten av dets levetid, bring produktet til et oppsamlingspunkt beregnet for resirkulering av elektriske og elektroniske enheter. Finn ut mer om avhentings -og oppsamlingspunkter ved dine lokale myndigheter.

"The European Waste Electrical and Electronic Equip-ment" (WEEE) direktivet ble implementert for å dramatisk redusere mengden avfall lagt igjen på deponier, og herved redusere den miljømessige innvirkningen på jorda og den menneskelige helse. Vennligst opptre ansvarlig ved å resirkulere brukte produkter. Dersom dette produktet fremdeles kan brukes, vurder å gi det bort eller å selge det.

Bruksanvisning for Model Three BT

Gratulerer med kjøpet av Model Three BT. Vi mener Model Three BT er en av de beste AM/FM klokkeradioene på markedet. Med tillegget av *Bluetooth* trådløs teknologi kan du strøemme musikken din trådløst til Model Three BT.

For å få fullt utbytte av alt det nye Model Three BT kan utføre, sett av noen minutter og les nøye gjennom denne bruksanvisningen. Hvis du har spørsmål kan du gjerne ta kontakt med din leverandør eller Tivoli Audio direkte.

Vennligst bevar kartongen og den originale innpakningen skulle du noen gang behøve å transportere din radio, da transportskade ikke dekkes av fabrikkgarantien.

På vegne av oss alle sammen, vil vi takke for at du valgte Tivoli Audio. Vi håper du gleder deg over din nye Model Three BT!

Om Tivoli Audio

Tivoli Audio ble grunnlagt av Tom DeVesto. Han hadde misjonen for øyet å bringe høykvalitets lydprodukter, som er enkle å bruke og elegant utformede, ut til forbrukere. Som CEO og leder av forskning og utvikling ved hans tidligere firma, Cambridge SoundWorks*, var Tom ansvarlig for utviklingen av mange bestselgende produkter for hjemmeunderholdning og multimedia på markedet. Han hadde også lederstillinger innen produktutvikling ved både Advent og Kloss Video.

*Cambridge SoundWorks er et registrert varemerke for Creative Labs, Singapore.

Sammen med din Model Three BT så vil du finne en av hver:

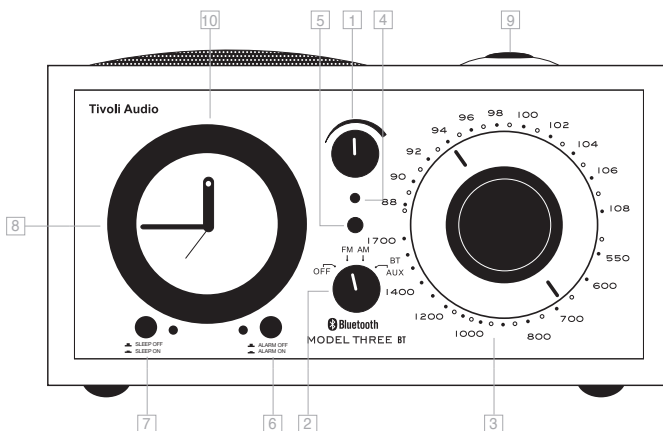
- En (1) FM kabelantenne ELLER en (1) påfestet FM teleskopantenne (avhengig av land)
- En (1) ekstern strømforsyning
- Ett (1) "AA" Batteri

Vennligst kontakt din forhandler eller Tivoli Audio dersom noen av disse enhetene mangler.

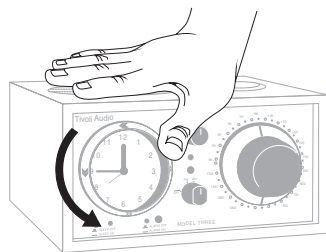
Komme i Gang

1. Sett det vedlagte "AA"-batteriet inn i kammeret på baksiden av radioen (pass på at batteripolene peker riktig vei).
2. Trykk på knappen "Time Set" på baksiden av klokkeradioen gjentatte ganger til klokken viser riktig tid.
3. Plugg strømkabelen inn i inngangen på baksiden av radioen og plugg den andre enden inn i en stikkontakt på veggen.
4. Skru på Model Three BT for FM eller AM, søk til du finner en stasjon, og juster volumet til ønsket nivå.

Guide Til Funksjoner (Framsida)



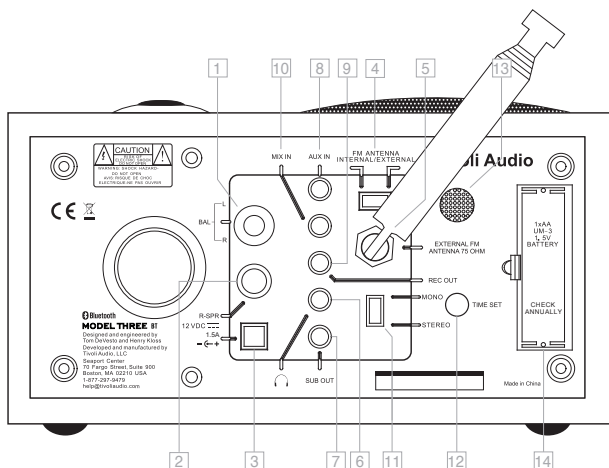
1. **VOLUM:** Skru volumknotten til høyre for å øke volumnivået eller til venstre for å dempe lydnivået. Denne knotten kontrollerer også volumet på hodetelefonen (ikke vedlagt) når den er tilkoblet. Dersom volumnivået lager en skurrelyd må du redusere nivået for å unngå å skade høyttaleren.
2. **AV/FM/AM/AUX-KNAPP:** Skru knappen ett klikk til høyre for å høre FM-båndet, to klikk til høyre for å høre AM-båndet, eller tre klikk til høyre for å velge AUX-inngangen. For å aktivere *Bluetooth*, bytt til AUX-posisjonen og følg stegene uthevet i "*Bluetooth Operation*" (drift) seksjonen.
3. **SØKEKNOTT:** Roter den analoge tunerens til høyre eller venstre for å justere FM (øvre halvdel av tunerens) eller AM (nedre halvdel av tunerens) frekvensen.
4. **KLOKKELYSET:** Lyser grønt når kildevelgeren står i alle posisjoner bortsett fra På, unntatt når alarmknappen er aktivert.
5. **TUNER-INDIKATOR:** Indikatoren viser lyseste alternativ når beste innstilling er oppnådd. Noen AM-stasjoner går det an å høre på uten at de har noen innvirkning på tuner-indikatoren, og disse må stilles inn etter øret for det klareste signal. I AUX-posisjon varierer lyset avhengig av innstillingen på AM-tunerens.
6. **ALARM:** Når du har innstilt vekketidspunktet med alarmhjulet, trykk inn knappen for å aktivere alarmen og det grønne LED-lyset slås på. LED-lyset står på inntil alarmknappen slås av. Trykk ut alarmknappen for å deaktivere alarmen og LED-lyset slukkes.
7. **INNSOVNINGSFUNKSJON:** Sett kildevelgeren til AM eller FM, velg radiostasjonen du ønsker å høre når du skal sovne og reguler volumet til ønsket lydnivå. Trykk på innsøvningsknappen (Sleep) og det grønne LED-lyset slås på. Radioen går automatisk av etter ca. 20 minutter. LED-lyset vil stå på inntil innsøvningsknappen slås av.
8. **TOMMELHJULET FOR ALARMEN:** Roter aluminiumshjulet mot klokkeretningen til alarmviseren peker på vekketidspunktet. **Skru ikke alarmhjulet med klokkeretningen da du kan skade mekanismen.**



9. **SLUMREKNAPP (PÅ TOPPEN AV RADIOEN):** Når alarmen lyder, trykk, hold nede, og slipp slumreknappen for å slå av alarmlyden i ca. 5 minutter. Etter 5 minutter kommer alarmen på igjen automatisk. Slumretiden er ikke justerbar.
10. **KLOKKE:** Denne analoge kvartsklokken har finmekaniske bevegelser som gjør den svært nøyaktig. Klokken bruker kun ett "AA" batteri så strømbrydd har ingen innvirkning på klokkens nøyaktighet. Sjekk batteriet en gang i året slik at klokken holder seg nøyaktig. Klokkes bakgrunnsbelysning kan ikke slås av eller justeres. Det er normalt at det tar flere sekunder før lyset forsvinner ved strømfrakobling.

Viktig informasjon: På grunn av den analoge mekanismen på tommelhjulet, som var utformet for å gjøre det lett å bruke, kan det være et 5 minutters avvik på alarmen. For eksempel, hvis alarmen er satt til kl. 10.00 er det mulig at den aktiveres kl. 9.55 eller 10.05. Vi anbefaler at du setter alarmen tidlig ved førstegangsbruk for sikkerhets skyld. Etterhvert som du bruker din Model Three BT får du en bedre idé om hvor alarmen skal innstilles for vekking til riktig tid.

Guide Til Funksjoner (Bakre Panel)



1. **BALANSE:** Med tilkoblet stereo eller doble alarmhøytalere (selges separat), sett sono/stereo bryteren til stereo. Vri balanseknappen oppover for å høre den venstre (hoved) høytaleren, eller nedover for å høre den høyre (stereo) høytaleren. Midtposisjonen gir balansert lyd til begge høytalere.
2. **R SPR:** Foreta tilkobling av RCA-kabelen (hankjønet) fra den høyre stereohøytaleren eller den doble alarmhøytaleren (selges separat) til denne inngangen og sett stereo/mono-bryteren til stereo. Tilkobling av annen høytaler enn Tivoli Audio Stereo eller dobbel alarmhøytaler vil annullere produktgarantien og enheten kan skades.
3. **12VDC:** Plugg den vedlagte AC-strømledningen inn i denne inngangen eller benytt den alternative DC-strømkabelen. Foreta ikke tilkobling av strømkabelen til en elektrisk stikkontakt som kontrolleres av en bryter fordi radioen ikke kan aktivere alarmen hvis bryteren tilfeldigvis slås av. **Benytt kun strømkabelen som medfølger.** Dersom kabelen skades eller forlegges skal du kun bruke en tilsvarende kabel. Kontakten er 5,5 mm / 2,1 mm sentral positiv.

4. **FM ANTENNEBRYTER:** Bytt mellom interne og eksterne FM antenner. Dette byttet har ingen innvirkning på mottaket av AM. I noen tilfeller kan mottaket av FM forbedres ved å innstille denne antennebryteren til ekstern.
5. **EKSTERN FM-TILKOBLING:** Når du lytter til FM, avhengig av landet du befinner deg i, skyv den inkluderte kabelantennen over denne F-tilkoblingen, eller juster teleskopantennen og sett den i posisjon hvor det er best mottak. På steder hvor det er sterkt FM-signal kan en reduisering av antennens lengde gi bedre mottak. Når enheten ikke er i bruk eller når du lytter på AM, hold antennen tilbaketrukket for å beskytte den. Denne antennen har ingen innvirkning på mottaket av AM. For mer informasjon, se seksjonen merket "Mottak".
6. **UTGANG FOR HODETELEFON:** For privat lytting, koble til hodetelefoner (ikke inkludert) til denne variable stereoutgangen. Hodetelefonene vil dempe hovedhøytaleren. Volumet på hode-telefonene justeres med volumknotten. Stereoutgangen godtar en 3.5 mm, ministeriostørrelse, tilkobling. Unngå bruk av hodetelefoner ved høyt volumnivå for å unngå eventuell hørselsskade.
7. **SUB OUT:** Kobl lyd kabel fra Tivoli Audio Model Subwoofer (kjøpes separat – eller annen kompatibel subwoofer) til denne utgangen på 3.5 mm (hann-plugg).
8. **AUX-INNGANG:** For å høre lyd fra en annen enhet, som for eksempel en CD-spiller, MP3-spiller eller datamaskin, koble til enhetens lydutgang til denne stereoinngangen, og vri kildeknappen på forsiden til AUX. Byttet til AUX-posisjonen forårsaker ikke at den tilkoblede enheten slås på. Denne stereoinngangen godtar en 3.5 mm mini jack tilkobling. Aux-inngangen er utilgjengelig når en Bluetooth-enhet er tilkoblet. Du må først koble fra enhver Bluetooth-enhet for å kunne bruke den kablete funksjonen for Aux-inngangen. NOTAT: Du må muligens justere volumnivået forskjellig for en AUX-enhet, enn hva som benyttes for lytting til radio.
9. **UTGANG FOR OPPTAK:** Du kan ta opptak fra Model Three BT radioen ved å tilkoble en kassettspillers lydutgang (eller andre enheter for opptak) til denne stereoutgangen, som har et fast stereoutgangnivå. Du kan også bruke Model Three BT radioen som en analog tuner med høy ytelse. Dette gjøres ved å koble til lydinngangen på en forforsterker eller integrert forsterker. Hovedhøytaleren dempes ikke når du bruker denne utgangen. Denne kontakten godtar en 3.5 mm, ministeriostørrelse, tilkobling.
10. **MIX IN:** Kobl til lydutgang fra f.eks. en PC til denne stereoutgangen på 3.5 mm for å høre lyd mikset gjennom radioen. Når Model Three BT er stilt inn på Auxiliary, virker denne sekundært. Volumet må derfor justeres fra lydkilen. Denne inngangen tar 3.5 mm hann-plugg.
11. **MONO/STEREO:** Denne bryteren skal stå i Mono-posisjonen, bortsett fra når den er koblet til den høyre eller doble alarmhøytaleren (selges separat) da den må stå i stereo-posisjonen. Hvis du bruker en tilsvarende høytaler, og bryteren står på stereo kan du eksperimentere med bryteren mens du hører på radioen fordi det er mulig at mono-posisjonen kan fjerne statisk lyd på FM. Utgangene til hodetelefon og innspilling er stereo og påvirkes ikke av bryteren med mindre kildeknotten står på AM (som alltid er mono) eller FM og denne bryteren står på mono.
12. **INNSTILLING AV TID:** Trykk og slipp knappen raskt for å bevege indikatoren fremover i små intervaller. Trykk og hold knappen nede for å bevege klokkeviseren kontinuerlig fremover. Slipp knappen når klokken er riktig innstilt. Pass på at alarmknappen er i AV-posisjon når du innstiller tiden.
13. **ALARMRIST:** Alarmlyden kommer ut gjennom denne risten. Blokker ikke risten.
14. **BATTERI-BACKUP:** Fjern batteridekslet og sett inn et nytt 1,5 V "AA" alkalibatteri av anerkjent merke, og pass på at pluss- og minuspolene står i riktig retning. Klokken drives kontinuerlig av batteriet og fungerer også som backup. Dersom det skulle forekomme et strømbrudd vil batteriet overta klokkefunksjonene og oppvekkingslyden hvis alarmknappen står på, så lenge den

har et friskt batteri som er riktig installert. Klokkeskiven lyses ikke opp og radioen virker ikke ved strøbrudd for å forlenge batterilevetiden. Sjekk batteristyrken en gang i året og bytt den kun ut med et anerkjent merke, 1,5 V "AA" alkaline batteri. Hvis klokken stopper må du bytte ut batteriet. Kast utbrukte batterier på forsvarlig måte i henhold til gjeldende lover og regler. Ta ut batteriet hvis Model Three BT skal lagres eller stå ubrukt over en lengre periode.

Bluetooth Drift

Før synkronisering, bekreft at din enhet støtter *Bluetooth* versjonen 2.1+EDR A2DP, og at din enhet ikke er tilkoblet noe annet *Bluetooth* produkt. Enheter kan synkronisere forskjellig. Nedenfor finner du en generell guide.

1. Skru Model Three BT til AUX-posisjonen. Dette vil skru på *Bluetooth*. Skru volumet til omtrent ¼ ved oppstart. I tillegg, skru opp volumet på kildeenheten (enheden som du strømmer fra).
2. Skru på *Bluetooth* trådløs teknologi på din aktiverte enhet.
3. Velg "Tivoli *Bluetooth* (Not Paired)" når det fremkommer på skjermen på din enhet. Dette for å starte søk. Noen enheter vil be deg føre inn et PIN-nummer. Dersom så er tilfelle, før inn "0000". "Tivoli *Bluetooth*" kommer til å endre status fra "Not Paired" (ikke synkronisert) til "Connected" (synkronisert).
4. Du kommer til å høre en ringetone fra Model Three BT som bekrefter tilkobling, og du kan nå begynne trådløs avspilling av dine musikkfiler. Juster volumet på din enhet. Du skal ikke behøve å synkronisere din enhet på ny. **Du må kanskje foreta flere forsøk på synkronisering med, og/eller oppkobling til, Model Three BT. Dette avhenger av din enhet. Men vennligst gi enheten din adekvat tid til å synkronisere eller koble til før du gjentar prosessen.**

Synkronisering Av En iPhone/iPod Touch/iPad Som Er Aktivisert Med *Bluetooth* Trådløs Teknologi

1. Skru Model Three BT til AUX-posisjonen. Dette vil skru på *Bluetooth*. Skru volumet til omtrent ¼ ved oppstart. I tillegg, skru opp volumet på kildeenheten (enheden som du streamer fra).
2. Velg "Settings" (Innstillinger) (avhengig av enhetens programvareversjon).
3. Velg "General" (Generelt).
4. Velg "*Bluetooth*".
5. Skru *Bluetooth* "On" (på) for å starte søk.
6. Velg "Tivoli *Bluetooth* (Not Paired)" når det fremkommer på skjermen. Dersom du blir bedt om å føre inn et PIN-nummer, før inn "0000". "Tivoli *Bluetooth*" kommer til å endre status fra "Not Paired" (ikke synkronisert) til "Connected" (synkronisert).
7. Du kommer til å høre en ringetone fra Model Three BT og du kan nå begynne trådløs avspilling av dine musikkfiler. Juster volumet på din enhet. Du skal ikke behøve å synkronisere din iPhone/iPod/iPad på ny.

Volumets utgangsnivå varierer for de forskjellige musikkfiler. Dersom du foretrekker et høyere utgangsnivå på volumet, kontroller innstillingene på din iPhone/iPod touch/iPad: Still EQ til av, lydtest til av og volumnivået til av.

Dersom det oppstår et problem med synkroniseringen, på skjermen til din iPhone/iPod touch/iPad, trykk på den lille pilen på høyre side på "Tivoli *Bluetooth*", og velg "Forget this device" (glem denne enheten). Deretter gjenta synkroniseringsprosessen. **Du må kanskje foreta flere forsøk på synkroni-**

sering med, og/eller oppkobling til, Model Three BT. Dette avhenger av din enhet. Men vennligst gi enheten din tilstrekkelig tid til å synkronisere eller koble til før du gjentar prosessen.

Ved streaming av musikk, så kan du på skjermen til iPhone/iPod touch/iPad trykke på den blå pilen på høyre side av knappen for neste musikkfil >>. Dette for å veksle mellom iPhone/iPod/iPad og *Bluetooth*.

VIKTIG INFORMASJON:

- Model Three BT husker synkroniseringsinformasjon for inntil 8 enheter. Flere enheter kan synkroniseres, men den enheten som ble benyttet for lengst tid siden, vil erstattes av den nylig synkroniserte enheten.
- Dersom lyden faller ut eller stanser under avspilling, flytt enheten nærmere Model Three BT eller kontroller at ingen annen trådløs enhet forstyrrer signalet.
- Når du bytter fra *Bluetooth* til AM eller FM, så må du muligens rejustere (senke) radioens volumnivå.

Mottak

De interne AM og FM antennene gir god mottagelse. For AM, roter radioen for å få best mulig mottagelse. En alternativ trådløs AM-antenne kan forbedre AM-mottagelsen.

Bygninger laget av betong, stål eller aluminiumsfasader kan hindre mottaket. Husholdningsapparater, elektriske tepper, datamaskiner, CD-spillere og andre elektroniske enheter, kan også negativt påvirke mottaket eller føre til støy. Dersom du opplever dette, flytt Model Three BT lengre bort fra den forstyrrende enheten, eller plugg den i et elektrisk støpsel som ikke deles med noen annen enhet. Metalloverflater kan også hindre mottaket av AM.

Plassering

Plasser enheten på en flat, stabil overflate. Plassering på en bokhylle eller i et skap, nær vegger eller hjørner kan dempe bassen.

Rensing

Aldri bruk noen sterkt konsentrerte rense- eller løsemidler på din radio. Unngå voks i sprayform. Koble fra Model Three BT før rensing. Frontpanelet kan renses med en lett fuktet, myk klut. Maling eller tilgrising med flekker av treet vil ugyldiggjøre garantien.

NOTAT: Kabinettene til Tivoli Audio består av ekte trefiner. Det er umulig å få nøyaktig lik farge på treet for alle modellene, dette da naturlig tre varierer stort i tekstur. Du kan også komme til å merke at treet mørkner over tid grunnet eksponering for sollys. Som tidligere nevnt, dette er normalt for ekte tre.

Det er også mulig at fargede overflater slik som blå, rød, osv., kan blekne fra eksponering av sollys. Dette dekkes ikke av garantien.

Begrenset Garanti

Tivoli Audio produserer sine produkter etter veldig høye standarder, og vi er sikre på at de fungerer bra. Derfor gir vi en begrenset garanti til eieren av dette produktet. Produktgarantien gjelder eventuelle produksjonsfeil vedrørende materiale og bearbeidelse. Denne garantien er ikke overførbar.

Produkter kjøpt innen EU og Norge har en minimum garanti pålydende to år. For land hvor regler for minimumsgaranti er fastsatt ved lov, etterfølger garantiperioden det som loven krever. Alle andre steder, er garantiperioden pålydende ett år.

Denne begrensede garantien dekker funksjonaliteten til produktet for dets normale, beregnet bruk som spesifisert i denne eiermanualen. Den dekker ikke en funksjonsfeil eller skade som har oppstått fra uriktig eller urimelig bruk eller installasjon, bruk av laderen til å lade alkaliske batterier, feil på hjelpeutstyr, modifikasjoner, uautorisert reparasjon, skade eller tap under frakt, misbruk, ulykker, bruk av uriktig strømspenning, overspenninger, lynnedslag eller andre hendelser fra naturens side, for mye fuktighet, normal slitasje ved daglig bruk, kommersiell bruk eller kjøp fra uautoriserte forhandlere. Bevis på kjøp som viser at enheten ble kjøpt fra en autorisert forhandler, vil sannsynligvis kreves fremlagt ved vedlikehold ifølge garanti.

Vedrørende vedlikehold eller reparasjon ifølge garanti, vennligst kontakt forhandleren som du kjøpte enheten fra eller en lokal distributør.

Vennligst avstå fra og åpne dette produktet eller ta det fra hverandre, da dette vil ugyldiggjøre denne begrensede garantien. Det finnes ingen deler på innsiden som kan repareres av bruker. Tivoli Audio betaler ikke for kostnader som har oppstått grunnet korreksjon av problemer med mottak, eliminering av eksternt oppstått stativitet/støy, tap av tid, uleiligheter, tap av benyttelse av produkt eller skade forårsaket av uriktig bruk av produktet.

Dersom produktet er returnert under garantiperioden og har krav på vedlikehold ifølge den begrensede garantien, vil vi reparere eller erstatte enhver defekt del innen en rimelig tidsperiode og uten kostnad.

DENNE BEGRENSEDE GARANTIEN GIR DEG SPESIFIKKE LOVPÅLAGTE RETTIGHETER IFØLGE ANGITTE BETINGELSER. DET KAN VÆRE AT DU HAR ANDRE LOVPÅLAGTE RETTIGHETER OGSÅ SOM GJELDER DET PRODUKTET DU HAR ANSKAFFET DEG. DISSE LOVPÅLAGTE RETTIGHETENE VARIERER FRA LAND TIL LAND. NOEN STEDER TILLATER IKKE UTELATELSE, RESTRIKSJON ELLER MODIFISERING AV BESTEMTE UNDERFORSTÅTTE RETTIGHETER ELLER DERES EFFEKT. I SLIKE SITUASJONER VIL DENNE BEGRENSEDE GARANTIEN IKKE GJELDE TIL DEN GRADEN SOM DEN GJELDENE LOVEN TILLATER.

Lovene i ditt land kan gi deg lovpålagte krav mot selgeren eller produsenten av dette produktet. Denne begrensede garantien påvirker ikke disse rettighetene.

Den begrensede garantiens avsetninger er i stedet for alle andre garantier eller forhold, bortsett fra de som er nedskrevet i lov. Denne begrensede garantien påvirker ikke noen lovpålagte rettigheter som er gitt deg, og hindrer ikke noe rettsmiddel du måtte ha ifølge lov.

I land hvor regler vedrørende erstatningsansvar ikke er fastsatt ved lov, skal erstatningssummen fra Tivoli Audio aldri overskride kundens innkjøpspris. I land hvor regler vedrørende ansvar hindres av lov, er Tivoli Audio kun ansvarlig for det som har med direkte fysisk skade å gjøre, og/eller ekte eller personlig eiendom oppstått grunnet uaktsomhet fra Tivoli Audio.

Hvor det ikke er forbudt ifølge lov, skal Tivoli Audio ikke være erstatningsansvarlig for spesielle, tilfeldige eller indirekte skader. I noen land tillates ikke begrensninger av forbrukerrettigheter eller regler for lindring, spesiell, tilfeldig, følge- eller indirekte skader, eller begrensningen av ansvar for spesifiserte beløp, så begrensningene eller utelatelsetene ovenfor gjelder kanskje ikke for deg.

Denne begrensede garantien ugyldiggjøres dersom etiketten som bærer serienummeret er fjernet eller er uleselig.

Dersom du kjøpte en utvidet vedlikeholdskontrakt fra din forhandler og vedlikehold behøves etter utløpet av denne begrensede garantien, vennligst kontakt forhandleren som du kjøpte kontrakten fra for å be om vedlikehold.

For din bekvemmelighet, kan du registrere ditt produkt for vedlikehold ifølge garanti. Dette gjør du på vår hjemmeside www.tivoliaudio.com. Det er ingen lovpålagt plikt som sier at du må oppgi personlig informasjon. Likevel, slik informasjon tillater oss å opprettholde dokumentasjon på produktene ervervet av deg fra Tivoli Audio, og gjør at vi kan bedre forstå kjøperne av våre produkter. Informasjonen som innhentes vil benyttes til markedsføringsformål av Tivoli Audio og, hvor tillatt, kontakte deg vedrørende produktene du har ervervet, eller vedrørende andre produkter fra Tivoli Audio eller andre firmaer som kan ha interesse for deg. Informasjonen som du oppgir kan muligens bli behandlet i et annet land.

Spesifikasjoner

Modell:	Tivoli Audio Model Three BT
Type:	Analog AM/FM kvarts klokkeradio med <i>Bluetooth</i> trådløs teknologi
Prosesor:	En 76.2 mm (3") full tone prosessor, videobeskyttet
Strømforsyning:	M3-PS, 12 VDC, 1.5 A, 120V-60 Hz (UL); 230V-50 Hz (CE)
Klokkebatteri:	AA/UM-3 1.5 V Alkalinn
Dimensjoner:	21.3 cm B x 11.4 cm H x 13.3 cm D (8.375" B x 4.5" H x 5.25" D)
Vekt:	1.70 kg (3.75 lb)

Spesifikasjoner kan endres på uten forvarsel.

Tivoli Audio reserverer retten til å endre på produkter uten forvarsel.

Tivoli Audio, Tivoli Audio-logoen og Model Three er varemerker tilhørende Tivoli Audio, LLC. *Bluetooth* ordmerke og logoer er registrerte varemerker eiet av Bluetooth SIG, Inc. og enhver bruk av sådanne merker av Tivoli Audio er gitt med lisens. iPod, iPod touch, iPhone, og iPad er varemerker for Apple Inc., registrert i USA og andre land. Andre varemerker og handelsnavn er tilhørende andre respektive eiere.





Tämä symbolin tarkoituksena on varoittaa käyttäjää sähköiskun vaarasta.



Tämä symbolin tarkoituksena on huomauttaa tärkeästä laitteen käyttöön liittyvästä ohjeesta tai varoituksesta.

Tärkeitä Turvallisuusohjeita

1. Lue nämä ohjeet.
2. Säilytä nämä ohjeet.
3. Huomioi kaikki maininnat varoituksista.
4. Noudata kaikkia ohjeita.
5. VAROITUS – Sähköiskuvaaran vähentämiseksi älä altista tätä laitetta kosteudelle tai sateelle.
6. Puhdista vain kuivalla liinalla.
7. Älä tuki tuuletusaukkoja. Asenna valmistajan ohjeiden mukaan.
8. Älä asenna lähelle lämpölähteitä kuten pattereita, liesiä tai muita laitteita (mukaan lukien vahvistimet), jotka tuottavat lämpöä.
9. Älä kumoa polarisoidun tai maadoitetun pistokkeen turvatarkoitusta. Polarisoidussa pistokkeessa on kaksi piikkiä, joista toinen on leveämpi. Maadoitetussa pistokkeessa on kaksi piikkiä ja kolmas maadoituspiikki. Leveä piikki, tai kolmas piikki, on turvallisuutesi vuoksi. Jos toimitettu pistoke ei sovi pistorasiaan, pyydä sähköasentajaa asentamaan uusi pistorasia.
10. Suojaa virtajohto sen päällä kävelemiseltä tai sen puristumiselta, varsinkin pistokkeiden ja pistorasioiden kohdalla ja niiden laitteesta ulostulon kohdassa.
11. Käytä vain valmistajan määrittämiä lisälaitteita/lisävarusteita.
12. Käytä vain valmistajan määrittämän tai laitteen mukana myydyin vaunun, jalustan, kolmijalkaisen jalustan, kannattimen tai pöydän kanssa. Jos käytät vaunua, varo ettei vaunun ja laitteen yhdistelmä kaadu sitä siirrettäessä.
13. Kytke tämä laite irti virrasta ukonilman aikana tai kun sitä ei käytetä pitkään aikaan.
14. Käytä tätä tuotetta vain takapaneeliin merkitystä virtalähteestä. Jos ulkoista virtalähdettä käytettäessä se vaurioituu tai häviää, on tilalle hankittava täsmälleen samanlainen. Käytettäessä tuotetta paristovirralla katso ohjeita käyttöoppaasta.



15. Kytke tuote irti seinäpistorasiasta ja anna se pätevän huoltohenkilökunnan huollettavaksi seuraavissa tilanteissa:
 - a. Kun virtajohto tai pistoke on vaurioitunut.
 - b. Jos tuotteeseen on läikkynyt nestettä tai pudonnut esineitä.
 - c. Jos tuote on altistettu vedelle tai sateelle.
 - d. Jos tuote ei toimi kunnolla käyttöohjeita noudattamalla.
 - e. Jos tuote on pudonnut tai vaurioitunut.
 - f. Jos tuotteen suorituksessa on merkittävä muutos.
16. Kun tarvitaan vaihto-osia, varmista, että huoltoteknikko on käyttänyt valmistajan määrittämiä vaihto-osia tai alkuperäisiä osia vastaavia tuotteita. Valtuuttamattomien vaihto-osien käyttö voi aiheuttaa tulipalon, sähköiskun tai muita vaaroja.
17. Jokaisen huoltokerran jälkeen pyydä huoltoteknikkoa suorittamaan turvallisuustarkistukset, jotta varmistetaan tuotteen olevan hyvässä käyttökunnossa.
18. Tämä tuote tulee pitää turvallisella etäisyydellä liekistä, kuten esim. palava kynttilä.
19. Laitetta ei saa altistaa nesteiden tippumiselle tai roiskumiselle eikä sen päälle saa asettaa nesteitä sisältäviä esineitä, kuten kukkamaljakoita.
20. Suositeltava käyttölämpötila on 5°C – 40°C (41°F – 104°F).
21. 12 VDC tasavirtatulo sopii tämän tuotteen käyttöön veneessä tai asuntoautossa, käyttäen valinasta 12 VDC tasavirran, 2 A sulakkeellista sovitinta.
22. VAROITUS – Verkkovirta ei ole katkaistu off-asennossa, mutta piirit ovat virrattomia.
23. Kanada noudattaa vaatimuksia RSS210, ICES-003.
24. Virtasovitin toimii virrankatkaisuvälineenä ja sen tulisi olla helposti käytettävissä.



VAROITUS: KIINNITETTYÄ MODEL THREE BT: N ANTENNIA EI OLE TARKOITETTU IRROTETTAVAKSI.



Tämä tuote voidaan kierrättää. Tällä merkillä merkityjä tuotteita EI saa heittää pois tavallisen kotitalousjätteen mukana. Tuotteen käyttöään lopussa se on vietävä sähköisten ja elektronisten laitteiden kierrätykseen tarkoitettuun keräyspisteeseen. Pyydä lisätietoja palautuksesta ja keräyspisteistä paikallisilta viranomaisilta.

Euroopan sähkö- ja elektroniikkalaiteromusta annettu direktiivi (WEEE) on toteutettu vähentämään kaatopaikoille menevän romun määrää ja siten vähentämään ympäristöä ja ihmisten terveyttä koskevaa vahinkoa. Toimi vastuuntuntoisesti kierrättämällä käytetyt tuotteet. Jos tuote on yhä käyttökelpoinen, harkitse sen lahjoittamista tai myymistä.

Model Three BT:n Ohjeet

Onnittelut Model Three BT:n oston johdosta. Uskomme, että Model Three BT on yksi hienoimmista saatavilla olevista AM/FM-kelloradioista. *Bluetooth*-langattoman teknologian lisäyksen ansiosta voit virtauttaa musiikkia langattomasti Model Three BT:hen.

Saadaksesi täyden hyödyn uuden radiosii ominaisuuksista lue ensin tämä käyttöopas alusta loppuun. Jos sinulla on kysymyksiä, älä epäröi ottaa yhteyttä jälleenmyyjääsi tai suoraan Tivoli Audio.

Säilytä laatikko ja alkuperäispakkaus siltä varalta, että radio on joskus lähetettävä muualle, koska tehtaan takuu ei kata kuljetusvaurioita.

Kiitämme meidän kaikkien puolesta, että olet valinnut Tivoli Audio ja toivomme sinun nauttivan uudesta Model Three BT!

Tietoja Tivoli Audio

Tivoli Audio on perustanut Tom DeVesto tarkoituksella tuoda helppokäyttöisiä, tyylikkäitä, korkealuokkaisia audiotuotteita asiakkaille. Edellisen yhtiönsä, Cambridge SoundWorks*, toimitusjohtajana ja tutkimus- ja kehitystoiminnan päällikkönä, Tom oli vastuussa monien parhaiden kotiviihde- ja multimediataotteiden kehityksestä markkinoilla. Hän toimi myös tuotekehittelyn ylimmän johdon asemassa sekä Advent että Kloss Video.

*Cambridge SoundWorks on rekisteröity tuotemerkki, jonka omistaa Creative Labs, Singapore.

Model Three BT:n kanssa toimitetaan yksi seuraavista:

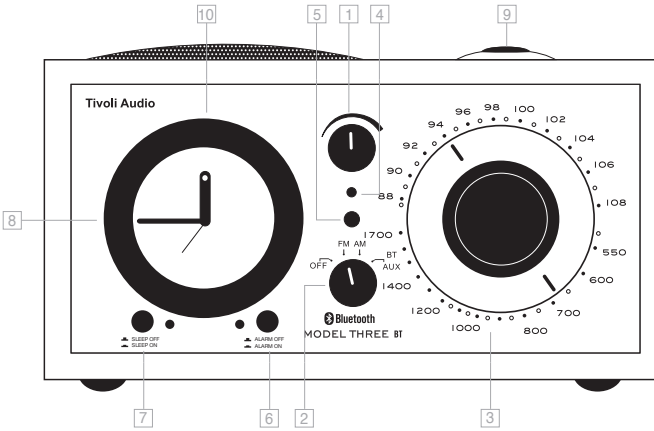
- Yksi (1) FM-lanka-antenni TAI yksi (1) liitetty FM-teleskoopiantenni (maan mukaan)
- Yksi (1) ulkoinen virtalähde
- Yksi (1) ”AA”-paristo

Ota yhteyttä jälleenmyyjään tai Tivoli Audioon, jos yksi näistä osista puuttuu.

Alkuvalmistelut

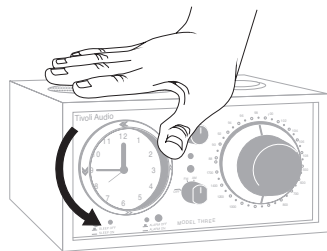
1. Aseta mukana toimitettu ”AA”-paristo kellon takaosassa olevaan paristolokeroon (huomaa oikea polaarisuus).
2. Paina takana olevaa ”Time Set” (Ajan asetus) -painiketta, kunnes kello on asetettu oikeaan aikaan.
3. Työnnä ulkoisen virtalähteen liitin takana olevaan virransyöttöliitäntään ja kytke toinen pää seinän pistorasiaan.
4. Käännä Model Three BT:n valitsin joko FM- tai AM-kanavalle, viritä asemalle ja säädä äänenvoimakkuus halutulle tasolle.

Opas Toimintoihin (Etupuoli)



- 1. ÄÄNENVOIMAKKUUS:** Lisää äänenvoimakkuutta kääntämällä nuppia oikealle tai pienennä äänenvoimakkuutta kääntämällä nuppia vasemmalle. Tällä nupilla säädetään myös kuulokkeiden äänenvoimakkuutta (kuulokkeet on hankittava erikseen), kun ne on yhdistetty. Jos äänenvoimakkuus kuuluu vääristyneeltä, pienennä tasoa, jotta kaiutin ei vaurioidu.
- 2. OFF/FM/AM/AUX-SÄÄDIN:** Naksauta nuppia kerran oikealle kuullaksesi FM-taajuuksilla, naksauta kaksi kertaa oikealle kuullaksesi AM-taajuuksilla tai kolme kertaa oikealle, jos valitset lisälaitetulon. Aktivoi *Bluetooth* vaihtamalla Aux-asentoon ja noudattamalla ohjeita kohdasta "*Bluetooth*-käyttö".
- 3. VIRITYSSÄÄDIN:** Käännä analogisen virityksen valitsinta oikealle tai vasemmalle säätääk- sesi FM- (valitsimen yläosa) tai AM-taajuudet (valitsimen alaosa).
- 4. VIRTAVALO:** Palaa vihreänä, kun lähdenuppi on muussa asennossa kuin pois päältä (Off), paitsi silloin kun Alarm (herätys) -painike on aktivoitu.
- 5. VIRITYKSEN ILMAISIN:** Kirkkain, kun paras viritys on saavutettu. Joissakin kuunneltavissa AM-asemissa ei näy valoa virityksen ilmaisimessa, nämä asemat on viritettävä korvakuulolla parhaan signaalin saamiseksi. Tämä valo ei saata jäädä palamaan AUX-asemassa, riippuen AM-valitsimen asennosta.
- 6. HERÄTYS:** Kun olet asettanut herätysajan käyttäen hälytyksen peukalopyörää, paina tämä painike sisään herätyksen aktivoimiseksi ja vastaava vihreä LED-valo syttyy. LED-valo palaa, kunnes herätyspainike on pois päältä. Ota herätys pois päältä painamalla herätyspainiketta ja LED-valo sammuu.
- 7. NUKU:** Käännä lähdenuppi joko AM- tai FM-kanavalle, viritä radio asemalle, jota haluat kuunnella nukahtaessasi ja säädä äänenvoimakkuus halutulle tasolle. Paina Nuku-painiketta ja vastaava vihreä LED-valo syttyy. Radio sammuu automaattisesti noin 20 minuutin kuluttua. LED-valo palaa, kunnes Nuku-painike on pois päältä.

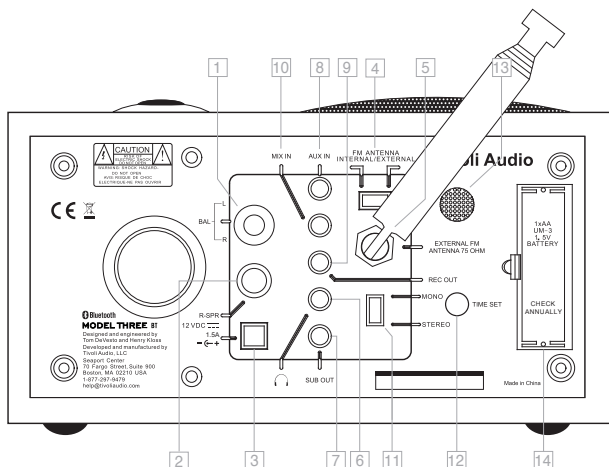
8. **HÄLYTYKSEN PEUKALOPYÖRÄ:** Käännä alumiinista peukalopyörää vastapäivään, kunnes herätysviisari osoittaa määrättyä aikaa, jolloin haluat herätä. **Älä käännä hälytyksen etulevyä myötäpäivään tai voit vaurioittaa sen mekanismin.**



9. **TORKKU (KOTELON PÄÄLLÄ):** Kun hälytys kuuluu, paina, pidä alhaalla ja vapauta Snooze (torkku) -painike hälytyksen vaimentamiseksi noin 5 minuutiksi. Viiden minuutin kuluttua hälytys kuuluu uudelleen automaattisesti. Torkkuaikaa ei voi säätää.

10. **KELLO:** Tässä analogisessa kvartsikellossa on hieno mekaaninen kvartsikoneisto, jonka tarkuus on erinomainen. Kello toimii yhdellä ”AA”-paristolla, joten sähkökatkot eivät vaikuta kellon tarkkuuteen. Tarkista paristo vuosittain, jotta kello käy oikein. Kellon valaistusta ei voi säätää eikä sammuttaa. Valo sammuu normaalisti muutaman sekunnin kuluttua, jos virtalähde on katkaistu.

Tärkeä huomautus: Peukalopyörän yksinkertaisen analogisen mekanismin vuoksi, hälytyksen aktivoinnissa voi olla jopa viiden minuutin ero. Jos herätysajaksi on esimerkiksi asetettu kello 10.00, on mahdollista, että hälytys aktivoituu kello 9.55 tai 10.05. Tämän vuoksi suosittelemme, että asetat herätyksen ensimmäisellä käyttökerralla aikaisin. Kun käytät Model Three BT-radiotasi, saat paremman käsityksen siitä, mihin aikaan sinun on asetettava hälytys, jotta heräät haluttuna aikana.



Opas Toimintoihin (Takapaneeli)

1. **BALANCE (TASAPAINO):** Stereo- ja Dual Alarm -kaiuttimen ollessa liitettynä (myydään erikseen), aseta mono/stereo-kytkin asentoon Stereo. Käännä tasapainonuppiä ylöspäin kuullaksesi vasemman (pääyksikön) kaiuttimen, tai alaspäin kuullaksesi oikean (stereo) kaiuttimen äänen. Keski-asento tuottaa yhtä suuren äänen tasapainon molempien kaiuttimien välillä.
2. **R SPR (O KAI):** Liitä RCA-urospäinen kaapeli oikeasta stereokaiuttimesta tai Dual Alarm -kaiuttimesta (myydään erikseen) tähän syöttöliittimeen ja kytke stereo/mono-kytkin asentoon Stereo.

Muun kuin Tivoli Audio Stereon tai Dual Alarm -kaiuttimen liittäminen mitätöi takuun ja mahdollisesti vioittaa yksikön.

3. **12VDC:** Liitä mukana toimitettu vaihtovirtalähde tähän syöttöön tai käytä valinnaista tasavirtalähdettä. Älä kytke virtalähdettä sähköpistorasiaan, joka on kytkimellä säädetty, sillä jos kytkin käännetään vahingossa pois päältä, hälytys ei toimi kellosa kuten asetettu. **Käytä vain tämän tuotteen mukana toimitettua virtalähdettä.** Jos virtalähde vahingoittuu tai kadotetaan, käytä vain samanlaista sen tilalle. Liittimen on oltava 5,5 mm/2,1 mm keskipositiivinen.
4. **FM-ANTENNIN KYTKIN:** Sisäisen ja ulkoisen FM-antennin välinen kytkin. Tällä kytkimellä ei ole vaikutusta AM-vastaanottoon. Joissakin tapauksissa FM-vastaanotto voi parantua aset- tamalla tämä kytkin ulkoisen asentoon.
5. **ULKOINEN FM-YHTEYS:** Kun kuuntelet FM-asemaa, riippuen maasta, liu'uta toimitettu lanka-antenni tähän F-liitimeen tai säädä teleskooppiantennin asentoa ja suuntaa parhaan vastaanoton saamiseksi. Jos alueella on vahva FM-signaali, antennin lyhentäminen voi tuottaa paremman vastaanoton. Kun yksikkö ei ole käytössä tai kuunneltaessa AM-asemaa, antenni tulee vetää sisään sen suojaamiseksi. Tällä antennilla ei ole vaikutusta AM-vastaanottoon. Katso lisätietoja kohdasta "Vastaanotto".
6. **KUULOKKEEN ULOSTULO:** Liitä kuulokkeet (hankittava erikseen) tähän stereoliitäntään kun haluat kuunnella ilman kaiuttimia. Kuulokkeet mykistävät pääkaiuttimen. Kuulokkeiden äänen-voimakkuutta säädetään äänenvoimakkuuden säätimestä. Tähän stereotuloon sopii 3,5 mm stereon miniurosliitin. Vältä käyttämästä kuulokkeita kovalla äänenvoimakkuudella, koska se saattaa vahingoittaa kuuloasi.
7. **SUB OUT:** Tivoli Audio oma Model Subwoofer on kytkettävissä tähän liitäntään 3,5 mm:n stereo plugilla. Model Subwoofer on lisävaruste.
8. **AUX IN:** Kuunnellaksesi muita laitteita kuten CD-soitin, MP3-soitin tai tietokone, liitä kyseisen laitteen audio-lähtö tähän stereon tuloon ja kytke etupaneelin lähdenuppi asentoon Aux. Aux-asentoon vaihtaminen ei käynnistä liitettyä laitetta. Tähän stereotuloon sopii 3,5 mm:n stereon miniurosliitin. Aux In-liitäntä ei ole käytettävissä, kun *Bluetooth*-laite on yhdistetty. Irrota ensin *Bluetooth*-laite käyttäaksesi langallista Aux In-toimintoa. HUOMAUTUS: Aux-liitäntässä olevan laitteen äänenvoimakkuutta on ehkä säädettävä eri tasolle kuin radiota kuunneltaessa.
9. **REC OUT:** Voit tallentaa Model Three BT liittämällä kasettisoittimen audiotulon (tai muun tallentimen) tähän kiinteän tason stereoulostuloon. Voit myös käyttää Model Three BT huip- putehoisena analogisena viritimenä liittämällä sen esivahvistimen tai sisäisen vahvistimen audiotuloon. Pääkaiutin ei mykisty tätä ulostuloa käytettäessä. Tähän liitäntään sopii 3,5 mm stereon miniurosliitin.
10. **SEKOITUSLIITÄNTÄ (MIX IN):** Tämä liitäntä mahdollistaa radion ja linjalähtöisen oheislaitteen päällekkäisen käytön. Tämä on käytännöllistä esimerkiksi silloin kun Model Three BT -laitetta halutaan käyttää tietokoneen kaiuttimena. Tällöin saapuvan postin äänimerkki kuuluu radio-ohjelman "yli". Kytkentä tehdään 3,5 mm plugilla tietokoneen kuuloke- tai linjalähtöästä. Kun Model Three BT on kytketty Aux-tilaan, toimii MIX IN toisena Aux-liitäntänä. Äänenvoimakkuus säädetään MIX IN -liitäntään liitetystä laitteesta..
11. **MONO/STEREO:** Tämän kytkimen on oltava Mono-asennossa ellei oikea Stereo- tai Dual Alarm -kaiutin (myydään erikseen) ole liitettyä, jolloin tulee valita Stereo-asento. Jos käytät kumppani-kaiutinta ja kytkin on asetettu asentoon Stereo, voit kokeilla tällä kytkimellä radion kuuntelua, koska Mono-asento voi auttaa poistamaan FM-kanavan staattisen kohinan. Kuulokkeiden ja tallennuksen ulostulot ovat Stereo, eikä tämä kytkin vaikuta niihin, ellei lähdenuppi ole asetettu AM:ään (joka on aina Mono) tai FM:ään ja tämä kytkin on asetettu kohtaan Mono.

- 12. AJAN ASETUS:** Siirrä viisareita pienin askelin eteenpäin painamalla lyhyesti tätä painiketta ja vapauttamalla se. Siirrä kellon viisareita eteenpäin jatkuvalla liikkeellä painamalla ja pitämällä tätä painiketta alhaalla. Vapauta painike, kun kellon aika on asetettu. Varmista, että herätyspainike on pois päältä (Off), kun asetat kellonaikaa.
- 13. HÄLYTYSVERKKO:** Hälytysääni kuuluu tästä verkosta. Älä tuki tätä verkkoa.
- 14. VARAPARISTO:** Irrota paristolokeron kansi ja asenna uusi tunnetun tyyppinen 1,5 V:n "AA" alkaliparisto, huomioiden napojen oikean +/- polaarisuuden. Kello toimii jatkuvasti paristolla ja paristo toimii myös varaparistona. Virtakatkoksen tapahtuessa varaparisto ylläpitää kellon toiminnan ja hälytysäänen, jos herätyspainike on päällä (On) asennossa, edellyttäen että uusi paristo on asennettu oikein. Kellotaulu ei ole valaistu eikä radio toimi virtakatkoksen aikana pariston käyttöön säästämiseksi. Tarkista pariston vahvuus vuosittain ja vaihda vain tunnetun merkkiseen 1,5 V:n "AA"-alkaliparistoon. Jos kello lakkaa käymästä, vaihda paristo. Hävität kuluneet paristot maasi ja alueesi määräysten mukaisesti. Poista paristo, jos Model Three BT on varastoitu tai on käyttämättömänä pitkän aikaa.

Bluetooth-Toiminnon Käyttö

Varmista ennen laiteparin muodostamista, että laite tukee *Bluetooth 2.1+EDR A2DP* -toimintoa ja laitetta ei ole yhdistetty muuhun *Bluetooth*-tuotteeseen. Laitteet voivat muodostaa pariyhteyden eri tavalla. Seuraavassa on yleiset ohjeet.

1. Kytke Model Three BT Aux-asentoon. Tämä käynnistää *Bluetooth*-toiminnon. Käännä äänenvoimakkuus aluksi noin 1/4. Lisää myös lähelaitteen äänenvoimakkuutta (laite, josta ääni virtautetaan).
2. Käynnistä *Bluetooth*-langaton teknologia sitä käytävässä laitteessa.
3. Valitse "Tivoli *Bluetooth* (Not Paired)" (ei pariyhteyttä), kun se ilmestyy laitteen näyttöön haun aloittamiseksi. Jotkin laitteet pyytävät antamaan PIN-tunnuksen. Jos näin tapahtuu, anna "0000". "Tivoli *Bluetooth*"-tila muuttuu tilasta "Not Paired" (ei pariyhteyttä) tilaan "Connected" (yhdistetty).
4. Kuulet soittoäänen Model Three BT:stä, jolla vahvistetaan yhteys ja voit alkaa toistaa musiikkiedotsoja langattomasti. Säädä laitteesi äänenvoimakkuutta. Laitteen pariyhteyttä ei tarvitse muodostaa uudelleen. **Laitteestasi riippuen voit joutua yrittämään pariyhteyden luomista ja/tai yhdistämistä useaan kertaan Model Three BT-laitteeseen, mutta anna laitteellesi riittävästi aikaa pariyhteyden tai yhteyden muodostamiseen ennen prosessin toistamista.**

Pariyhteyden Muodostaminen *Bluetooth* -Langatonta Teknologiaa Käyttävillä iPhone/iPod Touch/iPad-Laitteilla

1. Kytke Model Three BT Aux-asentoon. Tämä käynnistää *Bluetooth*-toiminnon. Käännä äänenvoimakkuus aluksi noin 1/4. Lisää myös lähelaitteen äänenvoimakkuutta (laite, josta ääni virtautetaan).
2. Valitse "Settings" (asetukset) (laitteesi ohjelmistoversion mukaan).
3. Valitse "General" (yleiset).
4. Valitse "*Bluetooth*".
5. Kytke *Bluetooth* "On" (päälle) haun aloittamiseksi.

6. Valitse ”Tivoli *Bluetooth* (Not Paired)” (ei pariyhteyttä), kun viesti tulee näyttöön. Jos sinua pyydetään antamaan PIN-tunnus, anna ”0000”. ”Tivoli *Bluetooth*”-tila muuttuu tilasta ”Not Paired” (ei pariyhteyttä) tilaan ”Connected” (yhdistetty).
7. Kuulet soittoäänien Model Three BT: stä, jolla vahvistetaan yhteys ja voit alkaa toistaa musiikkitiedostoja langattomasti. Säädä laitteesi äänenvoimakkuutta. iPhone/iPodin/iPadin pariyhteyttä ei tarvitse muodostaa uudelleen.

Musiikkitiedostojen äänenvoimakkuustaso vaihtelee. Jos haluat käyttää korkeampaa tasoa, tarkista asetukset laitteista iPhone/iPod touch/iPad: Aseta EQ Off (pois päältä), SoundCheck Off (äänentarkistus pois) ja Volume limit Off (äänenvoimakkuus pois).

Jos laiteparin muodostamisessa on ongelmia, paina iPhone/iPod touch/iPad-laitteen näytössä olevaa pientä nuolta ”Tivoli *Bluetooth*” oikealla puolella ja valitse ”Forget this Device” (unohda tämä laite), ja toista laiteparin muodostaminen. **Laitteestasi riippuen voit joutua yrittämään pariyhteyden luomista ja/tai yhdistämistä useaan kertaan Model Three BT-laitteeseen, mutta anna laitteellesi riittävästi aikaa pariyhteyden tai yhteyden muodostamiseen ennen prosessin toistamista.**

Musiikkia virtautettaessa voit painaa seuraavan raidan painikkeen oikealla puolella olevaa sinistä nuolta >>/ iPhone/iPod touch/iPad-laitteiden näytössä vaihtaaksesi laitteiden iPhone/iPod/iPad ja *Bluetooth* välillä.

TÄRKEÄ HUOMAUTUS:

- Model Three BT muistaa laiteparitiedot 8 laitteelle. Lisälaitteita voidaan muodostaa, mutta vähiten viimeksi käytetty laite korvataan uudella paritetulla laitteella.
- Jos audio menetetään tai se pysähtyy toiston aikana, siirrä laite lähemmäksi Model Three BT:tä tai tarkista, ettei toinen langaton laite häiritse signaalia.
- Kun vaihdat *Bluetooth*-toiminnosta AM- tai FM-radioon, sinun on ehkä säädettävä (alennettava) radion äänenvoimakkuustasoa.

Vastaanotto

Sisäisillä FM- ja AM-antenneilla saadaan hyvä vastaanotto. Käännä radiota parhaan vastaanoton saamiseksi AM-kanavalla. Valinnainen langaton AM-antenni voi parantaa AM-kanavan vastaanottoa.

Betonista, teräksestä ja alumiinista rakennetut rakennukset saattavat häiritä vastaanottoa. Kodinkoneet, sähköpeitteet, tietokoneet, CD-soitimet ja muut elektroniset laitteet voivat myös haitallisesti vaikuttaa vastaanottoon tai tuottaa häiriötä. Jos koet tällaisia häiriöitä, siirrä Model Three BT kauemmaksi häiritsevästä laitteesta tai kytke se pistorasiaan, johon ei ole kytketty muita laitteita. Metallipinnat voivat myös estää AM-vastaanottoa.

Sijointus

Aseta yksikkö tasaiselle, vakaalle pinnalle. Sijoittaminen kirjahyllyyn, kaappiin tai lähelle seinää tai nurkkia voi lisätä bassoa.

Puhdistaminen

Älä koskaan käytä kovia puhdistusaineita tai liuotteita radion puhdistamiseen. Vältä vahan suihkuttamista. Kytke Model Three BT irti ennen puhdistamista. Etupaneeli voidaan puhdistaa hieman kostealla pehmeällä liinalla. Puisen kaapin maalaaminen tai värjääminen voi mitätöidä takuun.

HUOMAUTUS: Tivoli Audio -kaappeihin käytetään aitoa puuvaneeria. Koska luonnon puun värit vaihtelevat suuresti, eri mallien kesken ei ole mahdollista saada täsmällisesti samaa puun väriä ja pintakuviointia. voit ehkä myös huomata puun tummenevan aikaa myöten auringon valolle altistumisesta. tämä on myös normaalia aidolle puulle.

On myös mahdollista, että värjätyt vanerit kuten siniset, punaiset jne. voivat haalistua auringonvalosta. Tämä ei ole takuun kattama.

Rajoitettu Takuu

Tivoli Audio valmistaa tuotteensa täyttämään korkeat laatuvaatimukset ja luotamme siihen, että tuotteemme toimivat hyvin. Tämän mukaisesti myönnämme alkuperäiselle ostajalle tämän tuotteen materiaaleja ja valmistusta koskevan rajoitetun takuun. Tämä takuu ei ole siirrettävissä.

Euroopan unionin maissa ja Norjassa ostetuilla tuotteilla on kahden vuoden vähimmäistakuuaika. Maissa, joissa säädökset määrittävät vähimmäistakuuehdot, takuu-aika on säädöksen vaatima aika. Kaikissa muissa paikoissa takuu-aika on yksi vuosi.

Rajoitettu takuu kattaa tuotteen toimivuuden sen normaalissa sille tarkoitettuun käytössä kuten määritellään tässä omistajan oppaassa. Se ei kata vikaa tai vauriota, joka johtuu väärästä tai kohtuuttomasta käytöstä tai asennuksesta, alkaliparistojen lataamisesta laturilla, viallisesta lisälaitteistosta, muunnoksista, luvattomista korjauksista, kuljetusvaurioista tai menetyksestä, väärinkäytöstä, onnettomuuksista, väärällä jännitteellä/virralla käytöstä, virtapiikeistä, salamoinnista tai muista luonnonmullistuksista, liiallisesta kosteudesta, normaalista kulumisesta, kaupallisesta käytöstä tai luvattomilta jälleenmyyjiltä ostoista. Takuupalvelun saamiseksi voidaan vaatia ostosite todisteena, että yksikkö on ostettu valtuutetulta jälleenmyyjältä.

Ota yhteyttä tuotteen jälleenmyyjään tai paikalliseen jakelijaan takuupalvelun tai korjauksen suhteen.

Älä avaa tätä tuotetta tai pura sitä, koska tämä voi mitätöidä rajoitetun takuun. Laitteen sisällä ei ole käyttäjän huollettavia osia. Tivoli Audio ei maksa kuluja, jotka aiheutuivat vastaanotto-ongelmien korjauksesta, ulkoisen staattisuuden/häiriön poistosta, ajan menetyksestä, hankaluuksista, tuotteen käytön menetyksestä tai tämän tuotteen väärästä käytöstä.

Siinä tapauksessa, että tuote palautetaan takuuajan aikana ja on oikeutettu saamaan huoltoa tämän rajoitetun takuun puitteissa, korjaamme tai vaihdamme vialliset osat kohtuullisen ajan kuluessa ja ilmaiseksi.

TÄMÄ RAJOITETTU TAKUU ANTAA KÄYTTÄJÄLLE TIETTYJÄ LAILLISIA OIKEUKSIA MÄÄRÄTYJEN OLOSUHTEIDEN ALAISENA. SINULLA VOI OLLA MYÖS MUITA LAILLISIA OIKEUKSIA, JOTKA SOVELTUVAT HANKKIMAASI TUOTTEESEEN. NÄMÄ LAILLISET OIKEUDET VAIHTELEVAT ERI MAIDEN MUKAAN. JOISSAKIN PAIKOISSA EI SALLITA TIETTYJEN KONKLUDENTTISTEN OIKEUKSIEN TAI NIIDEN VAIKUTUSTEN POISSULKEMISTA, RAJOITUSTA TAI MUUNTAMISTA. NÄISSÄ TAPAUKSISSA TÄMÄ RAJOITETTU TAKUU ON VOIMASSA VAIN SOVELLETTAVAN LAIN SALLIMASSA LAAJUUDESSA.

Oman maasi lait voivat antaa sinulle laillisia vaateita tämän tuotteen myyjää tai valmistajaa vastaan. Tämä rajoitettu takuu ei vaikuta kyseisiin oikeuksiin.

Rajoitetun takuun säännökset annetaan kaikkien muiden takuiden tai ehtojen sijasta, laissa määrättyjä lukuunottamatta. Tämä rajoitettu takuu ei vaikuta lain sinulle antamiin laillisiin oikeuksiin eikä kiellä sinulla mahdollisesti olevaa lain alaista korvausvaatimusta.

Maissa, joissa vastuun rajoitukset ovat laissa kiellettyjä, Tivoli Audio ei ole vastuussa muusta kuin henkilövammojen suorista vahingoista ja/tai henkilökohtaisen tai kiinteistön suorista vahingoista, jotka johtuvat Tivoli Audion laiminlyönnistä.

Missä tämä ei ole laissa kielletty, Tivoli Audio ei ole vastuussa erityisistä, satunnaisista, seuraamuksellisista tai epäsuorista vahingoista. Joissakin paikoissa ei sallita rajoituksia mitä tulee lievennyksen, erityisten, satunnaisten, seuraamuksellisten tai epäsuorien vahinkojen poissulkemiseen tai rajoitukseen, tai vastuun rajoitusta tiettyihin määriin, joten yllä olevat rajoitukset tai poissulkemiset eivät saata koske sinua.

Tämä rajoitettu takuu on mitätön, jos sarjanumerolipuke on poistettu tai turmeltu.

Jos ostit laajennetun huoltosopimuksen jälleennyjältäsi ja huolto on tarpeen tämän rajoitetun takuuaikana, ota yhteyttä laajennetun huoltosopimuksen tarjoajaan huollon saamiseksi.

Voit kätevästi rekisteröidä tuotteesi takuuhuoltoa varten verkossa osoitteessa www.tivolioaudio.com. Sinulla ei ole mitään laillista velvollisuutta antaa henkilökohtaisia tietoja. Sellaisten tietojen avulla voimme kuitenkin ylläpitää tietoja hankkimistasi Tivoli Audion tuotteista ja ymmärtää paremmin tuotteidemme ostajia. Tivoli Audio käyttää kerättyjä tietoja markkinointitarkoituksiin ja missä sallittu, ottaa yhteyttä sinuun hankkimiesi tuotteiden suhteen tai muiden Tivoli Audion tai muiden yritysten sinua mahdollisesti kiinnostavien tuotteiden suhteen. Antamasi tiedot voidaan käsitellä toisessa maassa.

Tekniset Tiedot

Malli:	Tivoli Audio Model Three BT
Tyyppi:	Analoginen kvartsikelloradio, AM/FM ja langaton <i>Bluetooth</i> -teknologia
Ohjain:	Yksi 76,2 mm (3") koko alueen ohjain, videosuojattu
Virtalähde:	M3-PS, 12 V DC, 1,5 A, 120 V-60 Hz (UL); 230 V-50 Hz (CE)
Kellon paristo:	AA/UM-3 1,5 V:n alkaliparisto
Mitat:	21,3 cm L x 11,4 cm K x 13,3 cm S (8,375" L x 4,5" K x 5,25" S)
Paino:	1,70 kg (3,75 lb)

Tekniset tiedot voivat muuttua ilman erillistä ilmoitusta.

Tivoli Audio pidättää itsellään oikeuden tehdä muutoksia tuotteeseen ilman erillistä ilmoitusta.

Tivoli Audio, Tivoli Audio logo ja Model Three ovat Tivoli Audio, LLC:n tavaramerkkejä. *Bluetooth* -sanamerkki ja logot ovat Bluetooth SIG, Inc:n omistamia rekisteröityjä tavaramerkkejä ja Tivoli Audion sellaisten merkkien käyttö on lisenssin alaista. iPod, iPod touch, iPhone ja iPad ovat Apple Inc:n tavaramerkkejä, jotka on rekisteröity Yhdysvalloissa ja muissa maissa. Muut tavaramerkit ja tavaranimet ovat vastaavien omistajiensa omia.





Denna symbol avser att varna användaren för att icke isolerad spänning kan förekomma inuti apparaten. Vidrörande av delarna inuti apparaten kan leda till elektriska stötar.



Denna symbol avser att upplysa användaren om att viktiga instruktioner angående användandet och handhavandet av apparaten finns att läsa i bruksanvisningen.

Viktiga Säkerhetsföreskrifter

1. Läs dessa anvisningar.
2. Spara dessa anvisningar.
3. Beakta alla varningar.
4. Följ alla bruksanvisningar.
5. **WARNING!** För att undvika risk för brand eller elektrisk stöt, bör denna anordning inte exponeras för regn eller fukt.
6. Rengör endast med en torr duk.
7. Blockera inte ventilationsöppningar. Installera i enlighet med tillverkarens anvisningar.
8. Installera inte nära värmekällor som exempelvis värmeledningselement, värmeaggregat, spisar eller andra apparater (inklusive förstärkare) som genererar värme.
9. Modifiera aldrig polariserade och jordade stickkontakter så att deras säkerhetsfunktioner påverkas. En polariserad stickkontakt har två blad, där det ena är bredare än det andra. En jordad stickkontakt har två blad och ett tredje jordat stift. Det breda bladet, eller tredje stiftet, är för din säkerhet. Om stickkontakten som medföljer inte passar i uttaget ska du konsultera en elektriker för att byta ut uttaget.
10. Skydda nätsladden så du inte trampar på eller klämmer ihop den, speciellt vid stickkontaktens och eluttagets anslutningspunkt.
11. Använd endast tillbehör/tillvalsutrustning som specificeras av tillverkaren.
12. Använd endast med vagn, stativ, trefotsstativ, fäste eller bord som specificeras av tillverkaren eller som säljs med anordningen. När du använder vagn ska du vara försiktig när du flyttar kombinationen vagn/anordning för att undvika personskada om enheterna välter.
13. Koppla från denna apparat under åskväder eller om den inte ska användas under en längre tid.



14. Använd denna produkt endast med en sådan strömkälla som anges på bakpanelen. För produkter som använder en extern strömförsörjningsdel ska du ersätta den med en exakt liknande enhet om den förloras eller skadas. För produkter som är batteridrivna hänvisas du till användarhandboken.
15. Koppla denna produkt från vägguttaget och hänvisa underhållet till kvalificerad servicepersonal under följande förhållanden:
 - a. När nätsladden eller stickkontakten är skadad.
 - b. Om vätska har spillts på eller föremål fallit in i produkten.
 - c. Om produkten har exponerats för vatten eller regn.
 - d. Om produkten inte fungerar normalt även om du följer bruksanvisningen.
 - e. Om produkten har tappats i marken eller skadats på något sätt.
 - f. När produkten uppvisar klara tecken på ändrad funktionalitet.
16. När reservdelar krävs ska du säkerställa att serviceteknikern har använt sådana reservdelar som specificerats av tillverkaren eller som har samma egenskaper som originaldelarna. Oauktoriserade utbytesdelar kan resultera i brand, elektriska stöt eller andra risker.
17. Efter fullgjord service ska du be serviceteknikern utföra säkerhetskontroller för att bekräfta att produkten är i fullgott driftsskick.
18. Håll produkten på ett säkert avstånd från öppen eld, t.ex. ett tält ljus.
19. Denna apparat bör inte utsättas för droppar och stänk. Inga vattenfyllda föremål, som exempelvis vaser, bör placeras på apparaten.
20. Det rekommenderade driftstemperaturområdet är 5°C till 40°C (41°F -104°F).
21. 12 VDC-ingången är avsedd för användning av produkten i en båt eller husvagn med hjälp av en 12 VDC-tillvalsadapter på 12 VDC, med 2 A säkring.
22. VARNING - Elnätet är inte frånkopplat i läge av, men kretsarna är frånkopplade.
23. Kanada uppfyller kraven RSS210, ICES-003.
24. Eladaptern utgör frånkopplingsanordningen och bör hållas nära till hands.



VARNING! DEN MONTERADE MODEL THREE BT-ANTENNEN ÄR INTE AVSEDD ATT DEMONTERAS.



Denna produkt kan återvinnas. Produkter med denna symbol får INTE slängas med normalt hus- hållsavfall. I slutet på produktens livslängd ska du ta den till ett insamlingsställe designerat för återvinning av elektriska och elektroniska produkter. Kontakta dina lokala myndigheter för mer information om retur och insamlingsställen.

Det europeiska WEEE-direktivet för insamling av uttjänta elektronikprodukter implementerades för att drastiskt minska mängden avfall som går till avfallsupplag, i syfte att minska miljöeffekten på planeten och mänsklig hälsa. Agera ansvarsfullt genom att återvinna förbrukade produkter. Om denna produkt ännu är användbar, överväg att ge bort eller sälja den.

Instruktioner för Model Three BT

Grattis till ditt köp av Model Three BT! Vi tycker att Model Three BT är en av de bästa klockradio-apparaterna som finns på marknaden. Med hjälp av *Bluetooth*-teknik kan du trådlöst strömma din musik till Model Three BT.

Ägna en stund åt att läsa igenom bruksanvisningen så att du kan dra full nytta av Model Three BTs samtliga funktioner. Om du har några frågor, kontakta din återförsäljare eller vänd dig direkt till Tivoli Audio.

Spara förpackningen med allt packmaterial så att du har allt kvar om du någonsin skulle behöva skicka radion tillbaka, eftersom transportskada inte omfattas av garantin.

Vi tackar dig för att du valde Tivoli Audio och hoppas att du trivs med din nya Model Three BT!

Om Tivoli Audio

Tivoli Audio grundades av Tom DeVesto i syfte att erbjuda lättanvända, elegant utformade, högkvalitativa ljudprodukter. Som VD och chef för forskning och utveckling på sitt tidigare företag, Cambridge SoundWorks*, var Toms ansvarsområde utvecklingen av många av de bästa hemunderhållnings- och multimedieprodukter på marknaden. Han har också varit en del av företagsledningen, med fokus på produktutveckling, både hos Advent och Kloss Video.

*Cambridge SoundWorks är ett registrerat varumärke som tillhör Creative Labs, Singapore.

Nedanstående artiklar medföljer Model Three BT:

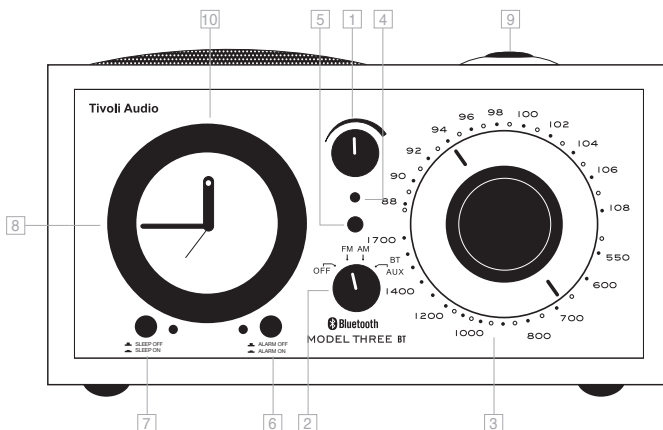
- En (1) FM-ledningsantenn ELLER en (1) ansluten FM-teleskopantenn (beroende på landet)
- En (1) extern strömförsörjningsdel
- Ett (1) AA-batteri

Kontakta återförsäljaren eller Tivoli Audio om någon av dessa artiklar saknas.

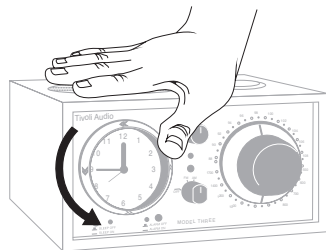
Komma Igång

1. Sätt i det medföljande AA-batteriet i batteriuttaget på baksidan (se till att du sätter polerna åt rätt håll).
2. Tryck på knappen "Time Set" på baksidan tills klockan visar önskad tid.
3. Sätt i strömkontakten i uttaget på baksidan och sätt i den andra änden av kontakten i vägguttaget.
4. Ställ in Model Three BTs radio till FM- eller AM-bandet, hitta en station och justera volymen till önskad nivå.

Funktioner (Framsida)



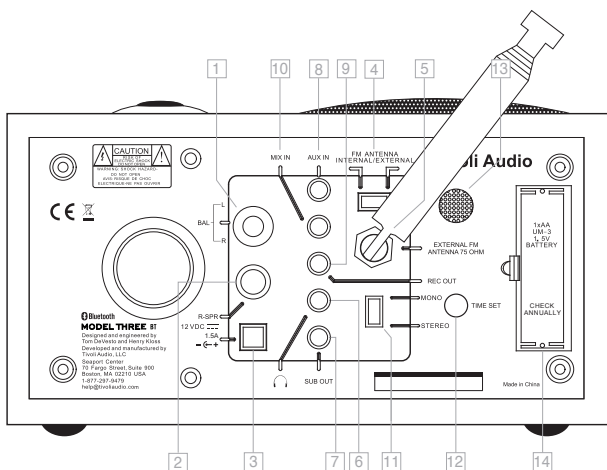
- VOLYM:** Vrid volymkontrollen till höger för att öka volymen och till vänster för att sänka den. Volymkontrollen reglerar även volymen i hörlurar (medföljer ej) när de är anslutna. Om ljudet låter förvrängt, skruva ner volymen för att undvika att högtalarelementet skadas.
- RATTEN OFF/FM/AM/AUX:** Vrid ratten ett klick till höger för att höra FM-bandet, två klick till höger för att höra AM-bandet och tre klick till höger för att välja hjälpingången (AUX). För att aktivera *Bluetooth* ska du växla till läge AUX och följa stegen i avsnittet "Använda *Bluetooth*".
- AVSTÄMNINGSRATTEN:** Vrid den analoga avstärningsratten till höger eller till vänster för att justera frekvensområdet för FM (övre halvan) eller AM (nedre halvan).
- STRÖMLAMPA:** När källreglaget inte står i av-läge lyser strömlampan alltid grön (förutom när alarmknappen är aktiverad).
- AVSTÄMNINGSINDIKATOR:** Lyser klarast när den bästa avstämningen har uppnåtts. En del AM-stationer tändes inte avstärningsindikatorn och bör avstämmas manuellt för bästa signal. Lampan kan vara tänd eller släckt i AUX-läget, beroende på AM-skalans läge.
- ALARM:** När du har ställt in väckningstiden med hjälp av hjulreglaget, tryck på den här knappen för att aktivera alarmet och den motsvarande gröna lampan tänds. Lampan lyser tills dess att alarmknappen stängs av. Lampan slocknar när du trycker ut alarmknappen och avaktiverar alarmet.
- SLEEP:** Vrid källreglaget till AM- eller FM-bandet, ställ in en radiostation som du vill somna till och justera volymen till önskad nivå. Tryck på knappen "Sleep" och den motsvarande lampan tänds. Radion stängs av automatiskt efter ungefär 20 minuter. Lampan lyser tills dess att Sleep-knappen har stängts av.
- HJULREGLAGE FÖR ALARM:** Vrid hjulreglaget av aluminium motsols tills alarmvisaren pekar på tiden då du vill bli väckt. **Vrid inte hjulreglaget medsols, då detta kan skada apparaten.**



9. **SNOOZE (PÅ OVANSIDAN AV ENHETEN):** När alarmer ringer, tryck, håll ned och släpp Snooze-knappen för att stänga av alarmer i ungefär 5 minuter. Efter 5 minuter slås alarmer på automatiskt igen. Du kan inte justera inställningen av snooze-intervallet.
10. **KLOCKA:** Den här analoga klockan drivs av en mycket finkänslig kvartsteknik, vilket ger suverän precision. Klockan drivs av ett AA-batteri, så eventuella strömavbrott påverkar inte klockan. Kontrollera batteriet varje år, så att klockan fortsätter att hålla tiden. Klockans belysning kan inte justeras eller stängas av. Det är helt normalt att det tar ett par sekunder för ljuset att slockna när strömförsörjningen kopplas från.

Viktigt! Eftersom hjulreglaget är analogt och har utformats för enkel användning kan alarmer ha en tidsavvikelse på upp till fem minuter. Till exempel: om alarmer är inställt på kl 10:00 kan det hända att det slår på kl 09:55 eller 10:05. Med hänsyn till detta rekommenderar vi att du ställer in alarmer att slå på lite tidigare än planerat första gången du använder det. När du har använt din Model Three BT under en tid kommer du att ha en bättre uppfattning om hur du måste ställa in alarmer för att det ska väcka dig vid rätt tid.

Funktioner (Bakpanelen)



1. **LJUDBALANS:** Om du har Stereo- eller Dual Alarm-högtalaren (säljs separat) ansluten, ställ in Mono/Stereo-reglaget på Stereo. Vrid balansreglaget uppåt för att höra den vänstra högtalaren (huvudenheten) eller neråt för att höra den högra högtalaren (stereohögtalaren). Om du ställer in balansreglaget i mitten fördelas ljudet jämnt mellan de två högtalarna.
2. **R SPR (HÖGER HÖGTALARE):** Anslut RCA-hankontakten från den högra Stereo- eller Dual Alarm-högtalaren (säljs separat) till den här ingången och ställ in Stereo/Mono-reglaget på Stereo. Om du ansluter en annan högtalare än Tivoli Audio Stereo eller Dual Alarm upphör garantin att gälla då detta kan skada din enhet.
3. **12 V, LIKSTRÖM:** Anslut den medföljande strömförsörjaren för växelström till den här ingången eller använd en strömförsörjare för likström som tillval. Anslut inte strömförsörjningen till ett vägguttag som kontrolleras med en strömbrytare eftersom alarmer inte kommer att fungera om strömbrytaren slås av. **Använd endast den strömförsörjning som följer med den här produkten.** Om de medföljande strömkablarna skadas eller försvinner, använd endast liknande ersättningskablar. Kontakten är 5,5/2,1 mm med positivt mittstift.

4. **FM-ANTENNBRYTARE:** Växlar mellan intern och extern FM-antenn. Denna brytare påverkar inte AM-mottagningen. I vissa fall kan FM-mottagningen förbättras när man sätter antennbrytaren på External.
5. **EXTERN FM-ANSLUTNING:** När du lyssnar på FM, beroende på vilket land du befinner dig i, ska du skjuta den medföljande trådentennen över denna FM-kontakt eller justera teleskopantennen och positionera den för bästa mottagning. På ställen med stark FM-signal, kan mottagningen bli bättre om antennen förkortas. När enheten inte används eller när du lyssnar på AM, håll antennen indragen för att skydda den. Denna antenn påverkar inte AM-mottagningen. För mer information se avsnittet "Mottagning".
6. **HÖRLURAR UT:** Anslut hörlurarna (medföljer ej) till denna variabla stereoutgång för privat lyssnande. Hörlurarna tystar huvudhögtalaren. Du justerar hörlurarnas volym med hjälp av volymratten. Denna stereoutgång accepterar en 3,5 mm stereo, minihankontakt. Undvik att använda hörlurar med hög volym för att undvika hörselskador.
7. **SUB OUT:** Anslut ljudkabeln från tillbehörs-bashögtalaren Tivoli Audio Model Subwoofer (eller annan kompatibel aktiv bashögtalare) till denna 3,5 mm stereoutgång.
8. **AUX IN:** För att lyssna på ljud från en annan anordning, t.ex. CD-spelare, MP3-spelare eller dator, ska du ansluta nämnda apparats ljudutgång till denna stereoutgång och växla källratten på framsidan till Aux. Den anslutna apparaten slås inte på när du växlar till Aux-läge. Denna stereoutgång accepterar en 3,5 mm stereo, minihankontakt. AUX IN-porten är inte tillgänglig när en *Bluetooth*-anordning är ansluten. Du måste först koppla från en *Bluetooth*-enhet innan du kan använda den inbyggda AUX IN-funktionen. OBS! Du måste möjligen justera volymen annorlunda för en hjälpanordning än när du justerar ljudvolymen för att lyssna på radio.
9. **REC OUT:** Du kan spela in från Model Three BT genom att ansluta en kassettbandspelares ljudingång (eller någon inspelningsanordning) till denna inbyggda stereoutgång. Du kan även använda Model Three BT som en högpresterande analog avstämningseenhet genom att ansluta den till ljudingången på en förstärkare eller integrerad förstärkare. Huvudhögtalaren tystas inte när du använder denna utgång. Denna utgång accepterar en 3,5 mm stereo, minihankontakt.
10. **MIX IN:** Anslut ljudutgången från en annan apparat, såsom t ex en dator, till denna ingång för att lyssna på dess ljud blandat med ljudet från FM- eller AM-mottagaren i din Model Three BT. I Aux-läget fungerar denna ingång som en till Aux-ingång. Denna ingång är anpassad för en vanlig 3,5 mm stereo teleplugg. Volymen kontrolleras av din andra apparat.
11. **MONO/STEREO:** Det här reglaget ska stå på Mono såvida inte Stereo- eller Dual Alarm-högtalaren (säljs separat) har kopplats i. Om så är fallet, ska reglaget ställas in på Stereo. Om du använder en extrahögtalare och har ställt in reglaget på Stereo kan du prova att byta läge till Mono när du lyssnar på radio, eftersom Mono-positionen ofta ger bättre ljud på FM-bandet. Utgångarna för hörlurar och inspelning är Stereo och påverkas inte av det här reglaget, såvida inte källreglaget har ställts in på AM (som alltid är Mono) eller FM och det här reglaget har ställts in på Mono.
12. **TIDINSTÄLLNING:** Tryck med lätt finger på den här knappen för att flytta fram visarna med små steg. Tryck och håll inne den här knappen för att kontinuerligt mata fram klockans visare. Släpp knappen när klockan är rätt inställd. Se till att alarmknappen är i av-läge när du ställer in tiden.
13. **ALARMGALLER:** Alarmljudet kommer från det här gallret. Täck inte för gallret.
14. **RESERVBATTERI:** Ta bort batteriluckan och installera ett nytt 1,5 V AA-batteri. Se till att polerna (+/-) sitter rätt. Klockan strömförsörjs av batteriet och batteriet fungerar även som reservbatteri. Om batteriet installerats på rätt sätt driver reservbatteriet både klockan och alarmets väckningssignal vid ett eventuellt strömavbrott, förutsatt att alarmknappen är påslagen. Under ett strömavbrott

förblir urtavlan släckt och för att spara på batteriet fungerar radion inte längre. Kontrollera batteriet varje år och byt ut det med ett 1,5 V alkaliskt AA-batteri. Byt ut batteriet om klockan slutar att fungera. Kassera förbrukade batterier enligt din/ditt kommuns/lands riktlinjer. Ta ur batteriet om Model Three BT ska magasineras och inte är tänkt att användas under överskådlig tid.

Bluetooth

Före parning ska du verifiera att din anordning stödjer *Bluetooth* 2.1+EDR A2DP och att anordningen inte är ansluten till någon annan *Bluetooth*-produkt. Anordningar kan paras på olika sätt. Nedan följer några allmänna riktlinjer.

1. Sätt Model Three BT i läge Aux. Detta slår på *Bluetooth*. Vrid volymen upp till ca 1/4 till att börja med. Du ska även öka volymen på källanordningen (från den anordning som du strömmar).
2. Slå på *Bluetooth*:s trådlösa teknik på din aktiverade anordning.
3. Välj "Tivoli *Bluetooth* (Not Paired)" när meddelandet visas på anordningens skärm för att börja söka. En del enheter kan be dig ange ett PIN-nummer. Om detta är fallet, ange "0000". "Tivoli *Bluetooth*" ändras från "Not Paired" (inte synkroniserad) till "Connected" (ansluten)
4. Du hör en rington från Model Three BT vilket bekräftar anslutningen och du kan börja spela dina musikfiler trådlöst. Justera volymen på din anordning. Du ska inte behöva para anordningen på nytt. **Beroende på din anordning, måste du möjligen göra flera försök att para och/eller ansluta anordningen till Model Three BT, men ge din anordning tillräckligt med tid för synkronisering eller anslutning innan du upprepar processen.**

Parning Av En iPhone/iPod Touch/iPad Som Är Aktiverad För Bluetooth-Trådlös Teknik

1. Sätt Model Three BT i läge Aux. Detta slår på *Bluetooth*. Vrid volymen upp till ca 1/4 till att börja med. Du ska även öka volymen på källanordningen (från den anordning som du strömmar).
2. Välj "Settings" (inställningar) (beroende på din enhets programversion).
3. Välj "General" (allmänt).
4. Välj "*Bluetooth*".
5. Växla *Bluetooth* till "On" (på) för att börja söka.
6. Välj "Tivoli *Bluetooth* (Not Paired)" när meddelandet visas på skärmen. Om du uppmanas ange ett PIN-nummer, ange "0000". "Tivoli *Bluetooth*" ändras från "Not Paired" (inte synkroniserad) till "Connected" (ansluten).
7. Du hör en rington från Model Three BT och du kan börja spela dina musikfiler trådlöst. Justera volymen på din anordning. Du ska inte behöva synkronisera din iPhone/iPod/iPad på nytt.

Musikfilernas ljudvolym ut varierar. Om du föredrar en högre uteffekt, ska du kolla inställningarna på din iPhone/iPod touch/iPad: Gör följande inställningar: EQ Off (av), SoundCheck Off (ljudkontroll av) och Volume limit Off (volymgräns av).

Om du får problem under synkroniseringen ska du trycka på den lilla pilen till höger om "Tivoli *Bluetooth*" på skärmen på din iPhone/iPod touch/iPad och välja "Forget this Device" (glöm denna anordningen) och sedan upprepa synkroniserings-processen. **Beroende på din anordning, måste du möjligen göra flera försök att synkronisera och/eller ansluta anordningen till Model Three BT, men ge din anordning tillräckligt med tid för synkronisering eller anslutning innan du upprepar processen.**

När du strömmar musik kan du trycka på den blåa pilen till höger om nästa spårknapp >>/ på skärmen på iPhone/iPod touch/iPad för att växla mellan iPhone/iPod/iPad och *Bluetooth*.

VIKTIGT:

- Model Three BT kan komma ihåg synkroniseringsdata för upp till 8 enheter. Ytterligare anordningar kan tilläggas, men endast den sist använda enheten ersätts av en nyligen synkroniserad enhet.
- Om ljudet försvinner eller stoppar under uppspelningen ska du flytta anordningen närmare Model Three BT eller kontrollera att en annan trådlös enhet inte stör signalen.
- När du växlar från *Bluetooth* till AM eller FM, måste du möjligen omjustera (sänka) radiens ljudvolym.

Mottagning

De interna FM- och AM-antennerna ger bra mottagning. För AM-bandet, vrid radion för att hitta bästa möjliga mottagning. En trådlös AM-antenn (tillval) kan ge bättre mottagning på AM-bandet.

Byggnader med ytterväggar av betong, stål eller aluminium påverkar mottagningen. Hushållsutrustning, elektriska värmefiltar, datorer, CD-spelare och annan elektronisk anordningar kan störa mottagningen eller producera brus. Om detta händer ska du flytta Model Three BT längre bort från den störande anordningen eller ansluta radion till ett uttag som inte delas med andra enheter. Metallytor kan också påverka AM- mottagning.

Placering

Placera enheten på ett plant, stabilt underlag. Placering på bokhylla, i skåp eller nära en vägg eller ett hörn kan påverka basen.

Rengöring

Använd aldrig starka rengörings- eller lösningsmedel på radion. Undvik vax som sprejas på. Dra ut stickkontakten på Model Three BT innan du rengör den. Framsidan kan rengöras med en något fuktig, mjuk duk. Garantin ogiltigförklaras om du målar eller betsar apparatlådan av trä.

OBS! Tivoli-apparatlådor byggs av faner. Eftersom naturligt trä varierar i utseende är det inte möjligt att uppnå exakt träfärgs-/fibreriktning matchning mellan modeller. Du kan även notera att träet blir mörkare med tiden efter exponering för solljus. Detta är också naturligt för naturligt trä.

Det är möjligen även av färgat faner, t.ex. blått, rött etc., och kan blekas vid exponering för solljus. Det omfattas inte av garantin.

Begränsad Garanti

Tivoli Audio tillverkar sina produkter enligt hög standard och vi är säkra på att våra produkter fungerar bra. Därför ger vi den ursprungliga ägaren en begränsad garanti på denna produkt mot tillverkningsdefekter i material och utförande. Denna garanti kan inte överföras.

Produkter som köps i den Europeiska unionen och i Norge har en minsta garantiperiod på två år. I länder där den kortaste garantiperioden bestäms i lag, är garantiperioden baserad på gällande lag. I andra länder är garantiperioden ett år.

Denna begränsade garanti omfattar produktens funktionalitet för dess normala, avsedda bruk enligt specifikationerna i denna användarhandbok. Den omfattar inte felfunktion eller skada som resulterar från felaktig eller orimlig användning eller installation, användning av laddare för att ladda alkaliska batterier, defekt hjälputrustning, modifieringar, oauktoriserad reparation, transportskada eller-förlust, vanvård, olyckor, användning av fel spänning/ström, strömstötår, blix eller force majeure, hög fukt, normalt slitage, kommersiellt bruk eller köp från en icke auktoriserad återförsäljare. Garantiservice måste du eventuellt visa ett inköpskvitto som bevis på att enheten köptes från en auktoriserade återförsäljare.

Kontakta återförsäljaren eller den lokala distributören för garantiservice eller- reparation.

Öppna eller demontera inte produkten eftersom detta kan leda till att garantin ogiltigförklaras. Produkten har inga invändiga delar som kan repareras av användaren. Tivoli Audio betalar inte ersättning för kostnader som uppstår på grund av åtgärdande av mottagningsproblem, eliminering av externt genererat brus, förlust av tid, olägenhet, förlust av användning av produkten eller skada som uppstått på grund av felaktig användning.

Om produkten returneras under garantiperioden och kvalificeras för service under denna begränsade garanti, ska vi reparera eller byta ut eventuella defekta delar gratis och inom en rimlig tid.

DENNA BEGRÄNSADE GARANTI GER DIG SPECIFIKA LAGLIGA RÄTTIGHETER PÅ VISSA SPECIFICERADE VILLKOR. DU KAN ÄVEN HA ANDRA LAGLIGA RÄTTIGHETER VILKA GÄLLER PRODUKTEN DU KÖPT. DESSA LAGLIGA RÄTTIGHETER VARIERAR FRÅN LAND TILL LAND. EN DEL LÄNDER TILLÅTER INTE TILLÅTER FRISKRIVNINGAR, RESTRIKTIONER ELLER MODIFIERINGAR AV VISSA UNDERFÖRSTÅDDA RÄTTIGHETER OCH DERAS FÖLJDER. I DESSA SITUATION GÄLLER DENNA BEGRÄNSADE GARANTI ENDAST I DEN UTSTRÄCKNING SOM MEDGES AV GÄLLANDE LAG..

Lagarna i ditt land kan ge dig rätt till lagliga krav mot försäljaren eller tillverkaren av denna produkt. Denna begränsade garanti påverkar inte dessa rättigheter.

Stipulationerna i den begränsade garantin gäller i stället för alla andra garantier eller villkor, förutom villkor enligt gällande lag. Denna begränsade garanti påverkar inte några lagenliga rättigheter och utgör inget hinder för gottgörelse enligt gällande lag.

I länder där ansvarsbegränsningar inte förbjuds av gällande lag, skall Tivoli Audios maximala ansvar inte överstiga priset du betalde för produkten. I länder där ansvarsbegränsningar inte tillåts av gällande lag, skall Tivoli Audios skyldighet inte överstiga de direkta skadestånden för personskada och/eller egendomsskada som uppstått på grund av Tivoli Audios försumlighet.

När detta inte förbjuds av gällande lag skall Tivoli Audio inte hållas ansvarig för specialskada, tillfällig skada, följdskada eller indirekt skada. En del länder tillåter inte inskränkningar avseende uteslutning eller begränsning av upprättelse, skadestånd för specialsador, tillfälliga skador, följdskador och

indirekta skador, eller begränsning av skadeståndsskyldighet till ett visst belopp, så ovanstående begränsningar och utslutningar gäller eventuellt inte dig.

Denna begränsade garanti ogiltigförklaras om skylten med serienumret har avlägsnats eller förstörts.

Om du köpte ett utökad servicekontrakt från återförsäljaren och service krävs efter det denna begränsade garanti har utgått, skall du kontakta parten som utfärdade det utökade servicekontraktet för att erhålla service.

Du kan registrera din produkt för garantiservice online på vår webbplats www.tivoliaudio.com. Du har inga lagliga krav att ge oss personlig information. Sådan information ger oss emellertid möjlighet att spara information om Tivoli Audio-produkter du köpt och att få närmare insikt om köparna av våra produkter. Denna information insamlas för att användas i marknadsföringssyfte av Tivoli Audio och, där det tillåts, för att kontakta dig avseende produkterna du köpt eller andra produkter som kan vara av intresse för dig från Tivoli Audio och andra företag. Informationen du tillhandahåller kan behandlas i ett annat land.

Specifikationer

Modell:	Tivoli Audio Model Three BT
Typ:	Kvartsdriven analog klockradio (AM/FM) med trådlös <i>Bluetooth</i> -teknik
Sändare:	En 76,2 mm (3") sändare med full räckvidd, videoavskärmd
Strömförsörjning:	M3-PS, 12 V (likström), 1.5 A, 120 V - 60 Hz (UL); 230 V - 50 Hz (CE)
Klockbatteri:	AA/UM-3 alkaliskt 1,5 V-batteri
Mått:	21,3 cm B x 11,4 cm H x 13,3 cm D (8,375" B x 4,5" H x 5,25" D)
Vikt:	1,70 kg (3,75 lb)

Specifikationerna kan ändras utan föregående varsel.

Tivoli Audio förbehåller sig rätten att göra produktändring utan föregående varsel.

Tivoli Audio, Tivoli Audios logotyp och Model Three är varumärken som tillhör Tivoli Audio, LLC. *Bluetooth* ordmärket och logotypen är registrerade varumärken som tillhör Bluetooth SIG, Inc. och all användning av sådana märken av Tivoli Audio är under licens. iPod, iPod touch, iPhone och iPad är varumärken som tillhör Apple Inc., registrerade i USA och andra länder. Andra varumärken och handelsnamn tillhör sina respektive ägare.



DECLARATION OF CONFORMITY

Application of Council Directive(s): EMC Directive 89/336/EEC and 73/72 for CE Marking Standard(s) to which conformity is declared

EN301-489-17 v2.21 (2012)
EN301-489-1 v1.9.2 (2011)
EN55013/A2 (2006)
EN55020 (2007)
EN6100-3-2/A2 (2009)
EN61000-3-3 (2008)

Safety

EN60065(2002)/A1(2002)/IEC60065 Ed7

Energy 2005/32/EC

1275 Standby/Off Energy Usage(2008)

Manufacture/Applicant Name: Tivoli Audio, LLC
Manufacturer's Address: 70 Fargo St., Suite 900, Boston, MA 02210 USA

Type of Equipment: AM/FM Radio w/ Bluetooth

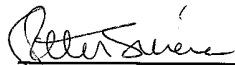
Manufacture's Model Code: M3BT followed by the Color Code, such as M3BTCLA for Classic Walnut

Importers Brand Name: Tivoli Audio Model Three BT
Importers Model Code: Same as Manufacturers Code

Year of Manufacture: 2013

I, the undersigned, hereby declare the equipment specified above is manufactured by our company, Tivoli Audio LLC, and confirmed by above Directive(s) and Standard(s).

Date: February 14, 2014


Authorized Signature

Peter Skiera
Authorized Name

Senior Product Manager
Position

TIVOLI AUDIO, LLC

This manual was written by Peter Skiera and cannot be reproduced in whole or in part without the permission of Tivoli Audio. The information included within this owner's manual was accurate at the time of printing. Tivoli Audio shall not be held liable for operational, technical, or editorial errors/omissions.

For more information about other exciting products from Tivoli Audio, please visit our website or contact us directly (in English):

Tivoli Audio, LLC
Seaport Center
70 Fargo Street, Suite 900
Boston, MA 02210 USA
1.877.297.9479 (US only)
1.617.345.0066
www.tivoliaudio.com
help@tivoliaudio.com

M3BTCE030314

Tivoli Audio™