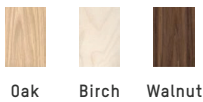


# Butterfly




Available colors  
and materials



TUNTO DESIGN  
Tekijänkatu 8, FI-04440 Järvenpää, Finland  
Tel. +358 10 421 3000  
mail@tunto.com

**TUNTO** **Butterfly**


 This luminaire contains built-in LED lamps.

**A++**  
**A+**  
**A**  
**B**  
**C**  
**D**  
**E**

**LED**

The lamps cannot be changed in the luminaire.

2800 Kelvin  
20 000 h

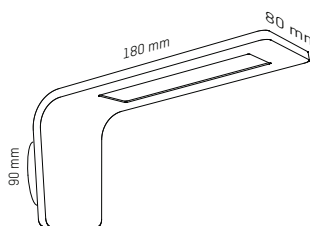
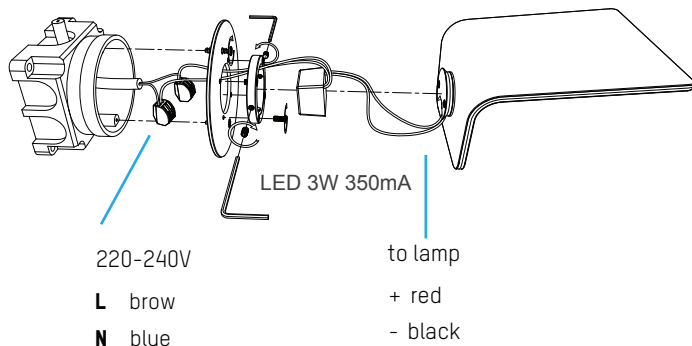
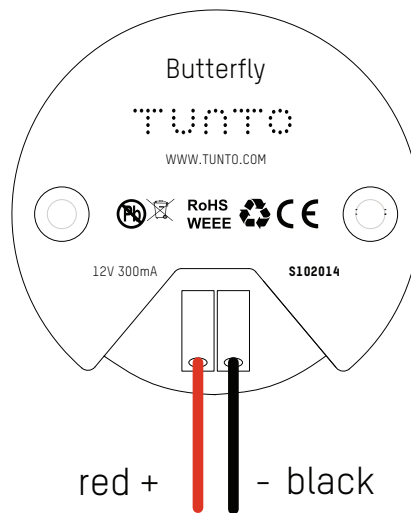
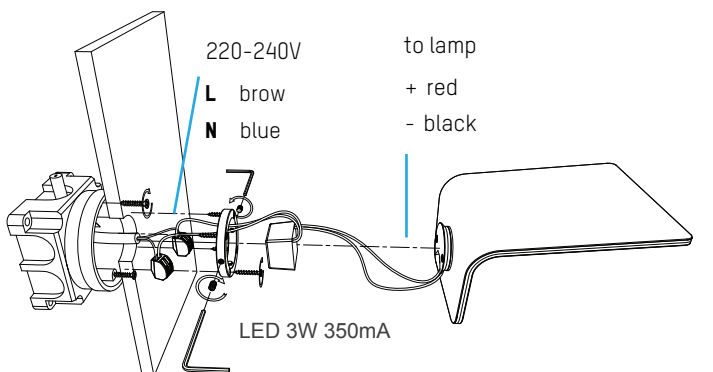


**874/2012**

## Assembly options

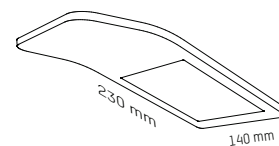
### Driver / inside the electric mounting box

For more specific instructions see the following driver data sheet.

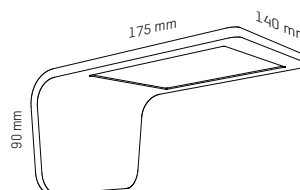
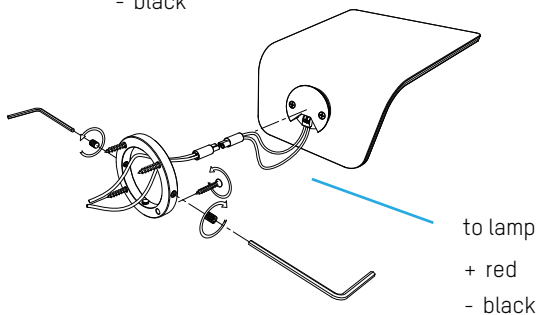
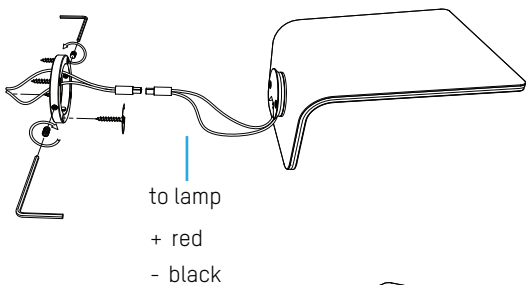


Butterfly 01  
 12V 100mA  
 3000 K  
 70 lm

### Driver / External



Butterfly 02  
 12V 300mA  
 3000 K  
 170 lm



Butterfly 02  
 12V 300mA  
 3000 K  
 170 lm

**Install in accordance with national and local electrical codes.  
All installation works must be performed with professional personnel.**



## Lightech™ LED Driver

**66863**

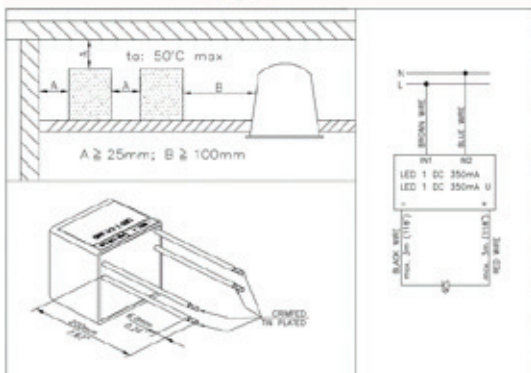
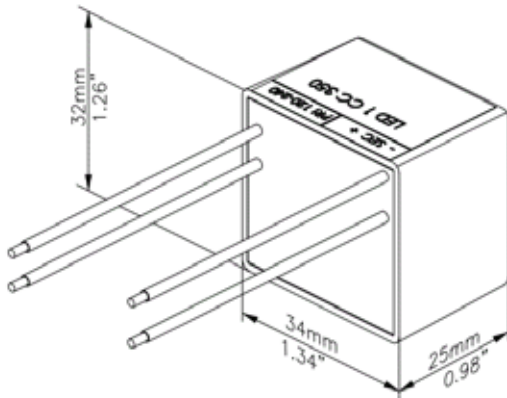
**LED 3W 350mA**

901001350EP

LED 3 DC 350mA Plastic Housing, Potted, Leads Converter (USA Version)

Current: DC

Availability: A



### Specs

Power:	2.8 W
Life:	50000 hrs

### Input specs

Inrush current limiter:	true
Power factor:	0.4
Input current:	0.03-0.05 A
Input frequency:	0/50/60 Hz
Input voltage:	100.0-240.0 V
Efficiency:	55 %

### Output specs

Output current:	350 mA
Output voltage range:	3-10 V

### Protections

Over temperature protection:	true
Reinforced insulation:	true
Input voltage surge protection:	true
Secondary protection:	false

### Environment

Ta min:	-25.0 °C
IP :	67
Ta max:	50.0 °C
Tc:	70.0 °C
IP67 certification:	yes
Storage temp.:	-10...70 °C

### Standards

VDE EMC:	n/a
UL:	E322460
VDE Safety:	Yes
ENEC:	10
FCC Class:	Class B
Class II:	true

### Mechanical

Potted:	true
Case color:	black
Output wire size (mm <sup>2</sup> ):	0.75 mm <sup>2</sup>
Weight:	0.0482 kg
Input wire size (mm <sup>2</sup> ):	0.75 mm <sup>2</sup>
Output wire color:	black/red
Casing width:	34 mm
Casing length:	32 mm
Case material:	Plastic
Input wires color:	blue/brown
Casing height:	25 mm

**INDOOR USE ONLY**

**NON-USER REPLACEABLE LIGHT SOURCE**

IP20

