

LED<sub>28</sub>






LED<sub>28</sub> provides sophisticated illumination for all kinds of spaces.

It is ideal for any interior where there is need for efficient lighting and classic minimalistic design.

Choose from three thin, versatile models with multiple size options. Available in walnut, oak and ash, perfected with an elegant organic oil wax finish.

The Fix model gives a forward-facing light and can be easily and subtly attached to a wall or ceiling. Available in four different lengths.

### LED<sub>28</sub> FIX

1200 mm	25 w	
1000 mm	21 w	
800 mm	17 w	
600 mm	12 w	
walnut, oak, ash		

# LED<sub>28</sub>

FIX MODELS



LED<sub>28</sub>

The Pendant model offers three different lengths, providing plenty of variations for lighting different interiors.

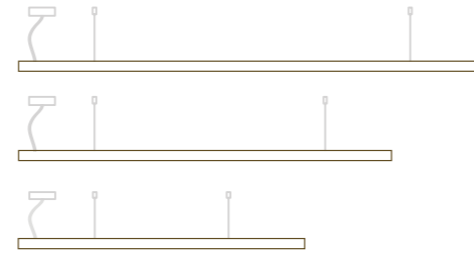
**LED<sub>28</sub> PENDANT**

1200 mm 25 w

1000 mm 21 w

800 mm 17 w

walnut, oak, ash



**DOWN** 28

**LED<sub>28</sub>**  
PENDANT MODELS



The Side and Center models feature two different installation models with corian holders. Choose from three different lengths and forward or downward-facing light.

Installation on the wall or to the ceiling. The holders fit into a regular 75 or 92 mm enclosure. If a deeper enclosure is used, the power supply can be fitted into the enclosure as well. Otherwise the power supply must be installed at a maximum of 3 m from the lamp into the wall, ceiling or to a specific location.

**LED<sub>28</sub> SIDE**

1000 mm	21 w	
800 mm	17 w	
600 mm	12 w	
walnut, oak, ash		<b>FRONT</b> <b>DOWN</b>

**LED<sub>28</sub> CENTER**

1000 mm	21 w	
800 mm	17 w	
600 mm	12 w	
walnut, oak, ash		<b>FRONT</b> <b>DOWN</b>

**LED<sub>28</sub>**  
SIDE AND CENTER MODELS



LED<sub>28</sub>

# LED<sub>28</sub>

TECHNICAL SPECIFICATIONS



## FIX MODELS ASSEMBLY

Attach the steel holder to the wall or ceiling. Connect the power source cables to the lamp's connectors. Place and level the lamp on the steel holder and tighten screws.



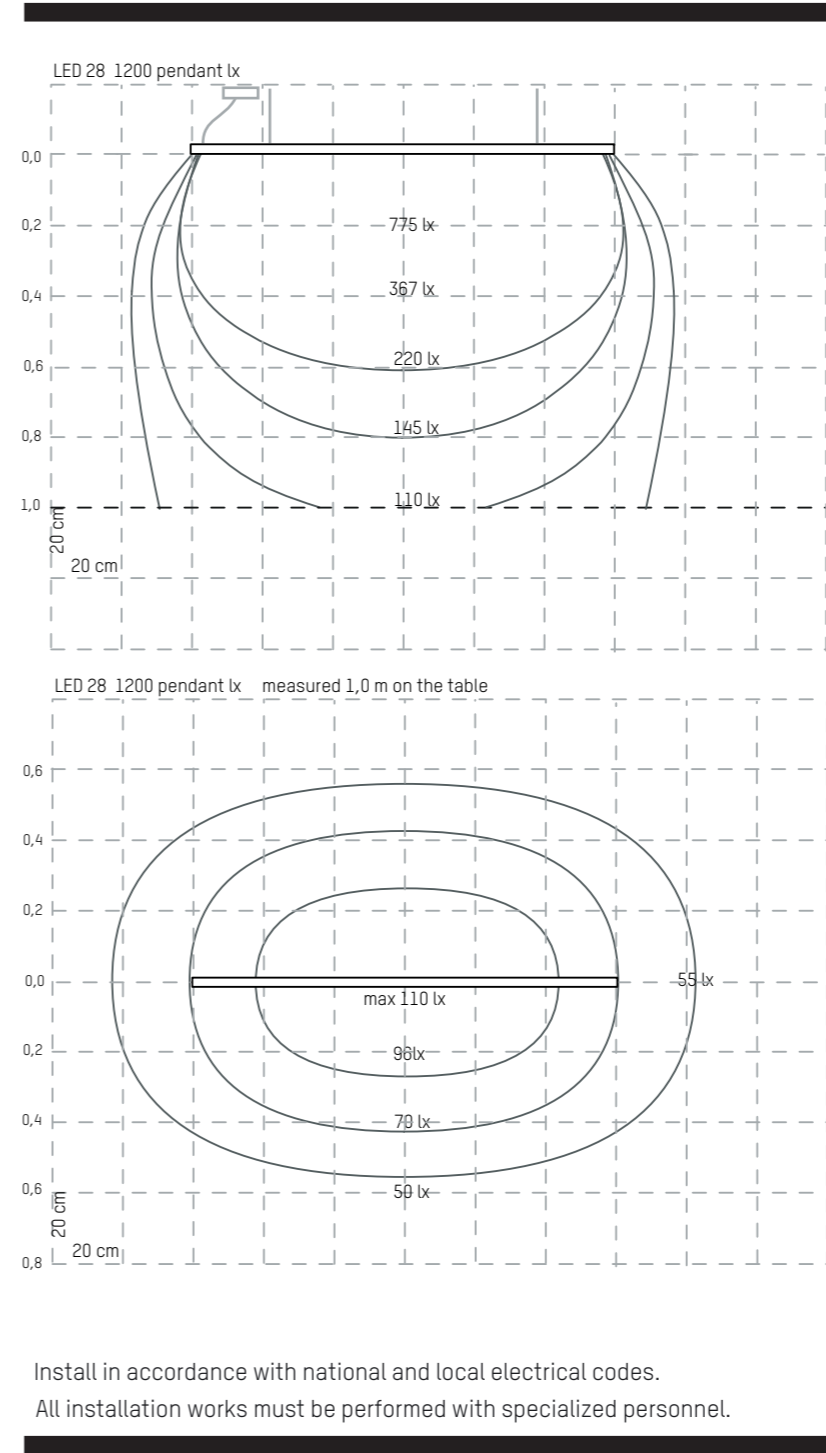
## SIDE AND CENTER MODELS ASSEMBLY

Insert the lamp's attachment pegs into the holes in the corian holder. Tighten screws.

# LED<sub>28</sub>

TECHNICAL SPECIFICATIONS

<b>RATED POWER</b>	12-36 W
<b>VOLTAGE</b>	220 240 V 50/60 Hz
<b>OUTPUT</b>	18-38 V 700 mA
<b>CORD LENGTH</b>	Standard 2 m, on request max. 3 m, transparent
<b>POWER SUPPLY</b>	Lichtech, Trailing edge dimmable
<b>POWER BOX</b>	White ceiling cup RAL 9016
<b>KELVIN</b>	3000 K
<b>LUMEN</b>	600 mm / 340 lm, 800 mm / 450 lm 1000 mm / 560 lm, 1200 mm / 670 lm
<b>PACKAGE SIZE</b>	100 x 1150 x 1020-1620 mm
<b>PACKAGE WEIGHT</b>	1,3-2 kg
<b>ASSEMBLY</b>	Easy, adjustable installation.  The plastic-covered wire is 1,5 mm thick with a maximum length of 3 m.  The lamps can be serial connected, making it possible to power several lamps with one power supply.
<b>AVAILABLE MATERIALS</b>	Walnut , oak, ash
<b>SURFACE FINISH</b>	Oil vax
	
<b>INDOOR USE ONLY</b>	



Install in accordance with national and local electrical codes.  
All installation works must be performed with specialized personnel.

