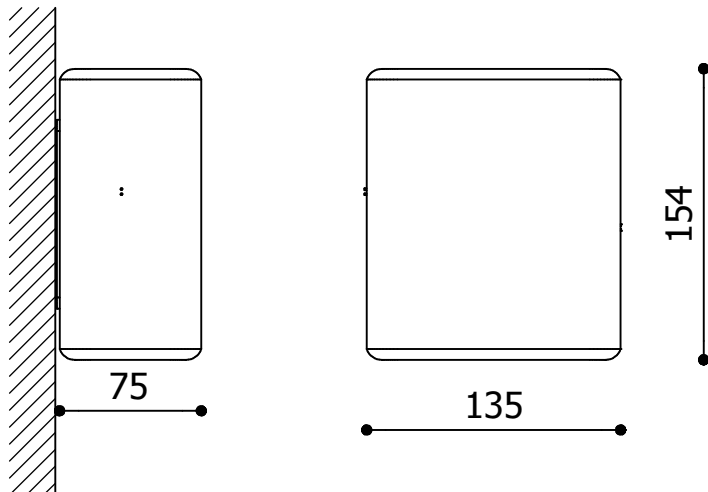
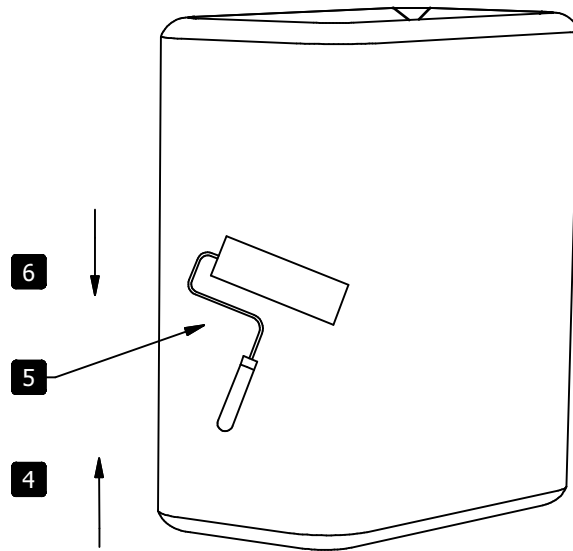


Assembly Doctor for PAINT-IT Wall (Incl.Driver)

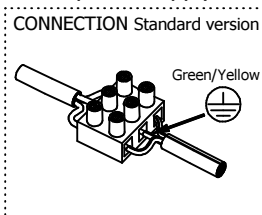
Design by Nuuv for DARK



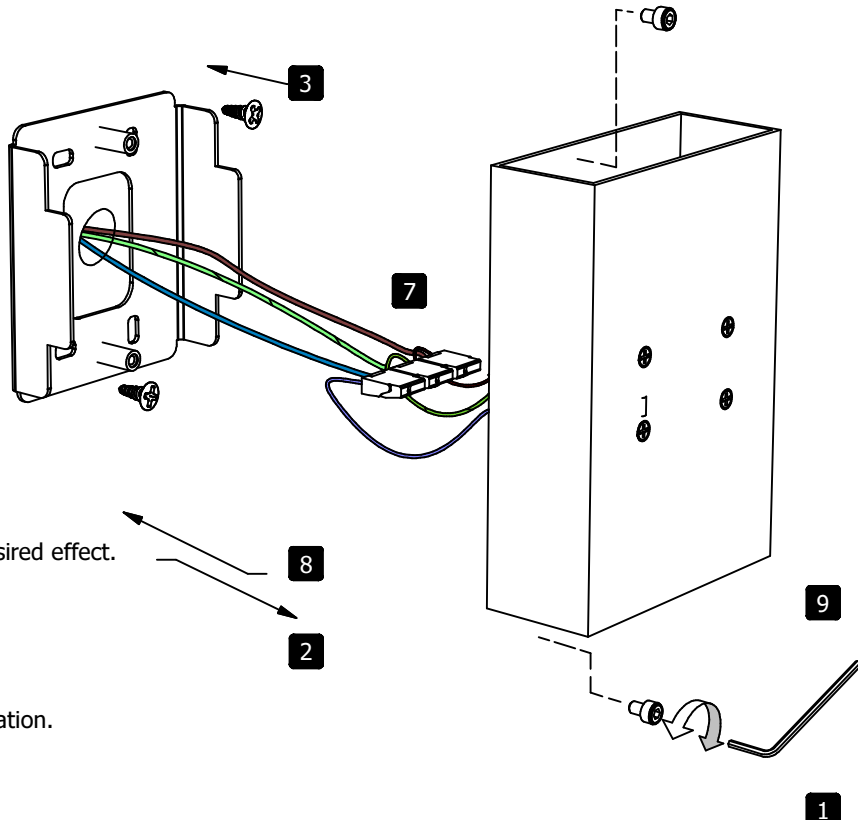
1. Unscrew the 2 Allen screws.
2. Remove the wall bracket from the luminaire.
3. Attach the wall bracket to the wall using 2 screws.
4. Slide the LED unit out of the paintable housing.
5. Paint the housing.
6. Slide the LED unit back into the paintable housing.



7. Connect the power supply.



8. Place the luminaire on the wall bracket.
9. Fixate the luminaire with the 2 Allen screws.



PAINTING

The housing is ready to be painted (primed).
Use lacquer, wall paint or a spray-can to obtain the desired effect.

IMPORTANT NOTICE

- To avoid permanent damage to the LED:
- The power supply must be switched off during installation.
 - Do not touch the LED.



Dark at night
Vliegplein 43 - 9991 Maldegem
Belgium - Europe

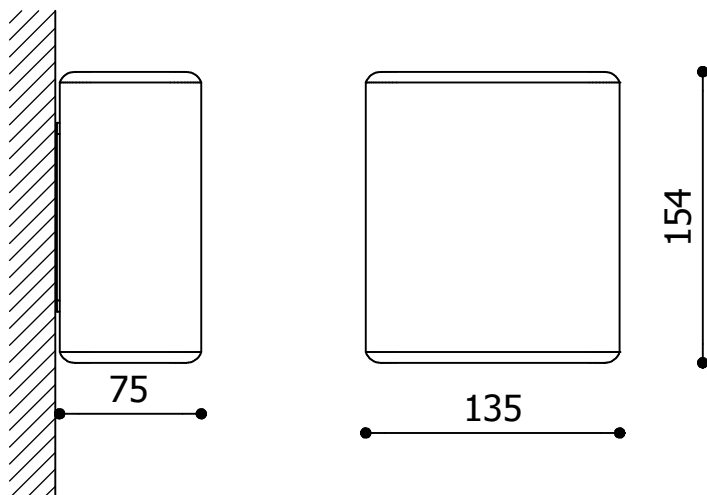
tel +32(0)50/71.81.40
fax +32(0)50/71.81.38
mail info@dark.be

LED	2x6 Watt	950 Lm	2700 K 3000 K 4000 K	>85 CRI
-----	----------	--------	----------------------------	---------

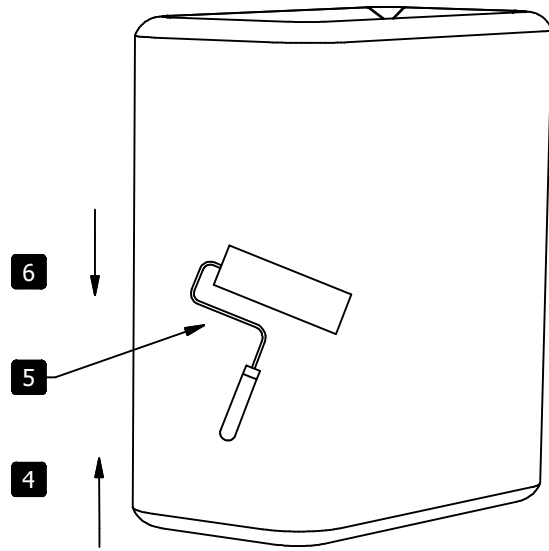
230 V				
		960 °C		

Assembly Doctor for PAINT-IT Wall (Excl.Driver)

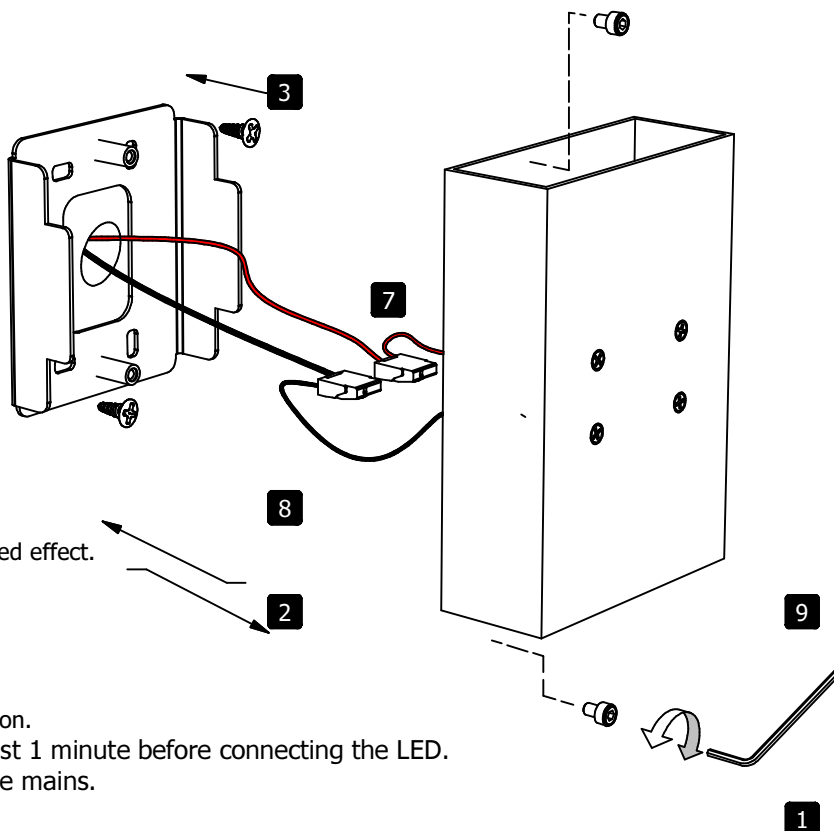
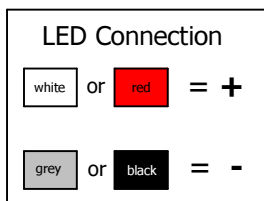
Design by Nuuv for DARK



1. Unscrew the 2 Allen screws.
2. Remove the wall bracket from the luminaire.
3. Attach the wall bracket to the wall using 2 screws.
4. Slide the LED unit out of the paintable housing.
5. Paint the housing.
6. Slide the LED unit back into the paintable housing.
7. Connect the 700mA-circuit to the LED.



8. Place the luminaire on the wall bracket.
9. Fixate the luminaire with the 2 Allen screws.



PAINTING

The housing is ready to be painted (primed).
Use lacquer, wall paint or a spray-can to obtain the desired effect.

IMPORTANT NOTICE

- To avoid permanent damage to the LED:
- The power supply must be switched off during installation.
 - Ensure the driver has not been powered for at least 1 minute before connecting the LED.
 - Connect the LED side first, secondly the side of the mains.
 - Do not touch the LED.



LED	2x6 Watt	950 Lm	2700 K 3000 K 4000 K	>85 CRI
-----	----------	--------	----------------------------	---------



Dark at night
Vliegplein 43 - 9991 Maldegem
Belgium - Europe

tel +32(0)50/71.81.40
fax +32(0)50/71.81.38
mail info@dark.be

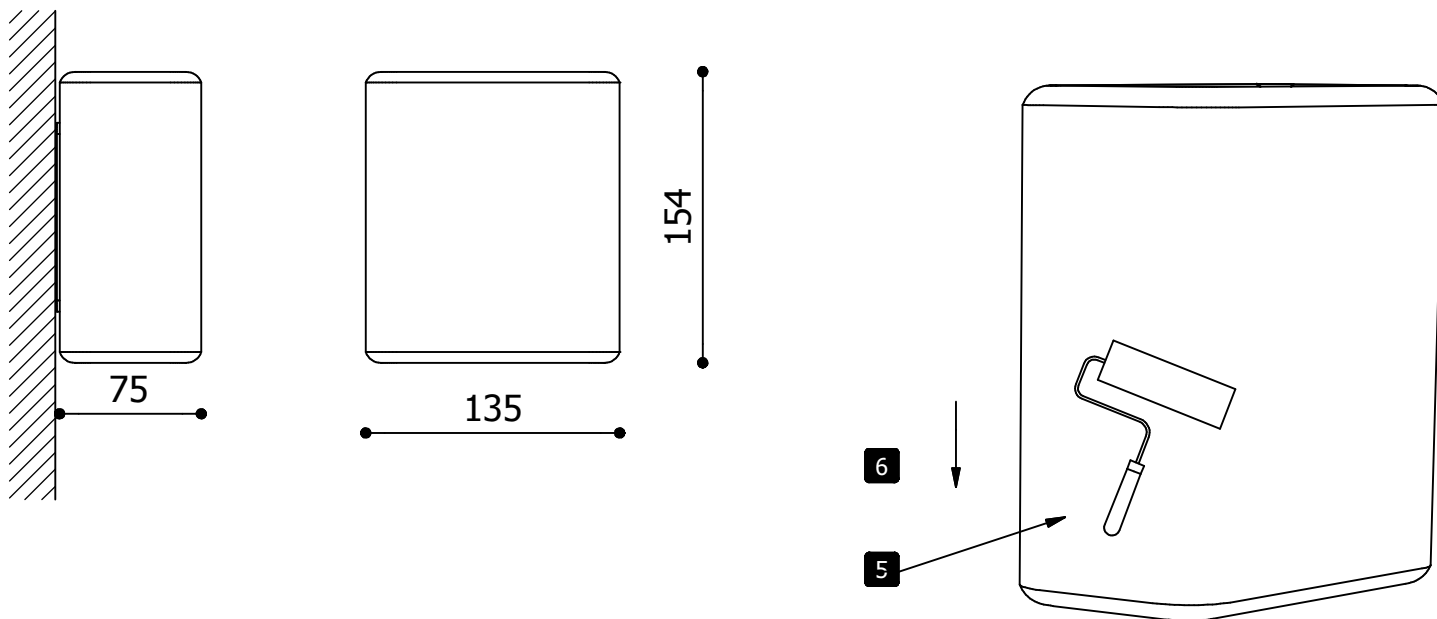
Remote driver possibilities:

NO DIM	PWM	DALI	1 ... 10V
--------	-----	------	-----------

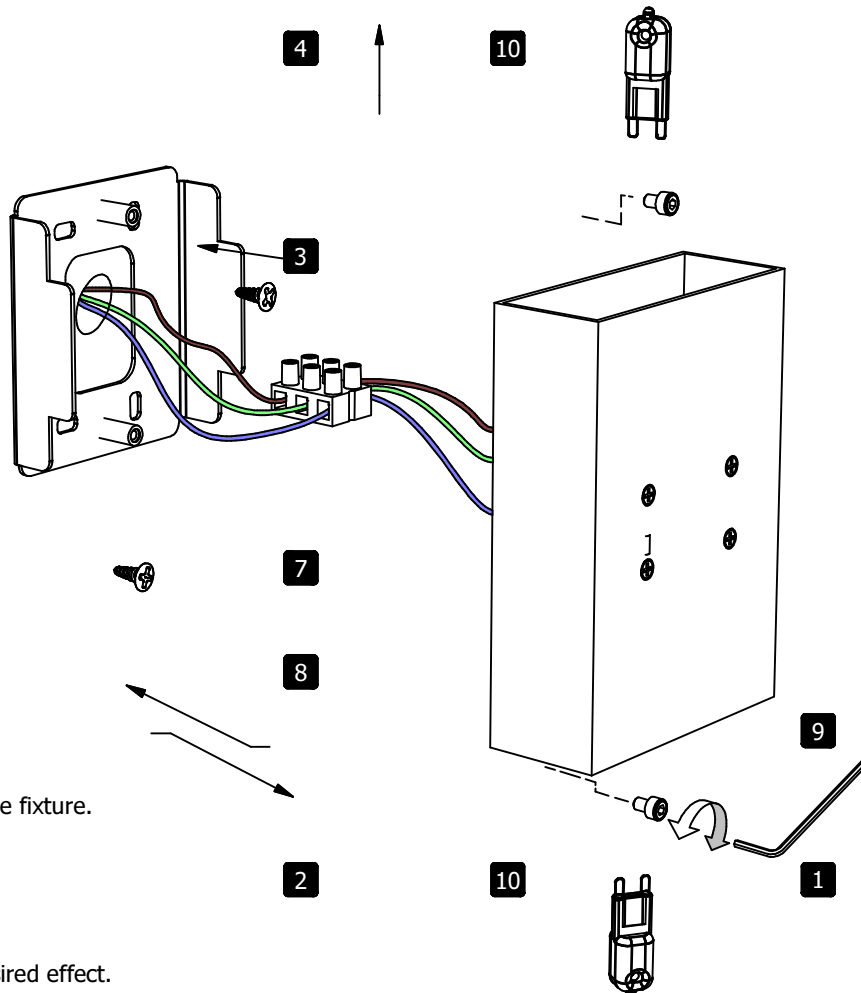
700 mA	19V Vf	III	IP 20
EXCL DRIVER	960°C	NO UV/IR	

Assembly Doctor for PAINT-IT Wall 2x25W G9

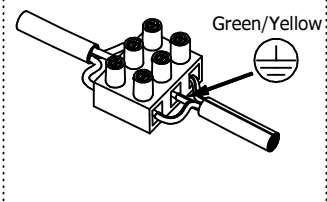
Design by Nuuv for DARK



1. Unscrew the 2 Allen screws.
2. Remove the wall bracket from the luminaire.
3. Attach the wall bracket to the wall using 2 screws.
4. Slide the lamp unit out of the paintable housing.
5. Paint the housing.
6. Slide the lamp unit back into the paintable housing.
7. Connect connect the powersupply.



CONNECTION Standard version



8. Place the luminaire on the wall bracket.
9. Fixate the luminaire with the 2 Allen screws.
10. Place 2 lamps. Respect the maximum wattage of the fixture.

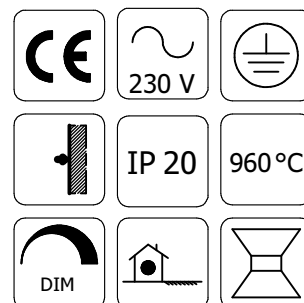
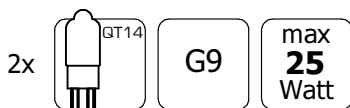
PAINTING

The housing is ready to be painted (primed).
Use lacquer, wall paint or a spray-can to obtain the desired effect.



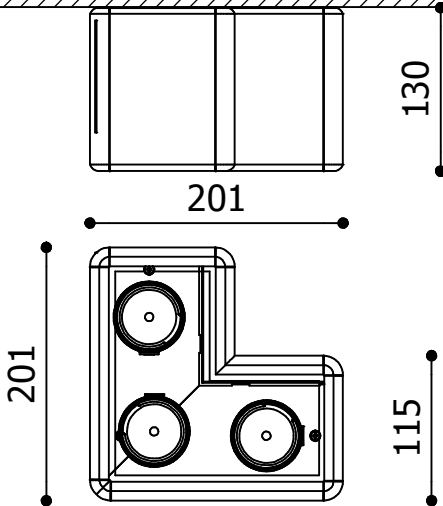
Dark at night
Vliegplein 43 - 9991 Maldegem
Belgium - Europe

tel +32(0)50/71.81.40
fax +32(0)50/71.81.38
mail info@dark.be



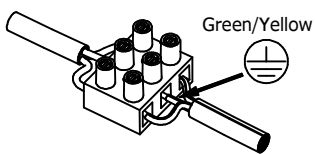
Assembly doctor for PAINT-IT 3x QPAR51/GU-10 50W

Design by NUUV for DARK



1. Unlock the 3 screws (1/4-turn) of the lamp unit.
2. Remove the lamp unit from the paintable housing.
3. Paint the housing. (If needed: unmount the top bracket before painting.)
4. Connect the female connector to the powersupply.

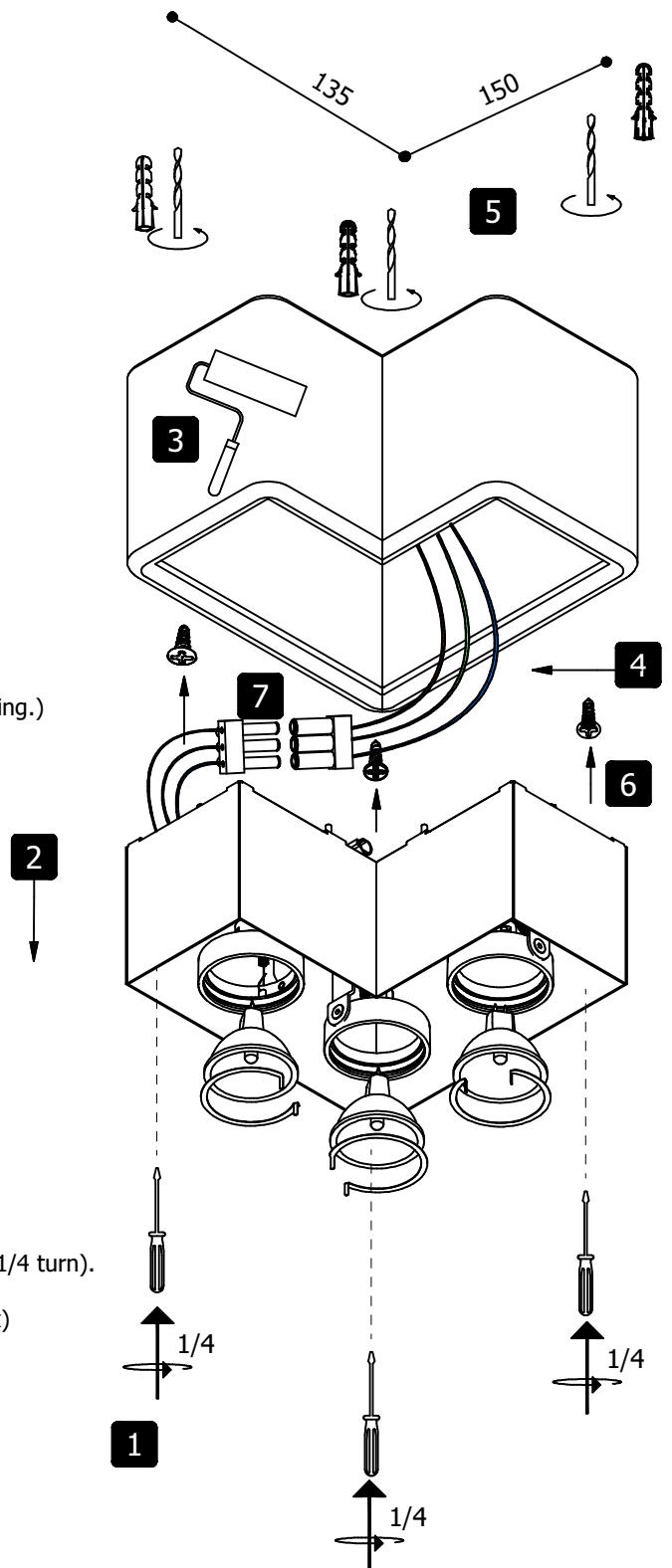
CONNECTION Standard version



5. Drill 3 holes.
6. Fixate the housing to the ceiling using 3 screws.
7. Connect the male and female connector.
8. Insert the lamp unit into to the housing and lock with the 3 screws (1/4 turn).
9. Insert a lamp into the lamp ring. Respect the maximum wattage. (3x)
10. Fixate the lamp with the lamp spring. (3x)

PAINING

The housing is ready to be painted (primed).
Use lacquer, wall paint or a spray-can to obtain the desired effect.



DARK <<
www.dark.be

Dark at night
Vliegplein 43 - 9991 Maldegem
Belgium - Europe

tel +32(0)50/71.81.40
fax +32(0)50/71.81.38
mail info@dark.be

