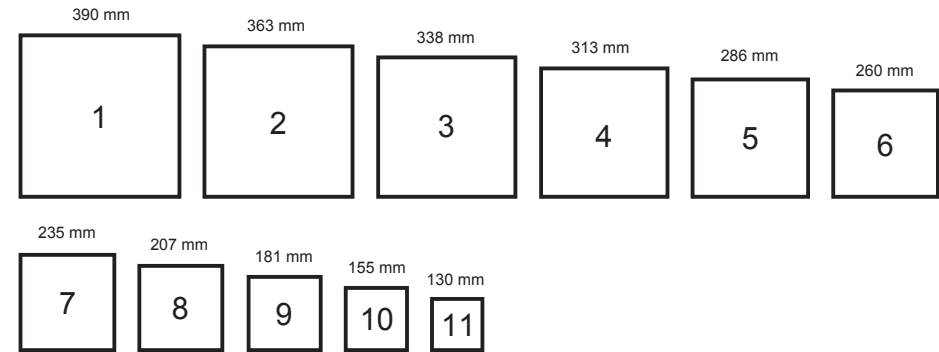


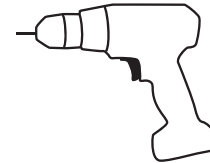
How to mount the

BABUSHKA BOXES



You need:

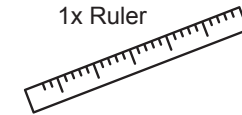
1x Drill



1x Level



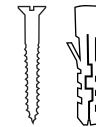
1x Ruler



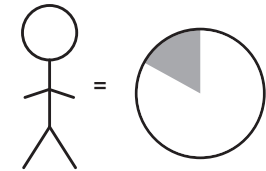
1x Pencil



22x Screws and anchors.
You have to use what
is suitable for your wall

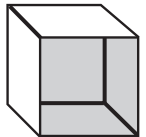


1x Human



- 1) Decide how you would like to arrange the Babushka Boxes on the wall. You can use one of our cluster designs or make your own by arranging them on the floor first.
- 2) Place the box from the bottom of the cluster on the wall, place a level on the box.
- 3) Mark the top and sides of the box using a pencil.
- 4) Draw a new line 10cm under the top line.
- 5) Place the cleat on this bottom line, 2,5cm from the side lines.
- 6) Make a mark in the holes.
- 7) Drill holes on the marks and insert the suitable anchors.
- 8) Mount the cleat on the wall and mount the box on the cleat.
- 9) Place a new box on the mounted box and repeat the steps. (From step 3)

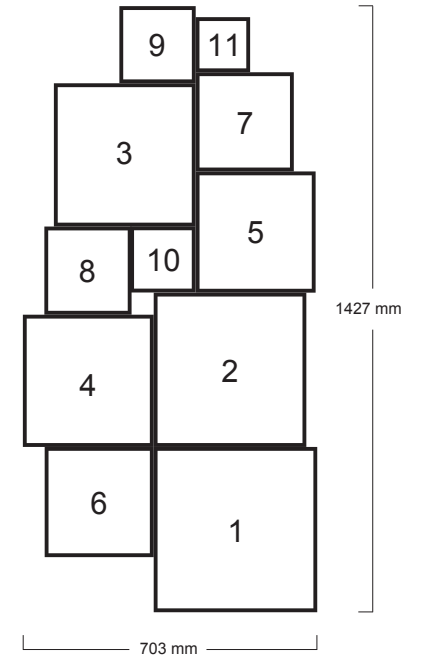
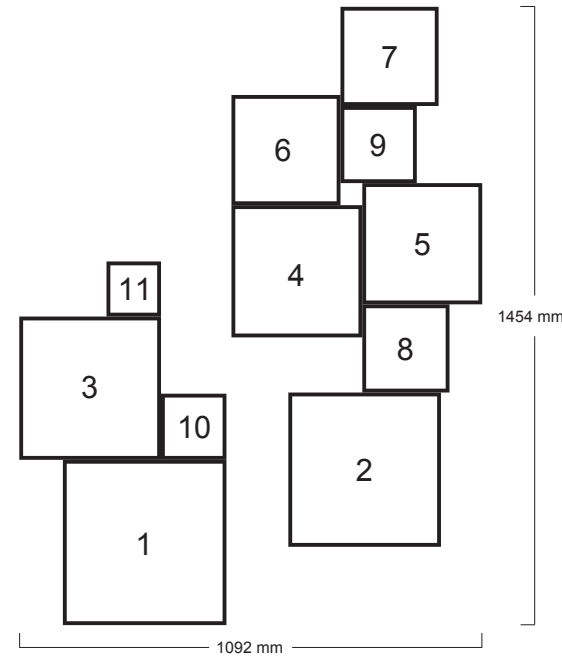
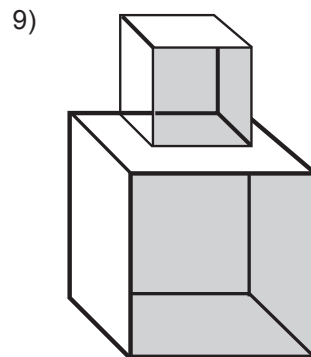
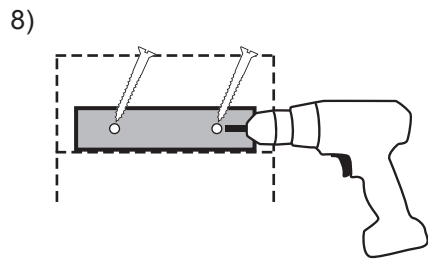
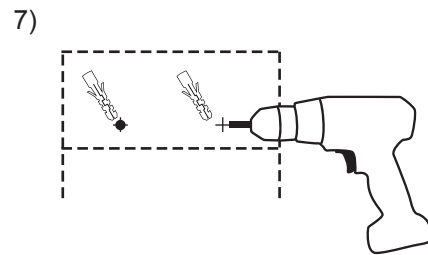
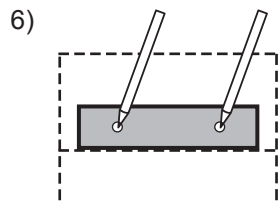
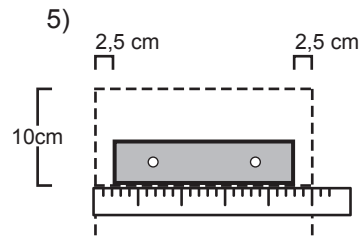
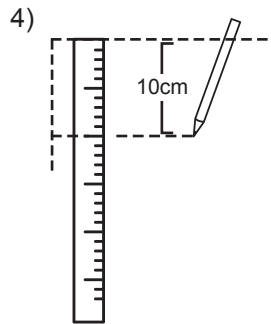
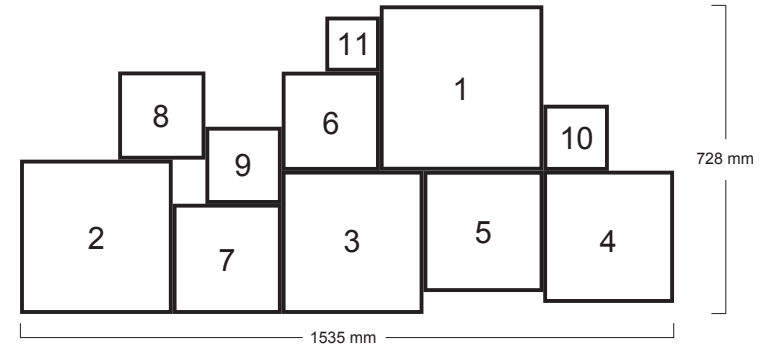
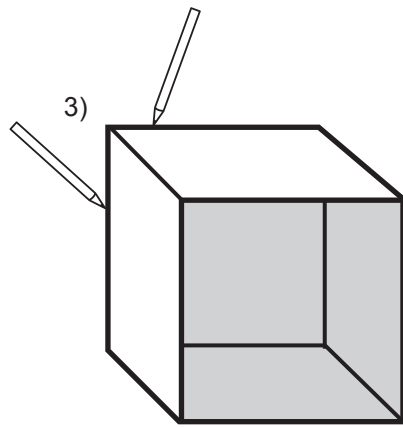
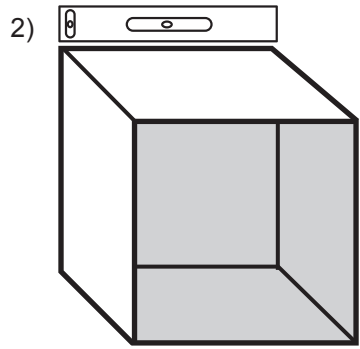
Front



Back



Examples of ways to mount the boxes:



See further mounting suggestions and our assembly movie on www.okdesign.dk and [youtube.com/OKDsign](https://www.youtube.com/OKDsign).