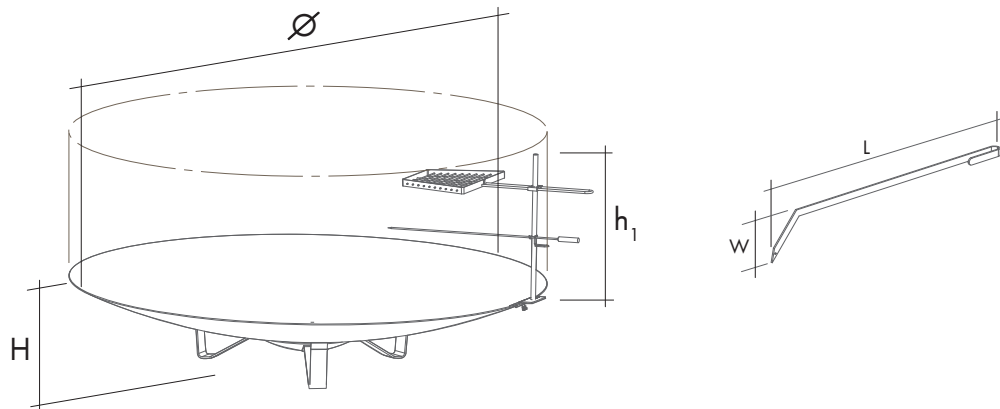


# n° 10 qrater

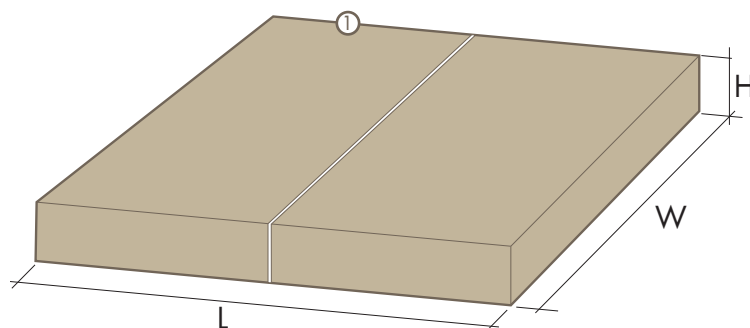
## technical sheet

The content of this document, in particular the mentioned models, is protected by copyrights and/or design rights. The present document and its content is communicated to you for information purposes only. Any partial or total reproduction or any other use without our prior written permission is strictly prohibited. This technical sheet remains subject to possible changes. All dimensions are in mm, unless mentioned otherwise. Extremis is not responsible for the errors in the documentation of products. All measurements are approximate and are provided for informational purposes only.

Version 20111212

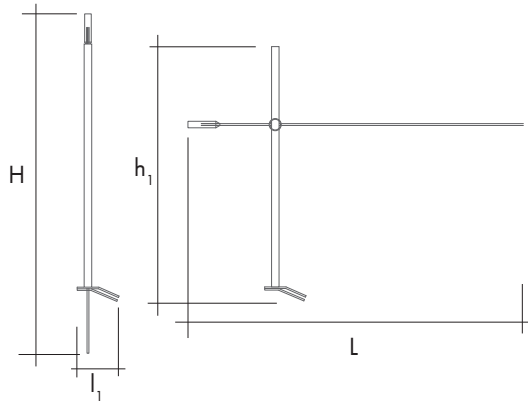


product dimensions (mm)	Ø	H	h <sub>1</sub>	L	W
qrater	1460	233	450	-	-
poker	-	-	-	800	131

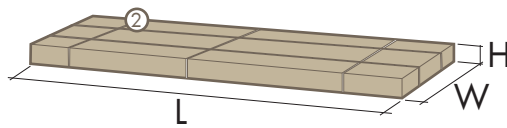


box dimensions (mm)	L	W	H	qty (#)	volume (m <sup>3</sup> )	gross weight (kg)	net weight (kg)	packaging weight (kg)
box 1: qrater + poker	1460	1460	105	1	0,224	51,7	46,5	5,3

OPTIONAL STANDARD

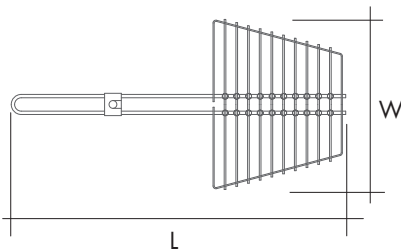


product dimensions (mm)	L	H	l <sub>1</sub>	h <sub>1</sub>
standard	629	629	77	473

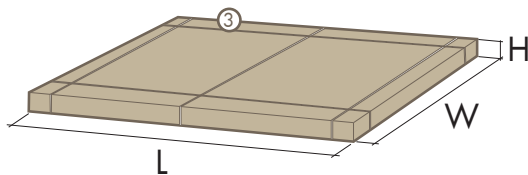


box dimensions (mm)	L	W	H	qty (#)	volume (m <sup>3</sup> )	gross weight (kg)	net weight (kg)	packaging weight (kg)
box 2: standard	670	110	100	1	0,007	0,9	0,4	0,5

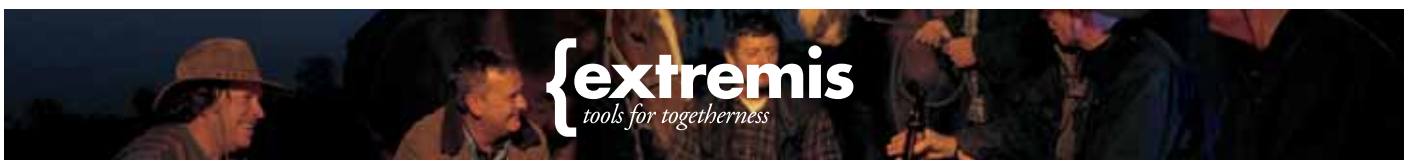
OPTIONAL GRILL



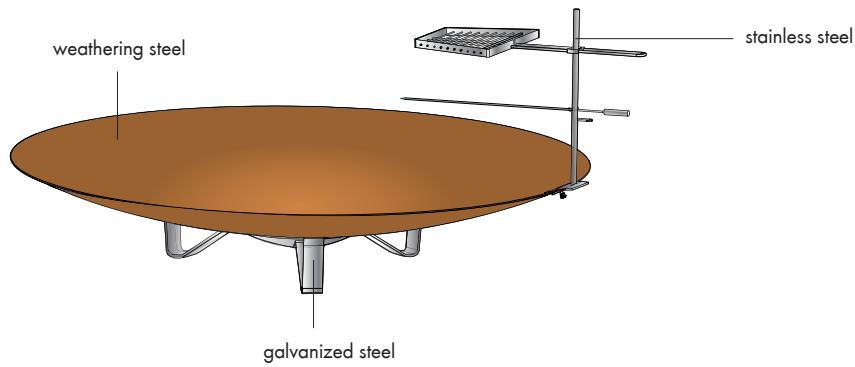
product dimensions (mm)	L	W
grill	600	305






box dimensions (mm)	L	W	H	qty (#)	volume (m <sup>3</sup> )	gross weight (kg)	net weight (kg)	packaging weight (kg)
box 3: grill	615	320	38	1	0,007	1,3	0,8	0,5

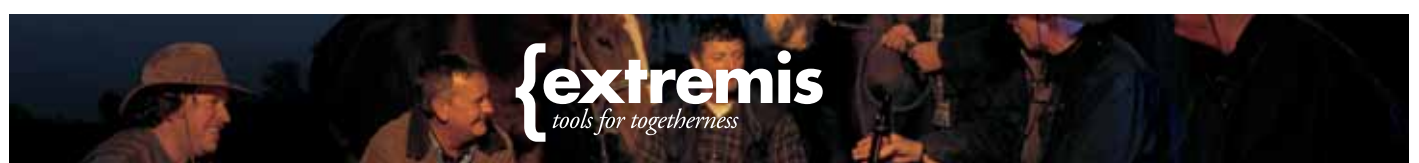


MATERIALS



materials	key facts	thickness mm	layer thickness micron	density 10 <sup>3</sup> kg/m <sup>3</sup>	in/out- door	water	UV colour fastness	flame retarding
Galvanized steel 	<ul style="list-style-type: none"> <li>- most durable method for protecting metal from rusting</li> <li>- very long life span</li> <li>- can perfectly be recycled</li> </ul>	3 - 5	50 - 100	7,7	outdoor & indoor	n.a.	very good: galvanisation will however become dull when used outdoors	NEN-EN13501-1 A1*
Weathering steel 	<ul style="list-style-type: none"> <li>- special type of weathering resistant metal</li> <li>- same characteristics as regular steel</li> <li>- reacts to erosion</li> <li>- covers itself with a protective layer of rust (platinum layer)</li> <li>- can be left outside</li> </ul>	3	n.a.	7,8	outdoor	n.a.	very good	NEN-EN13501-1 A1*
Stainless steel 	<ul style="list-style-type: none"> <li>- high rusting resistance</li> <li>- periodical maintenance</li> </ul>	2 - 14	n.a.	8,0	outdoor & indoor	n.a.	very good	NEN-EN13501-1 A1*

\* NEN-EN13501-1 A1: Class A1 products will not contribute in any stage of the fire including the fully developed fire. For that reason they are assumed to be capable of satisfying automatically all requirements of all lower classes.



## APPLICATIONS

Garden campfire.  
As a welcome at a party.

## GOOD TO KNOW

Use extreme dry wood, so that your campfire doesn't smoke.

There is a small gap in the crater which enables the (rain)water to evacuate.

## INSTRUCTIONS

Throw away the excess ashes only when it's completely cold. If not, you have to purchase a new garbage can.

To grill: turn the angle to the side of the crater and grill above the hot ashes

## F.A.Q.

*Q: Crater on terrace: will the rust drip on the terrace?*

A: Once weathering steel has reached its rust layer the rusting process will stop and no rust will fall on the floor. Weathering steel is also used for bridges.

*Q: Crater on grass: will the grass get damaged?*

A: Due to the heat the grass could scorch locally. Therefore, we advise to put the crater regularly on a different place, so that the grass has the necessary time to recover.

## ASSEMBLY

1. Fit the 3 feet to the small dish using the appropriate bolts and nuts, creating the crater pedestal base. Position the large dish in the middle of the pedestal.

2. Make sure the hollow side of the small dish is facing upwards to collect the rainwater from the crater.

## AWARDS



## MAINTENANCE

Check: [www.extremis.be/tools/qcrater](http://www.extremis.be/tools/qcrater)